

Madison, Wisconsin

# CITY OF MADISON

## CITY ENGINEERING DIVISION

### DEPARTMENT OF PUBLIC WORKS


#### PLAN OF PROPOSED IMPROVEMENT

PUBLIC IMPROVEMENT PROJECT APPROVED

JANUARY 8, 2013

BY THE COMMON COUNCIL  
OF MADISON, WISCONSIN

PUBLIC IMPROVEMENT DESIGN  
APPROVED BY:

 2/13/13  
City Engineer Date

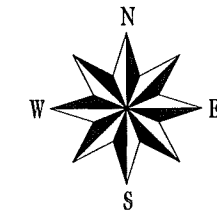
INDEX OF SHEETS


SHEET NO. 1	Title Page
SHEET NO. 2	Landscape Plan
SHEET NO. 3	Landscape Plan
SHEET NO. 4	Landscape Plan
SHEET NO. 5	Landscape Plan
SHEET NO. 6	Landscape Plan
SHEET NO. 7	Landscape Plan
SHEET NO. 8	Landscape Plan
SHEET NO. 9	Enlarged Planting Plans and Details
SHEET NO. 10	Enlarged Planting Plans and Details
SHEET NO. 11	Enlarged Planting Plans and Details
SHEET NO. 12	Median and Tree Planting Details
SHEET NO. 13	Tree, Shrubs, and Perennial Schedule
SHEET NO. 14	Tree, Shrubs, and Perennial Schedule
SHEET NO. 15	Tree, Shrubs, and Perennial Schedule
SHEET NO. 16	Tree, Shrubs, and Perennial by Location
SHEET NO. 17	Tree, Shrubs, and Perennial by Location

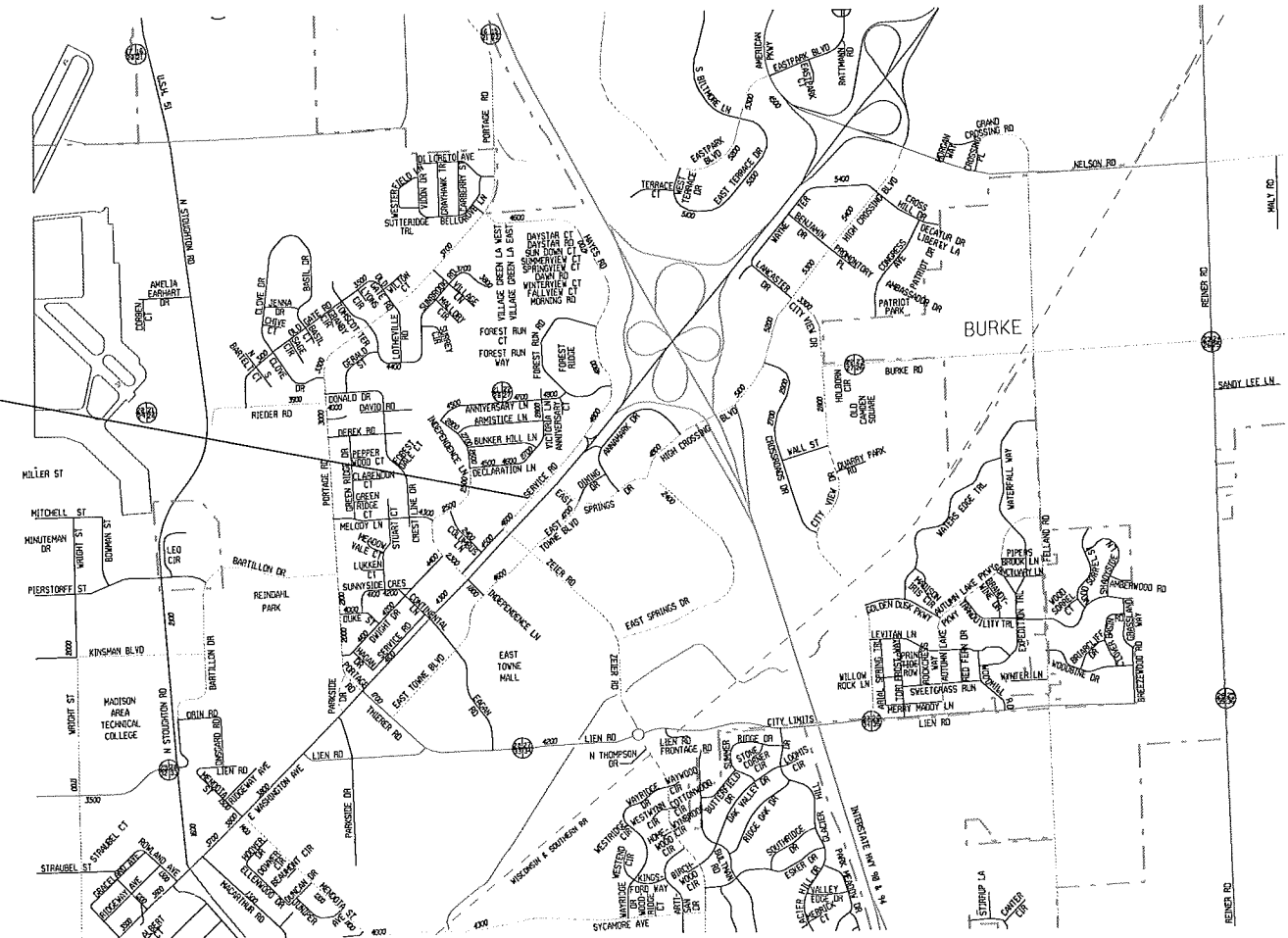
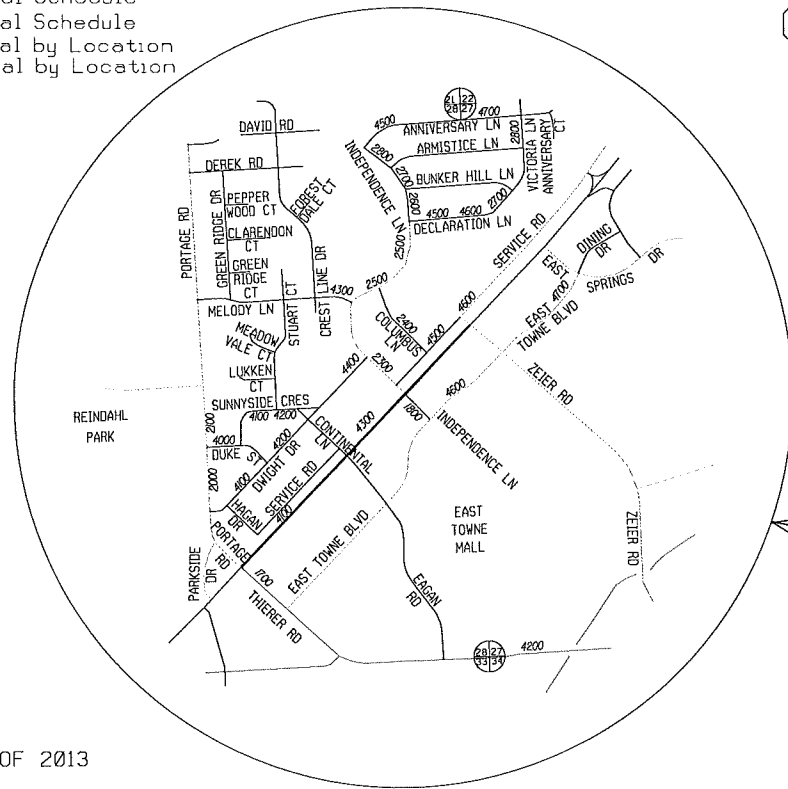
## EAST WASHINGTON AVENUE LANDSCAPING

CITY PROJECT NO. 53W1545

CONTRACT NO. 6979



CONVENTIONAL SIGNS	
FIELD VERIFY ALL UTILITY LOCATIONS	
GAS	— G —
STORM SEWER	— ST —
SANITARY SEWER	— SAN —
WATER	— W —
OVERHEAD ELECTRIC	— OH —
POWER POLE	□
ADA COMPLIANT RAMP W/ DETECTABLE WARNING FIELD	□
COMBUSTIBLE FLUIDS	

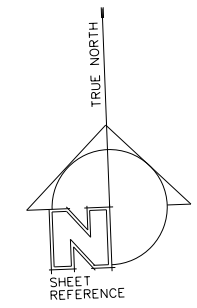


NOTES:

ALL WORK TO BE DONE IN THE SPRING OF 2013

### PROJECT LOCATION

EXCAVATION CUT (MEASURE PLAN QUANTITIES).....	325.00 C.Y.
REPLACEMENT OF ENGINEERED TOPSOIL.....	295.00 C.Y.
CRUSHED AGGREGATE BASE COARSE .....	65 Ton
NEW ARCHITECTURAL COLORED CONCRETE PAVEMENT.....	1,400.00 SQ. FT.
INSTALLATION OF NEW HARDWOOD MULCH PLACE AT A DEPTH OF 3" ...	26.00 C.Y.



SCALE 1" = 40'

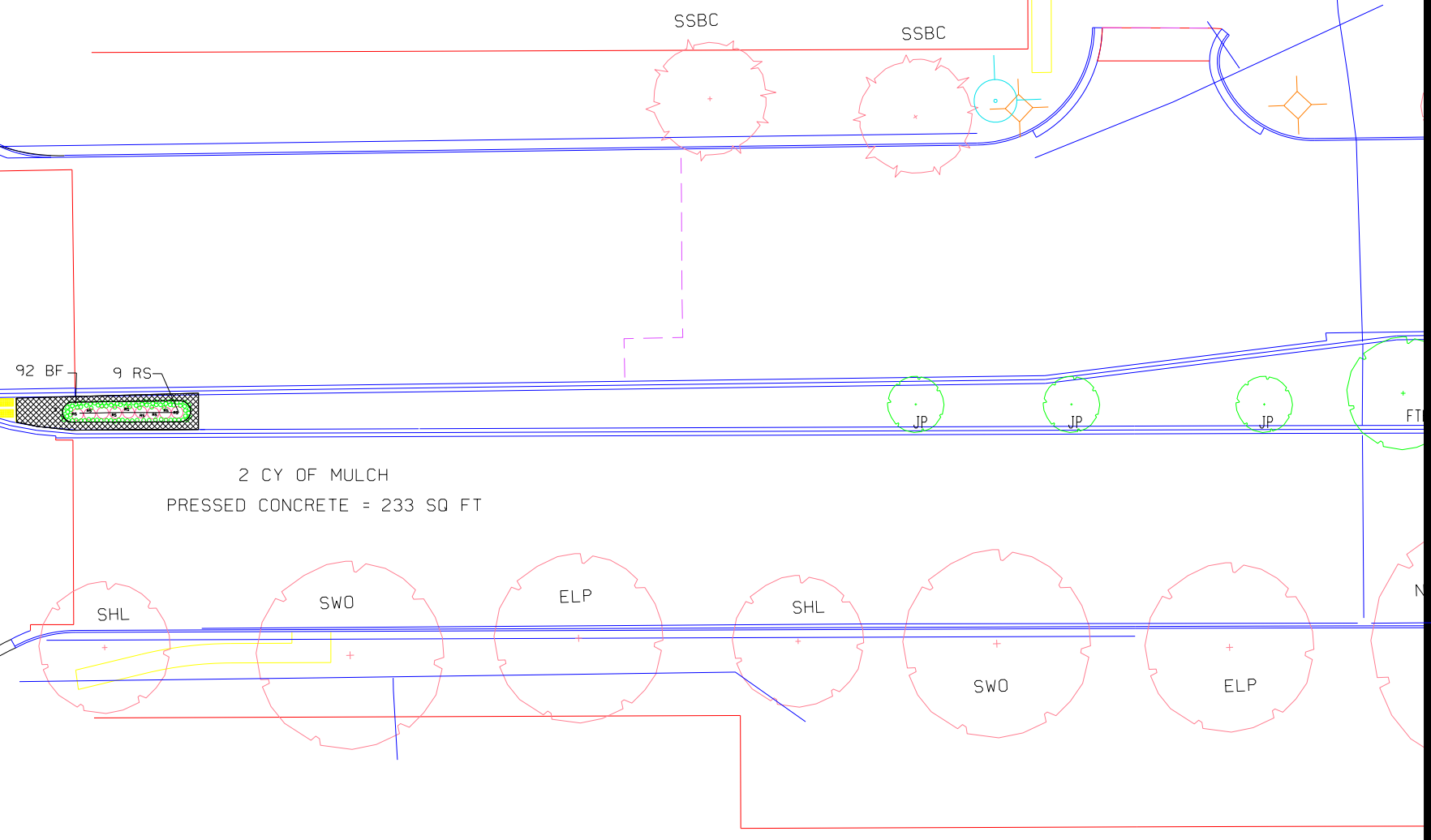
PORTAGE RD.

HAGAN RD.

U.S.H. 151/E. WASHINGTON AVE.

U.S.H. 151/E. WASHINGTON AVE.

THIERER RD.



92 BF  
9 RS

2 CY OF MULCH  
PRESSED CONCRETE = 233 SQ FT

SHL

SWO

ELP

SHL

SWO

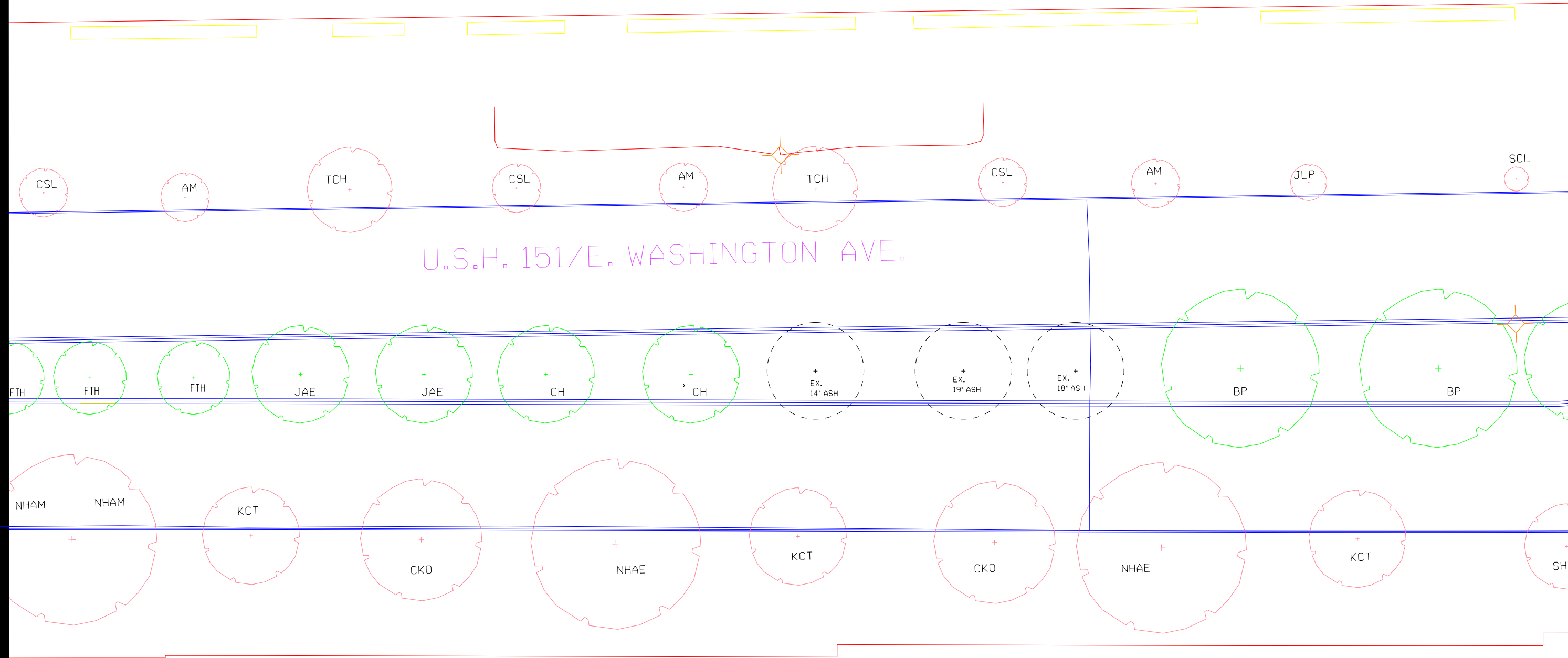
ELP

JP

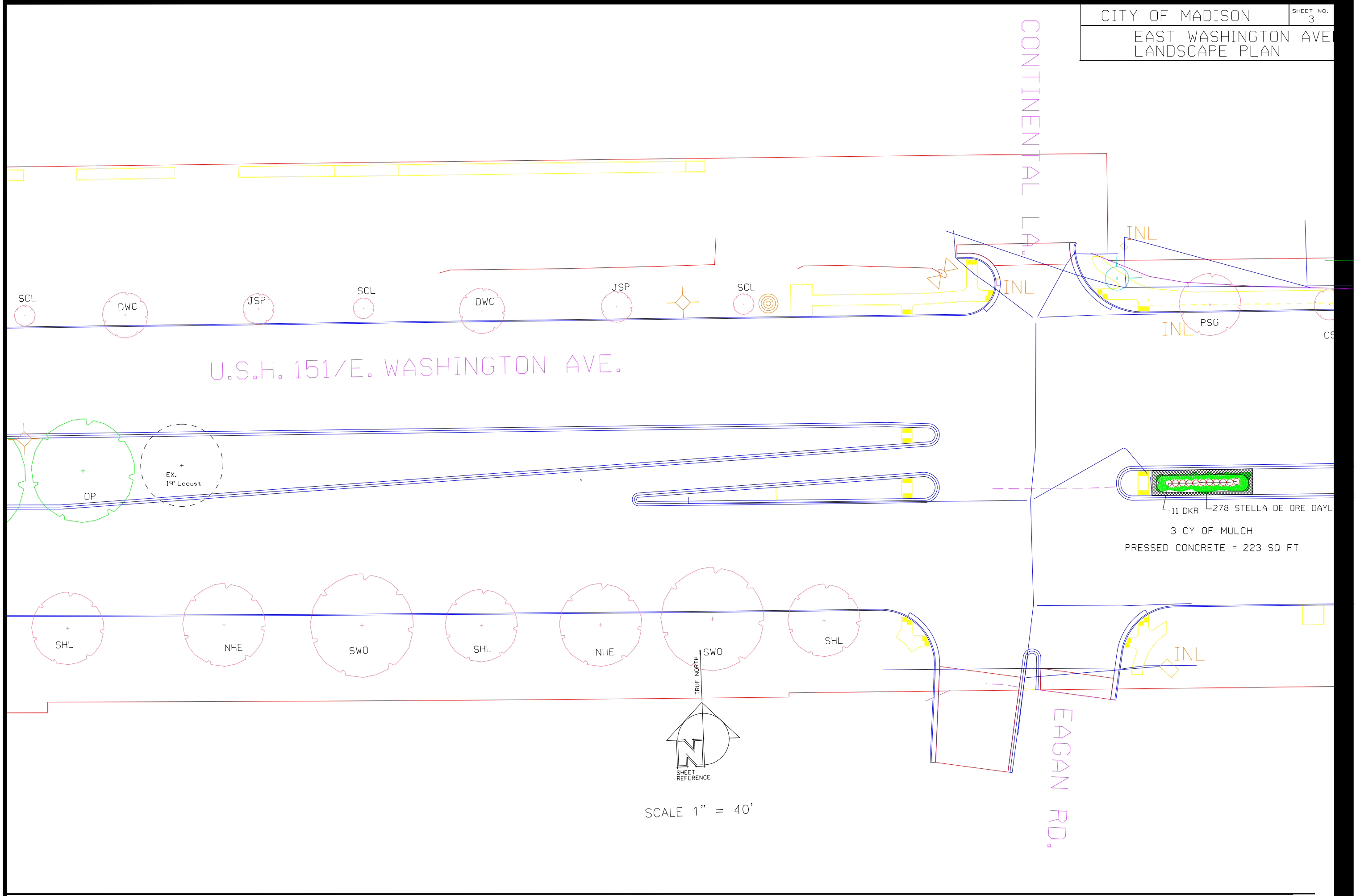
JP

JP

FT



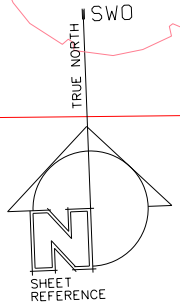
EAST WASHINGTON AVE LANDSCAPE PLAN



U.S.H. 151/E. WASHINGTON AVE.

CONTINENTAL LA.

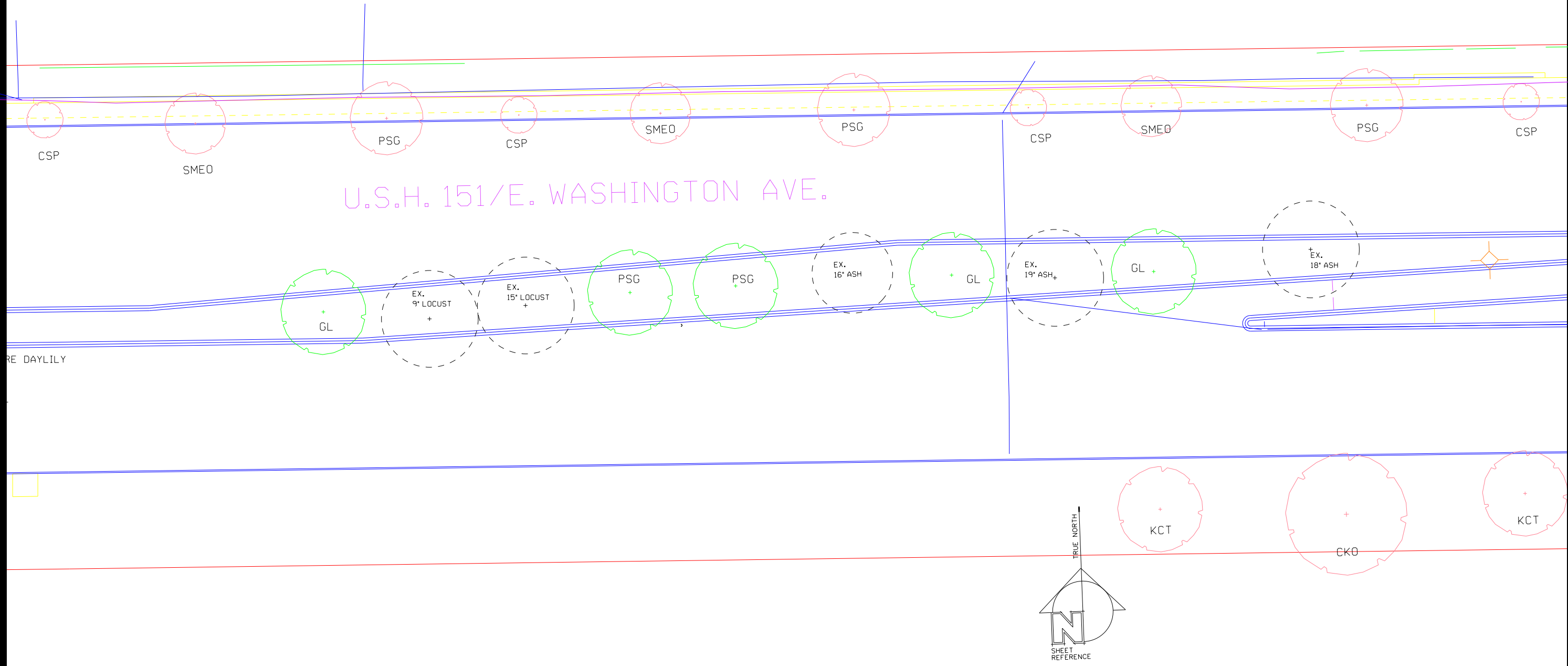
EAGAN RD.



SCALE 1" = 40'

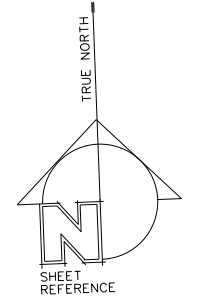
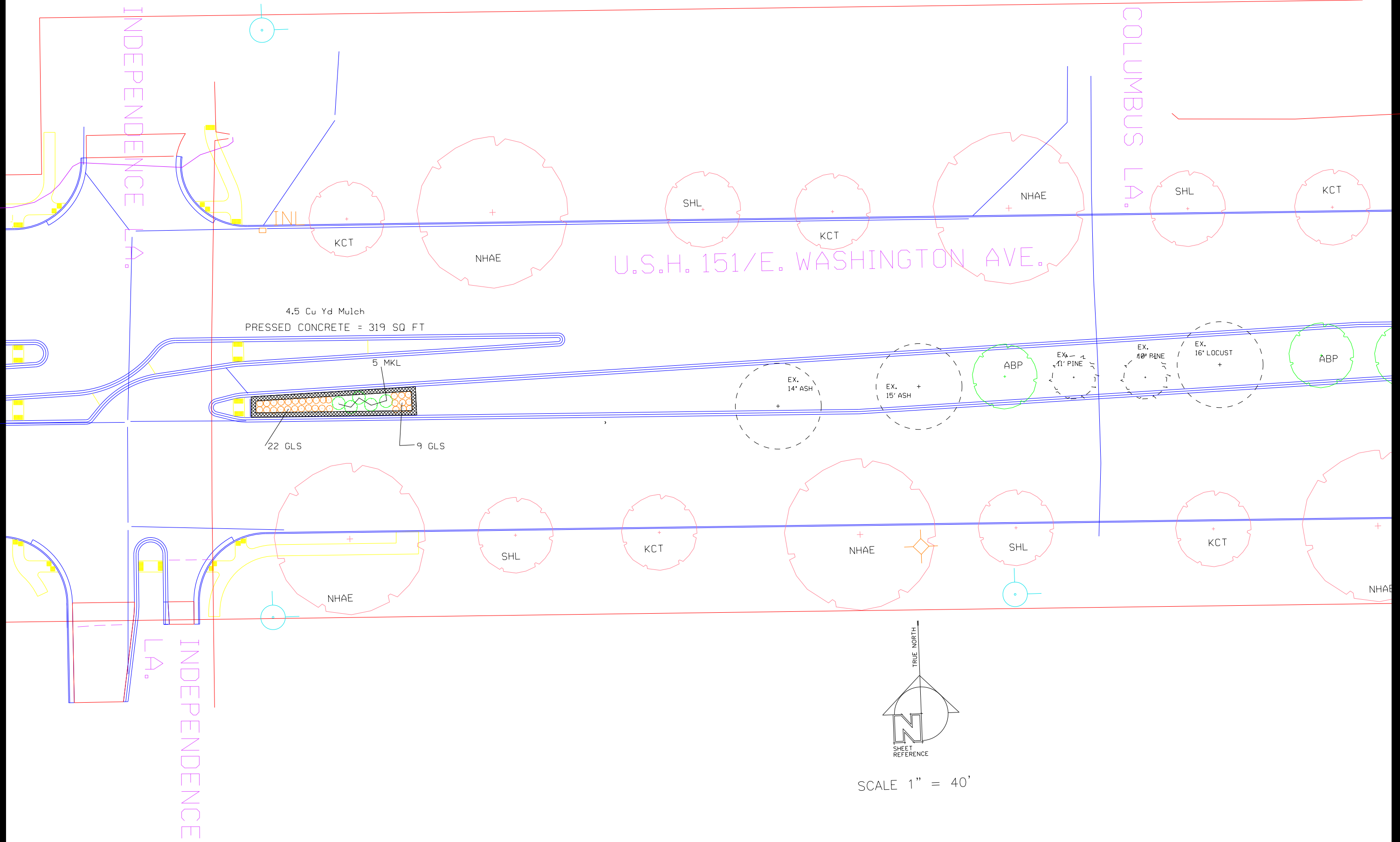
11 DKR 278 STELLA DE ORE DAYL  
3 CY OF MULCH  
PRESSED CONCRETE = 223 SQ FT

U.S.H. 151/E. WASHINGTON AVE.

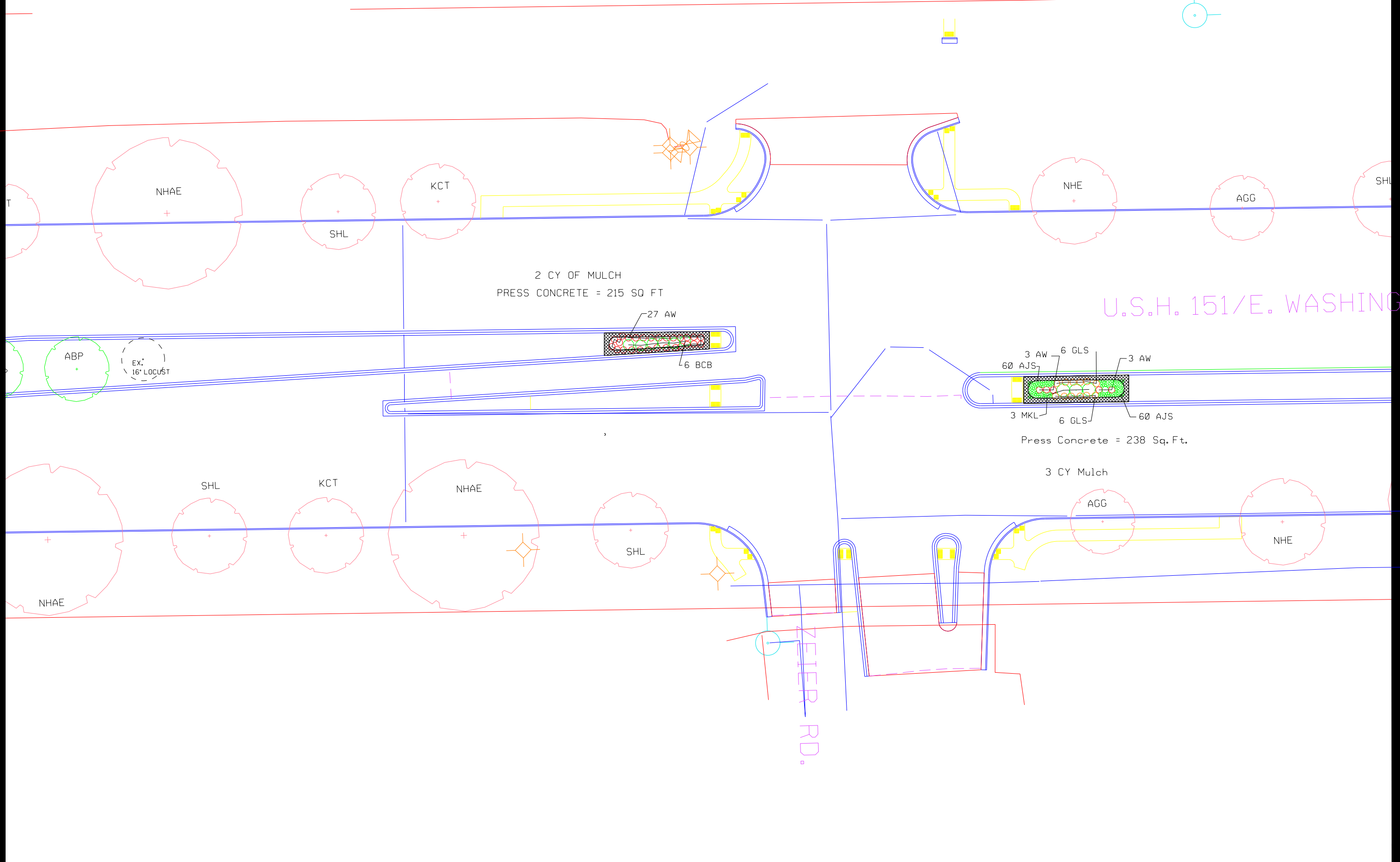


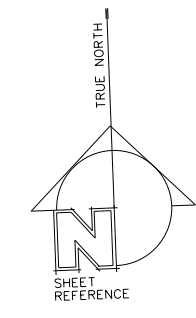
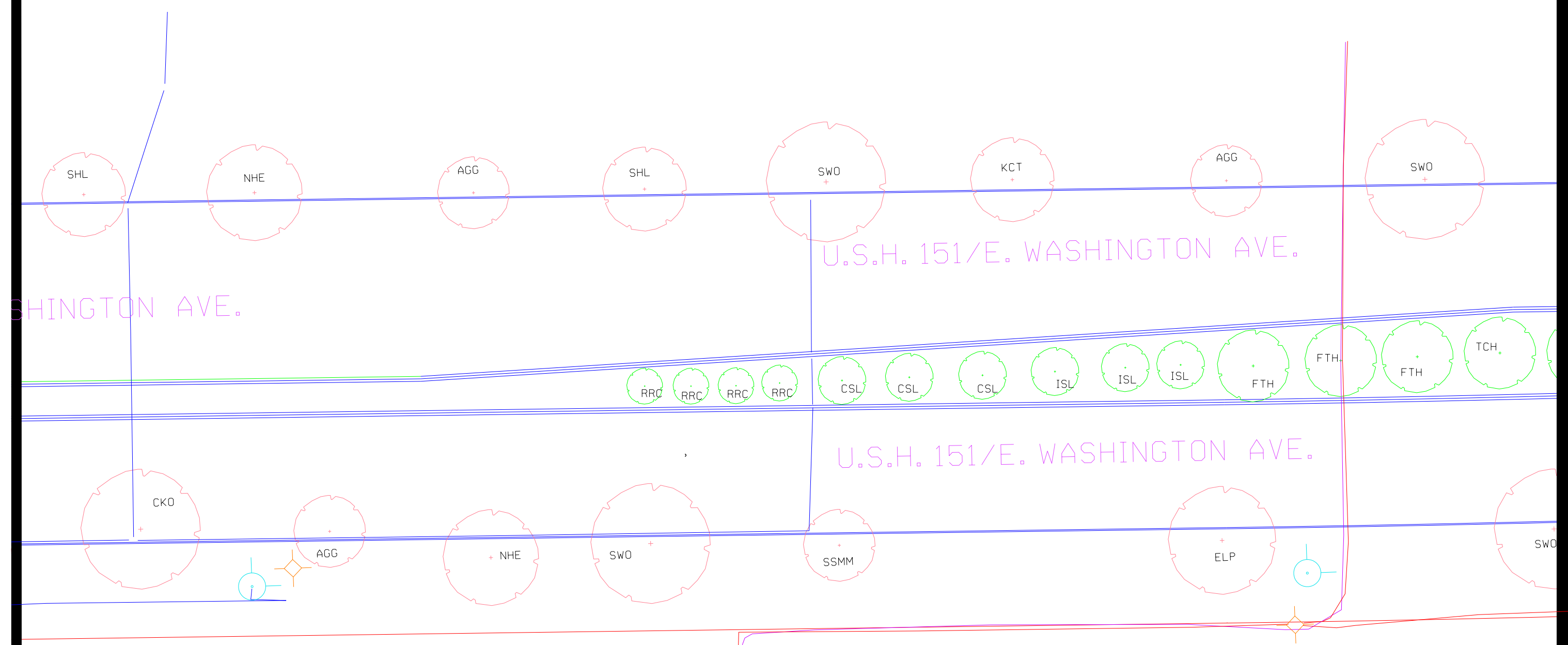
RE DAYLILY

SCALE 1" = 40'



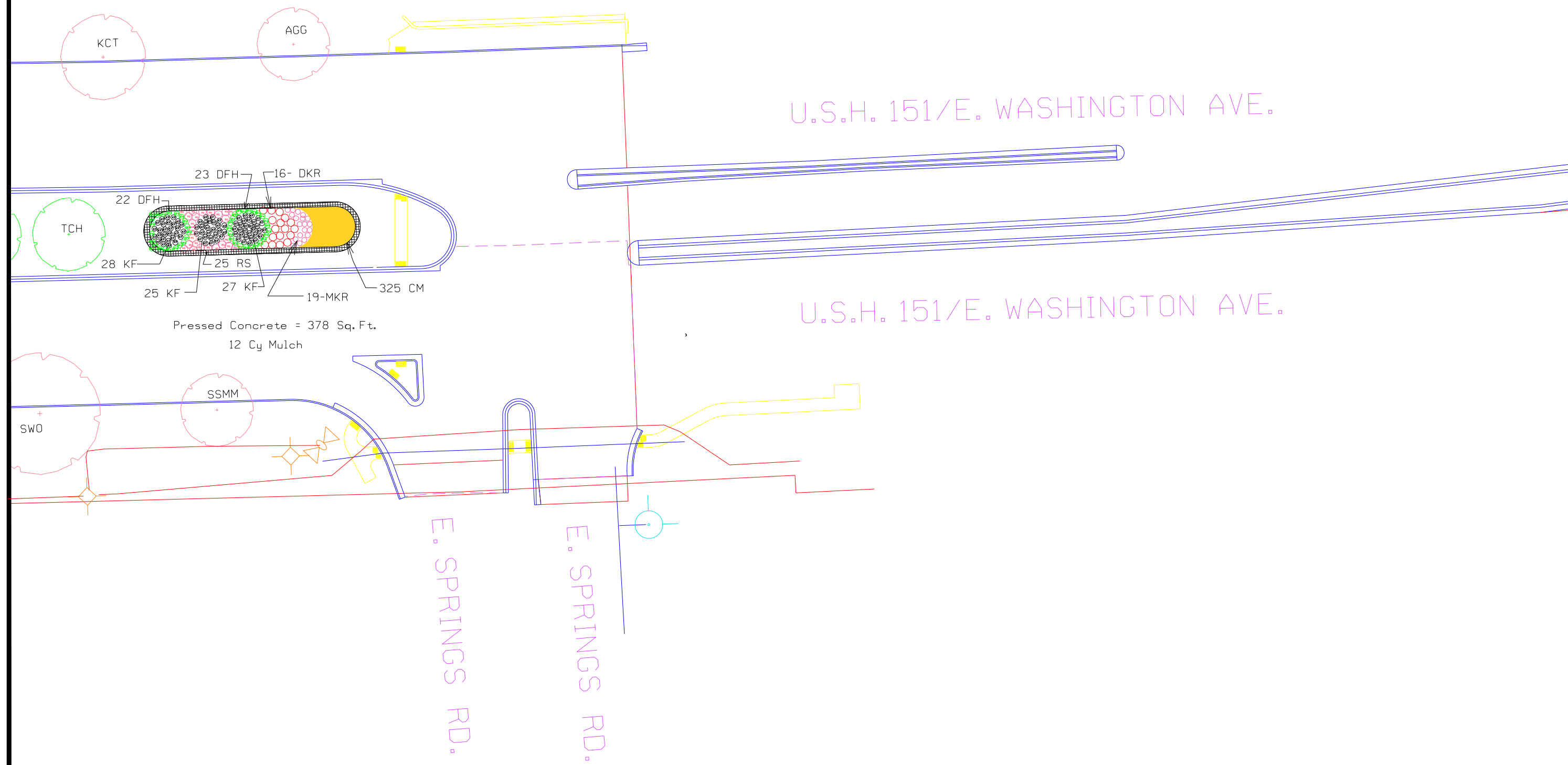
SCALE 1" = 40'

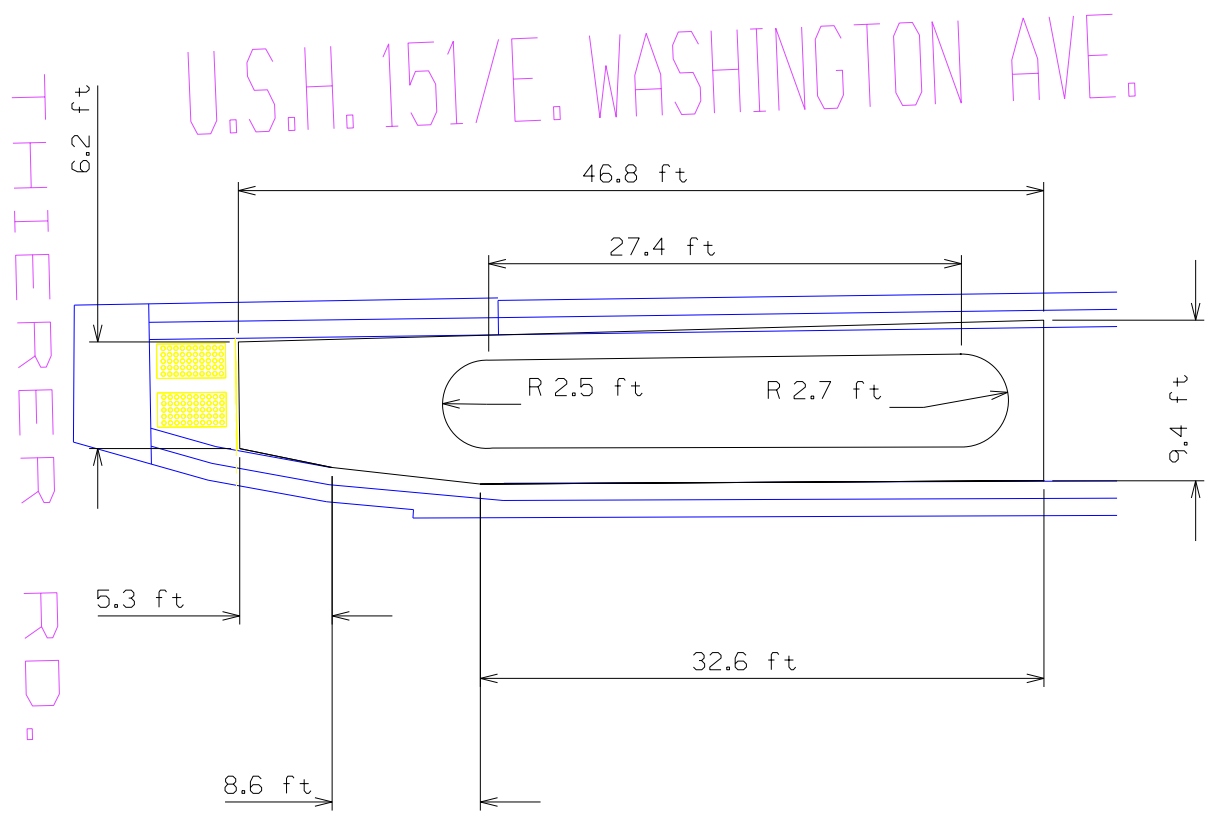
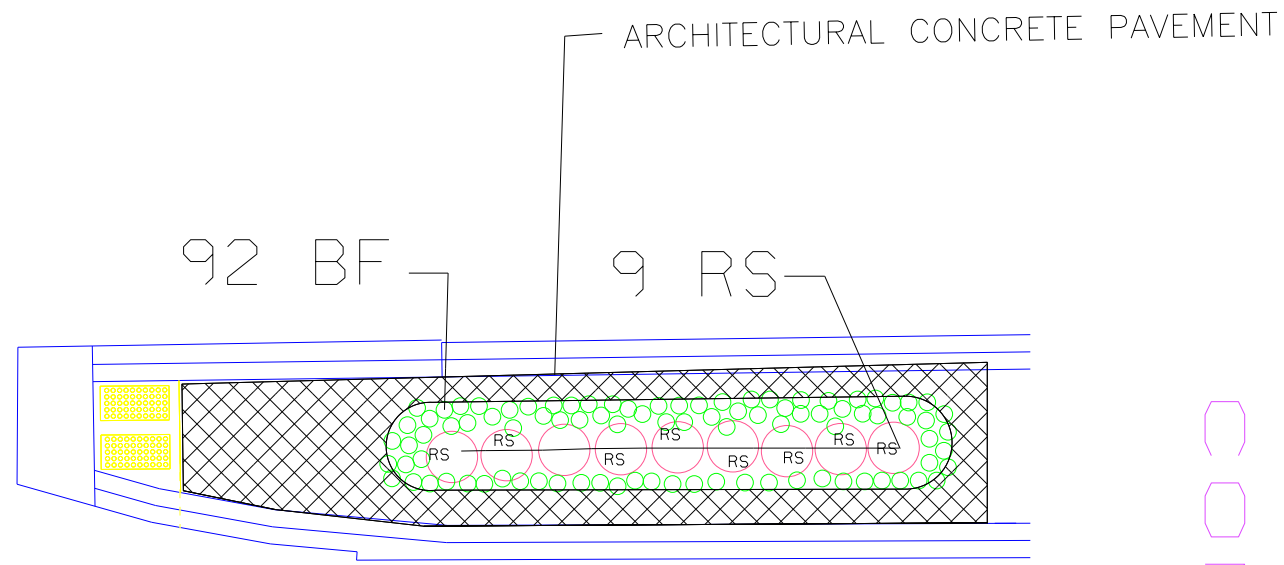




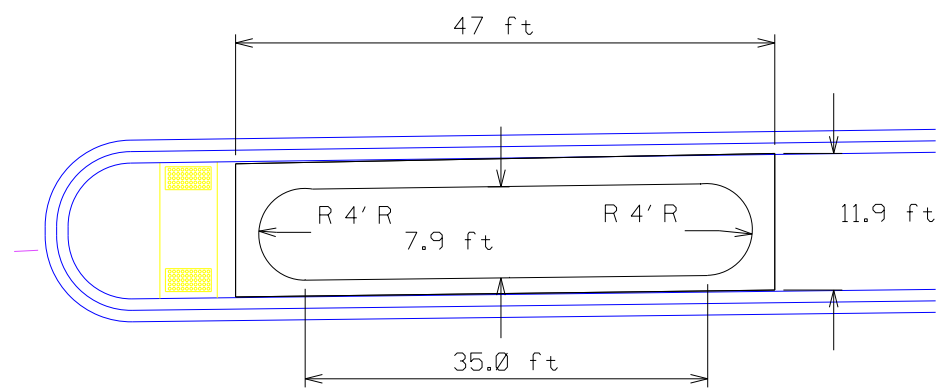
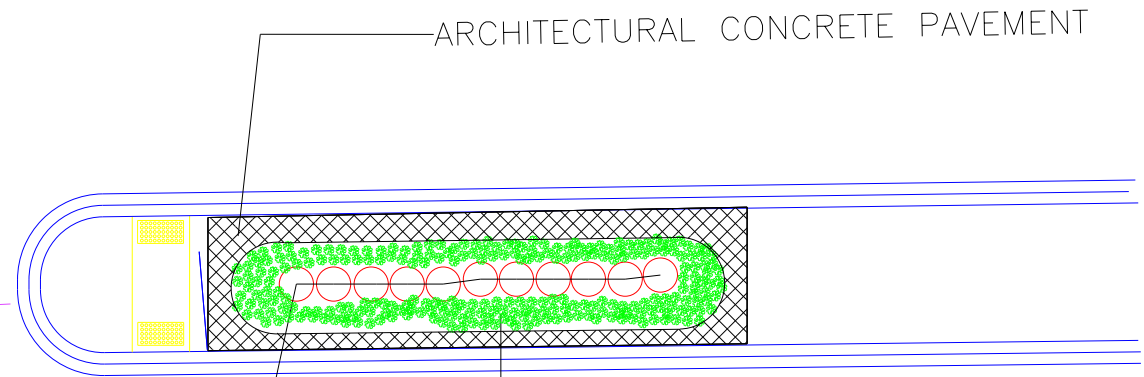
SCALE 1" = 40'







E. Washington Avenue - Thierer Rd. to Eagan Rd.  
NOT DRAWN TO SCALE



BED DIMENSIONS

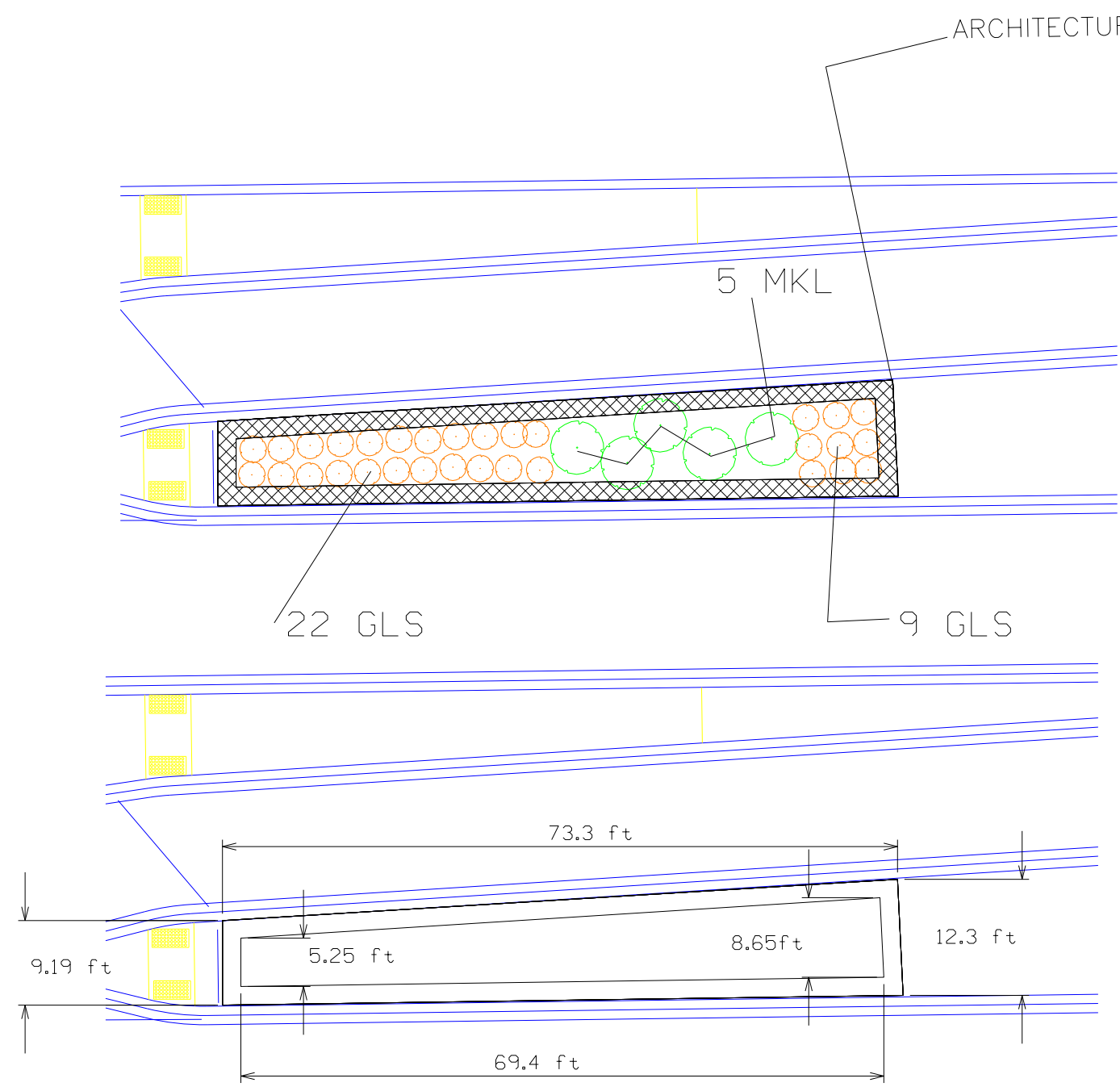
E. Washington Avenue - Continental La./Eagan Rd. to Independence La.  
NOT DRAWN TO SCALE

LEVELS ON - 1,2,3,4,5,6,7,8,9,10,11,12,13,14,15,16,17,18,19, 21,22,23,24,25,26,27,28,29,30,31,32,33,34,35,36,37,38,39,40, 42,43,44,45,46,47,48,49,50,51,52,53,54,55,56,57,58,59,60,61,62,63

EAST WASHINGTON AVENUE  
LANDSCAPE DETAIL PLAN

Press Concrete = 222 Sq.Ft.  
3 CY Mulch

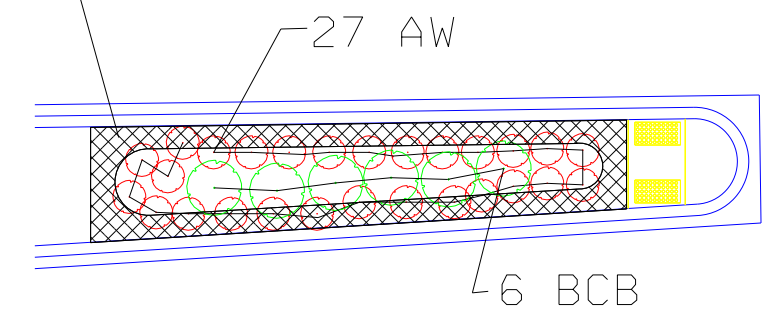
ARCHITECTURAL CONCRETE PAVEMENT



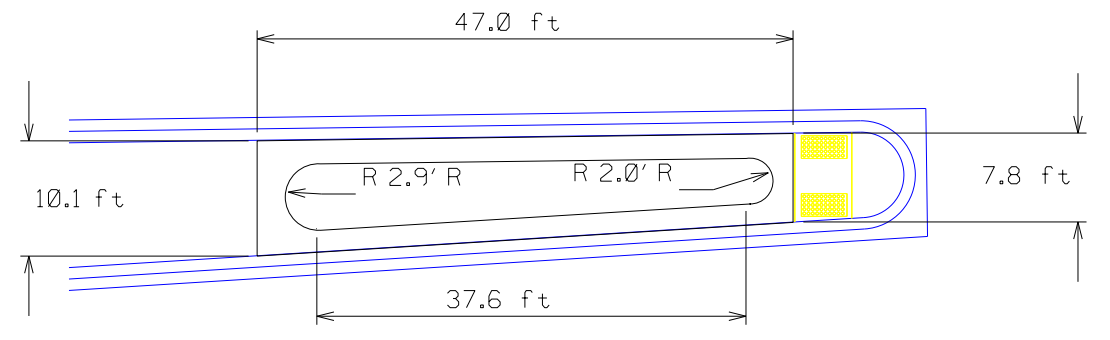
BED DIMENSIONS

E. Washington Avenue - Continental La./Eagan Rd. to Columbus La.

NOT DRAWN TO SCALE



PLANTING SCHEME



BED DIMENSIONS

E. Washington Avenue - Columbus La. to Zeier Rd.

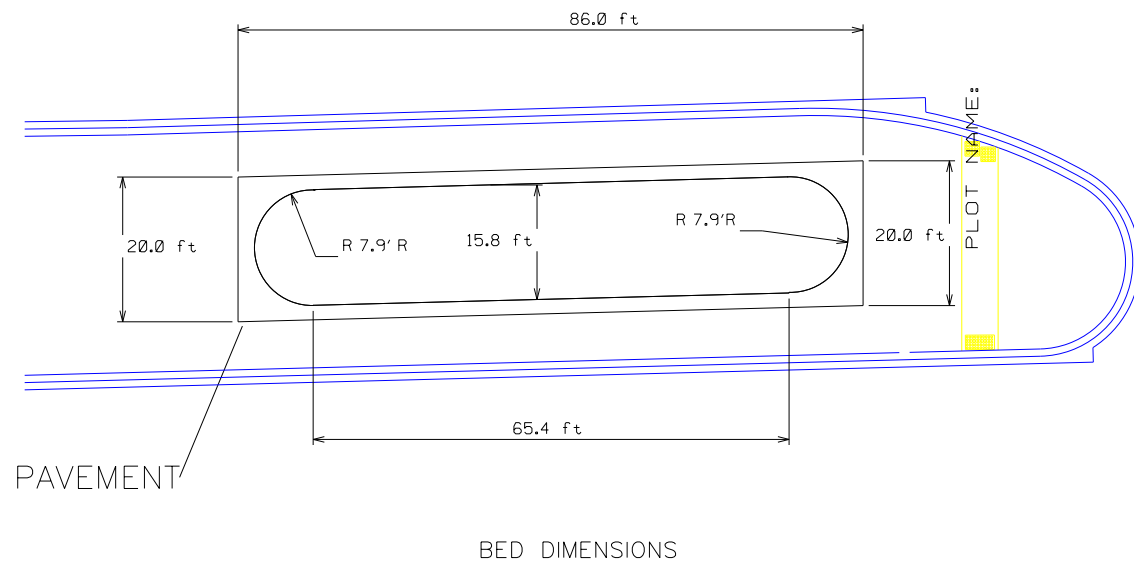
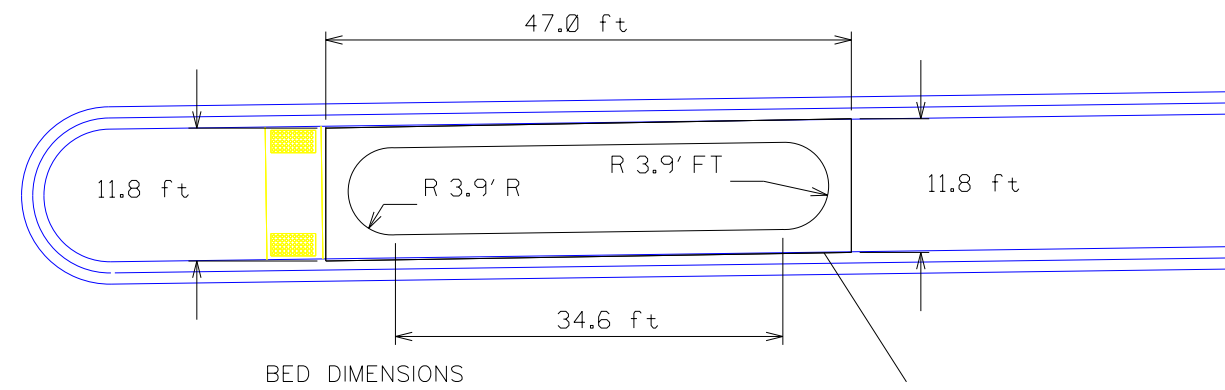
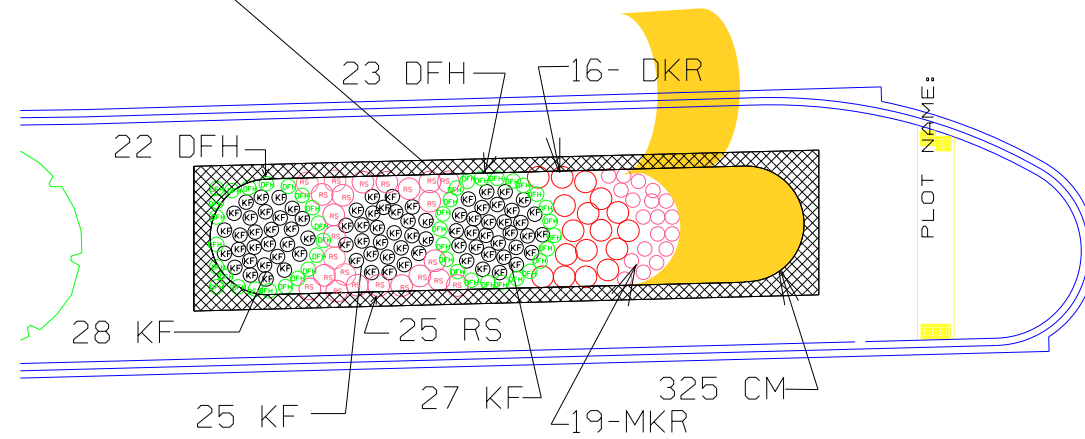
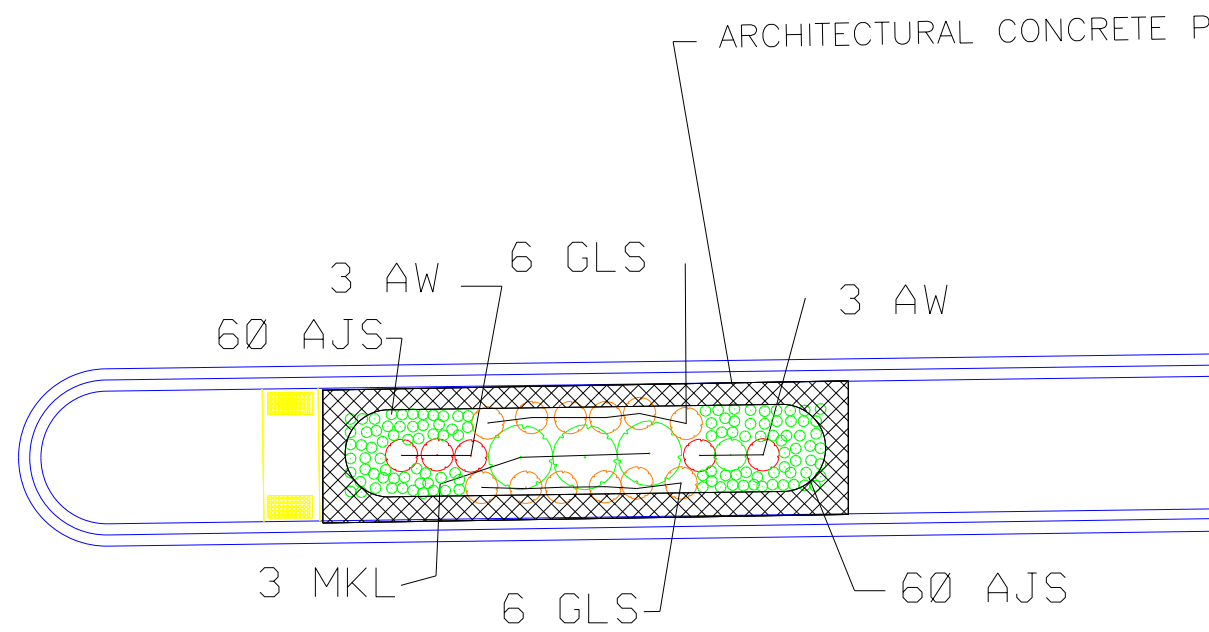
NOT DRAWN TO SCALE

LEVELS ON - 1, 2, 3, 4, 5, 6, 7, 8, 9, 10, 11, 12, 13, 14, 15, 16, 17, 18, 19, 21, 22, 23, 24, 25, 26, 27, 28, 29, 30, 31, 32, 33, 34, 35, 36, 37, 38, 39, 40, 42, 43, 44, 45, 46, 47, 48, 49, 50, 51, 52, 53, 54, 55, 56, 57, 58, 59, 60, 61, 62, 63

LEVELS ON - 1, 2, 3, 4, 5, 6, 7, 8, 9, 10, 11, 12, 13, 14, 15, 16, 17, 18, 19, 21, 22, 23, 24, 25, 26, 27, 28, 29, 30, 31, 32, 33, 34, 35, 36, 37, 38, 39, 40, 42, 43, 44, 45, 46, 47, 48, 49, 50, 51, 52, 53, 54, 55, 56, 57, 58, 59, 60, 61, 62, 63

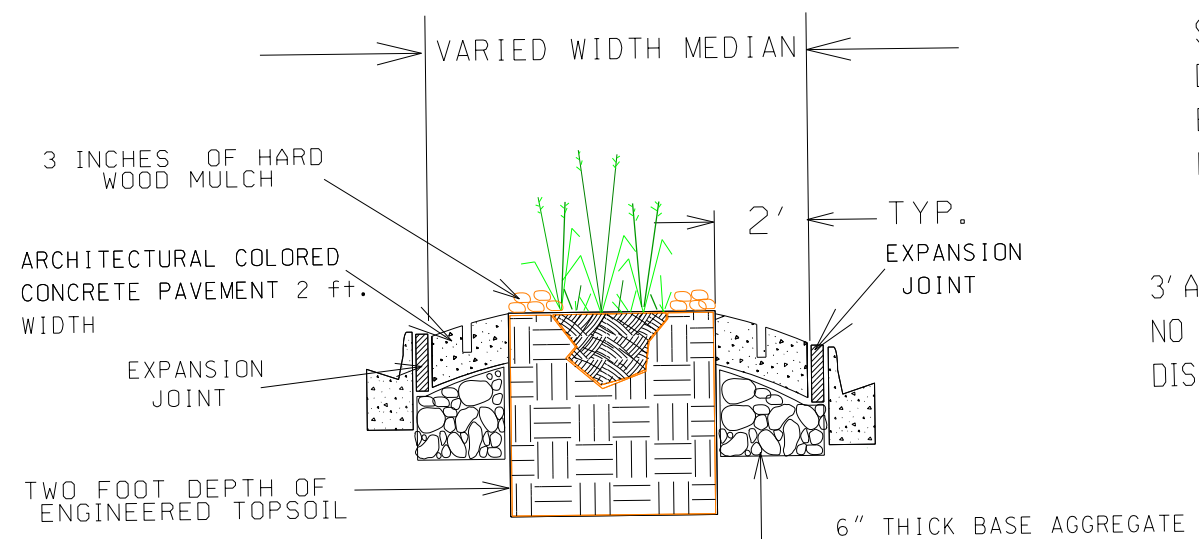
ZEIER ROAD

E. SPRINGS RD.



E. Washington Avenue -Zeier Road to East Spring Dr.

NOT DRAWN TO SCALE

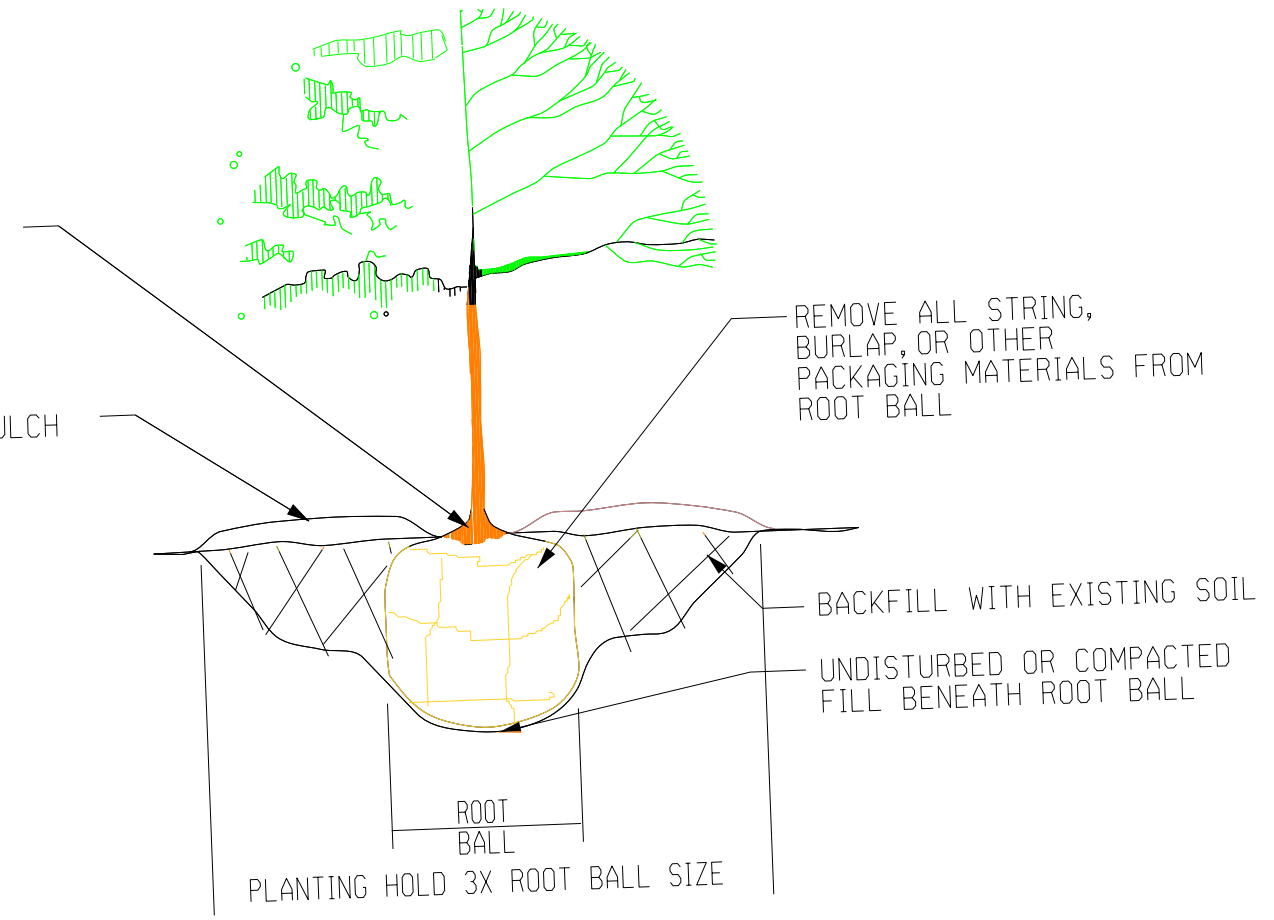


SECTION A - A (VARIED WIDTH MEDIAN)

Not To Scale

ROOT FLARE MUST BE EXPOSED AND SLIGHTLY ABOVE FINISH GRADE. DO NOT PLACE FILL ON TOP OF ROOT BALL; REMOVE SOIL FROM TOP OF ROOT BALL IF NECESSARY.

3' AVERAGE DEPTH SHREDDED HARDWOOD MULCH NO THICKER THAN 1" NEXT TO TRUNK AND DISHED AWAY.



TREE PLANTING

NOT TO SCALE

LEVELS ON - 1, 2, 3, 4, 5, 6, 7, 8, 9, 10, 11, 12, 13, 14, 15, 16, 17, 18, 19, 20, 21, 22, 23, 24, 25, 26, 27, 28, 29, 30, 31, 32, 33, 34, 35, 36, 37, 38, 39, 40, 41, 42, 43, 44, 45, 46, 47, 48, 49, 50, 51, 52, 53, 54, 55, 56, 57, 58, 59, 60, 61, 62, 63

REVISED 10/24/2012		<b>CONTRACT # 6979</b>		<b>EAST WASHINGTON AVENUE MEDIAN AND TERRACE TREES AND SHRUBS SCHEDULE</b>											<b>SHT. 13</b>	
<b>S Y M B O L</b>	<b>PLANT NAME</b>	<b>SCIENTIFIC NAME</b>	<b>MATURE HEIGHT</b>	<b>MATURE SPREAD</b>	<b>CALIPER, HGT., SPREAD, SIZE</b>	<b>B &amp; B</b>	<b>P O T T D</b>	<b>B R</b>	<b>S T A K E</b>	<b>W R A P</b>	<b>B U L B S</b>	<b>P R O T E C T I O</b>	<b>S P R I N G</b>	<b>F A L L</b>	<b>Q t y</b>	
<b>TREES</b>																
PSG	Princeton Sentry Ginkgo	Ginkgo biloba 'Princeton Sentry'	45'	30'	2.5"	X				X		X		X	6	
FTH	Ft Mc Nair Horsechestnut	Aesculus x carnea 'Fort McNair'	40'	40'	2.5"	X				X		X		X	6	
H	Chicagoland Hackberry	Celtic occidentalis 'Chicagoland'	60'	45'	2.5"	X				X		X		X	2	
TCH	Thornless Cockspur Hawthorn	Crataegus crusgalli (Crusgalli inermis)	25'	25'	2.5"	X				X		X		X	4	
RRC	Royal Raindrops Crabapple	Malus 'Royal Raindrops'	20'	15'	2.0"	X				X		X		X	4	
BP	London Planetree 'Bloodgood'''	Platanus x acerifolia 'Bloodgood'	80'	65'	2.5"	X				X		X		X	2	
OP	London Planetree "Ovation"	Platanus x acerifolia x hispanica 'Ovation'	60'	50'	2.5"	X				X		X		X	1	
ABP	Autumn Blaze Pear	Pyrus calleryana 'Autumn Blaze'	35'	30'	1.5"	X				X		X		X	3	
JP	'Jack' Pear	Pyrus calleryana 'Jaczam'	16'	10'	1.5"	X				X		X		X	3	
CSL	China Snow Peking Lilac	Syringa pekinensis 'China Snow"	20'	20'	2.0"	X				X		X		X	6	
ISL	Ivory Silk Japanese Tree Lilac	Syringa reticulata " Ivory Silk"	30'	20'	2.0"	X				X		X		X	3	
GLL	Glenleven Linden	Tilia x flavescens 'Glenleven'	51'	30'	2.0"	X				X		X		X	3	
JAE	Jefferson American Elm	Ulmus americana 'Jefferson'	55'	40'	2.5"	X				X		X		X	2	
<b>PAGE SUBTOTAL</b>															45	

REVISED 01/03/2013		CONTRACT # 6979	EAST WASHINGTON AVENUE MEDIAN AND TERRACE TREES AND SHRUBS SCHEDULE											SHT. 14	
S Y M B O L	PLANT NAME	SCIENTIFIC NAME	MATURE HEIGHT	MATURE SPREAD	CALIPER, HGT., SPREAD, SIZE	B & B	P O T T E D	B R	S T A K E	W R A P	B U L B S	P R O D U C T I O N	S P R I N G	F A L L	Q t y
<b>TREES</b>															
SMMC	State Street Miyabe Maple	<i>Acer miyabei</i> 'State Street'	45	30	2.5"	X				X		X	X		2
AGG	Autumn Gold Ginkgo	<i>Ginkgo biloba</i> 'Autumn Gold'	50	30	2.5"	X				X		X	X		6
SHL	Skyline Honeylocust	<i>Gleditsia triacanthos</i> 'Skycole'	50	35	2.5"	X				X		X	X		14
SHL	Kentucky Coffeetree	<i>Gymnocladud dioicus</i>	60	40	2.5"	X				X		X	X		14
AM	Amur Maackia	<i>Maackia amurensis</i>	25'	20'	2.5"	X				X		X	X		3
DWC	Donald Wyman Crabapple	<i>Malus</i> 'Donald Wyman'	20	22	2.5"	X				X		X	X		2
ELP	Exclamation London Planetree	<i>Platanus x acerifolia</i> 'Exclamation'	60'	50'	2.5"	X				X		X	X		3
CSP	Cleveland Select Pear	<i>Pyrus calleryana</i> 'Cleveland Select'	40	15	2.5"	X				X		X	X		4
JLP	'Jill' Pear	<i>Pyrus calleryana</i> 'Jilzam'	15	15	2.5"	X				X		X	X		3
SWO	Swamp White oak	<i>Quercus bicolor</i>	60	50	2.5"	X				X		X	X		8
CKO	Chinkapin Oak	<i>Quercus muehlenbergii</i>	60	50	2.5"	X				X		X	X		4
SMEO	English Oak "Skymaster"	<i>Quercus robur</i> 'Skymaster'	50	25	2.5"	X				X		X	X		3
SCL	Summer Charm Pekin Lilac	<i>Syringa pekinensis</i> 'Summer Charm'	20	10	2.5"	X				X		X	X		3
SBBC	Shawnee Brave Baldcypress	<i>Taxodium distichum</i> 'Shawnee Brave'	60'	30'	2.5"	X				X		X	X		2
NHAE	"New Harmony" American Elm	<i>Ulmus americana</i> 'New Harmony'	70	70	2.5"	X				X		X	X		10
NHE	"New Horizon" Elm	<i>Ulmus japonica x pumila</i> 'New Horizon'	55	40	2.5"	X				X		X	X		6
<b>PAGE SUBTOTAL</b>															87
<b>TREE TOTAL</b>															132

<b>CONTRACT # 6979</b>		<b>EAST WASHINGTON AVENUE MEDIAN AND TERRACE, SHRUBS, GRASSES, AND PERENNIALS SCHEDULE</b>											<b>SHT. 15</b>		
<b>S Y M B O L</b>	<b>PLANT NAME</b>	<b>SCIENTIFIC NAME</b>	<b>MATURE HEIGHT</b>	<b>MATURE SPREAD</b>	<b>CALIPER, HGT., SPREAD, SIZE</b>	<b>B &amp; B</b>	<b>P O T T D</b>	<b>B R</b>	<b>S T A K E</b>	<b>W R A P</b>	<b>B U L B S</b>	<b>P R O T E C T I O</b>	<b>S P R I N G</b>	<b>F A L L</b>	<b>Q t y</b>
<b>SHRUBS</b>															
GLS	Fragrant Gro-Low Sumac	Rhus aromatica 'Gro-Low'	24"	84"	3 Gal	X				X		X	X		43
DKR	Double Knock Out™ Rose	Rosa 'Radrazz' PP#11836	24"-36"	36"	3 Gal	X				X		X	X		27
MKR	Popcorn Drift Knockout Rose	Rosa "Novarospop" Patent PPTBS	12"-24"	24"-36"	3 Gal	X				X		X	X		19
MKL	Miss Kim Lilac	Syringa pubescens subspecies patula 'Miss Kim'	4'-9'	5'-7'	5 Gal	X				X		X	X		8
ASJ	Autumn Joy Sedum	Sedum spectabile 'Autumn Joy'	25'	1"	1 Gal	X				X		X	X		120
AW	Anthony Waterer Spirea	Spiraea x bumalda 'Anthony Waterer'	24"-36"	24"-36"	5 Gal	X				X		X	X		33
CM	SIX HILLS GIANT CATMINT														325
BCB	Black Chokeberry	Aronia melanocarpa 'Elata'	5'	36"	5 Gal	X				X		X	X		6
<b>GRASSES</b>															
DFH	Dwarf Fountain Grass	Pennisetum alopecuroides 'Fountain Grass'	18"-24"	24"-36"	# 1 Pot		X						X		45
RS	Red Switchgrass	Panicum virgatum 'Rotstrahlbusch'	4'-5'	36"	# 1 Pot		X						X		34
BF	Elijah Blue Fescue Grass	Festuca Glauca Elijah Blue	8"-12"	8"-12"	# 1 Pot		X						X		92
KFG	Karl Foerster Feather Reed Grass	Calamagrostis x acutifolora 'Karl Foerster'	5'	30"	# 1 Pot		X						X		80
<b>PERENNIALS /GROUNDCOVERS</b>															
SHD	Stella de Ore Daylily	Hemerocallis 'Stella de ore'	12"	12"	# 1 Pot		X						X		278
<b>PAGE SUBTOTAL</b>															1110



	<i><b>EAST WASHINGTON AVENUE</b></i>	Thieier Rd. to Egan Rd./Continental Lane	Continental Lane to Independence Lane	Independence Ln. to Zeier Rd.	Zeier Rd. to E. Spring Rd.
	<i><b>TREES</b></i>				
PSG	Princeton Sentry Ginkgo		6		
FTH	Ft Mc Nair Horsechestnut	3			3
CH	Chicagoland Hackberry	2			
TCH	Thornless Cockspur Hawthorn	2			2
RRC	Royal Raindrops Crabapple				4
BP	London Planetree 'Bloodgood'"	2			
OP	London Planetree "Ovation"	1			
ABP	Autumn Blaze Pear	3			
JP	'Jack' Pear	3			
CSL	China Snow Peking Lilac	3			3
ISL	Ivory Silk Japanese Tree Lilac				3
GLL	Glenleven Linden	3			
JAE	Jefferson American Elm	2			
SSMM	State Street Miyabei Maple				2
AGG	Autumn Gold Ginkgo				6
SHL	Skyline Honeylocust	5		7	2
KCT	Kentucky Coffeetree	3	2	7	2
AM	Amur Maackia	3			
DWC	Donald Wyman Crabapple	2			
ELP	London planetree "Exclamation	2			1
CSP	Cleveland Select pear		4		
JLP	Jill Pear	3			
SWO	Swamp White Oak	4			4
CKO	Chinkapin Oak	2	1		1
SMEO	Skymaster English oak		3		
SCL	Summer Charm Peking Lilac	3			

	<i><b>EAST WASHINGTON AVENUE</b></i>	Thieier Rd. to Egan Rd./Continental Lane	Continental Lane to Independence Lane	Independence Ln. to Zeier Rd.	Zeier Rd. to E. Spring Rd.
SBBC	Shawnee Brave Baldcypress	2			
NHAE	New Harmony Amerixcan Elm	3		7	
NHE	New Horizon Elm	2			4
	<i><b>SHRUBS</b></i>				
GLS	Fragrant Gro-Low Sumac			31	12
DKR	Double Knock Out™ Rose		11		16
MKR	Popcorn Drift Knockout Rose				19
MKL	Miss Kim Lilac			5	3
ASJ	Autumn Joy Sedum				120
AW	Anthony Waterer Spirea			27	6
CM	Six Hill Giant Catmint				325
BCB	Black Chokeberry			6	
	<i><b>GRASSES</b></i>				
DFG	Dwarf Fountain Grass				45
RS	Red Switchgrass	9			25
BF	Elijah Blue Fescue Grass	92			
KFG	Karl Foerster Feather Reed Grass				80
	<i><b>PERRENNIAL</b></i>				
SHD	Stella de Ore Daylily		278		
	<b>TOTAL</b>	159	305	90	688
	<b>GRAND TOTAL</b>				