

\$155,174.00  
FILE COPY

BID OF MONONA PLUMBING AND FIRE PROTECTION, INC.

2022

PROPOSAL, CONTRACT, BOND AND SPECIFICATIONS

FOR

REPLACEMENT OF BOOSTER PUMPS AND ASSOCIATED  
PIPING/APPURTENANCES AT UNIT WELLS 12 & 26

CONTRACT NO. 9228

MUNIS NO. 13939 & 14027

IN

MADISON, DANE COUNTY, WISCONSIN

AWARDED BY THE COMMON COUNCIL  
MADISON, WISCONSIN ON OCTOBER 25, 2022

CITY ENGINEERING DIVISION  
1600 EMIL STREET  
MADISON, WISCONSIN 53713

<https://bidexpress.com/login>

**CONTRACT NO. 9228**

**INDEX**

SECTION A: ADVERTISEMENT FOR BIDS AND INSTRUCTIONS TO BIDDERS.....A-1

SECTION B: PROPOSAL SECTION .....B-1

SECTION C: DISADVANTAGED BUSINESS ENTERPRISE ..... C-1

SECTION D: SPECIAL PROVISIONS ..... D-1

SECTION E: BIDDER'S ACKNOWLEDGEMENT.....E-1

SECTION F: BEST VALUE CONTRACTING ..... F-1

SECTION G: BID BOND..... G-1

SECTION H: AGREEMENT..... H-1

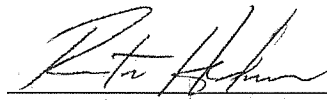
SECTION I: PAYMENT AND PERFORMANCE BOND .....I-1

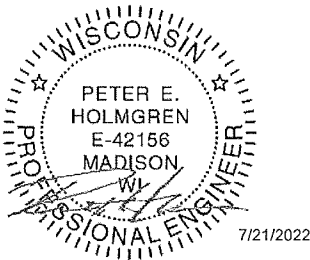
SECTION J: DAVIS-BACON LABOR PROVISIONS ..... J-1

SECTION K: DAVIS-BACON WAGE RATES.....K-1

This Proposal, and Agreement have  
been prepared by:

**CITY ENGINEERING DIVISION  
CITY OF MADISON  
MADISON, DANE COUNTY, WISCONSIN**

  
7/21/2022  
Pete Holmgren, P.E.



## SECTION A: ADVERTISEMENT FOR BIDS AND INSTRUCTIONS TO BIDDERS

### REQUEST FOR BID FOR PUBLIC WORKS CONSTRUCTION CITY OF MADISON, WISCONSIN

#### A BEST VALUE CONTRACTING MUNICIPALITY

PROJECT NAME:	REPLACEMENT OF BOOSTER PUMPS AND ASSOCIATED PIPING/APPURTENANCES AT UNIT WELLS 12 & 26
CONTRACT NO.:	9228
DBE GOAL	8%
BID BOND	5%
DBE PRE BID MEETING	See Pre-Bid Meeting info below
PREQUALIFICATION APPLICATION DUE (2:00 P.M.)	9/22/2022
BID SUBMISSION (2:00 P.M.)	9/29/2022
BID OPEN (2:30 P.M.)	9/29/2022
PUBLISHED IN WSJ	9/15/2022 & 9/22/2022

DBE PRE BID MEETING: Meetings are not being held in person at this time. Contractors can schedule one-on-one phone calls with Juan Pablo Torres Meza in Affirmative Action to count towards good faith efforts. Juan Pablo can be reached at 608-261-9162 or by email, [jtorresmeza@cityofmdison.com](mailto:jtorresmeza@cityofmdison.com).

PREQUALIFICATION APPLICATION: Forms are available on our website, [www.cityofmadison.com/business/pw/forms.cfm](http://www.cityofmadison.com/business/pw/forms.cfm). If not currently prequalified in the categories listed in Section A, an amendment to your Prequalification will need to be submitted prior to the same due date. Postmark is not applicable.

BIDS TO BE SUBMITTED by hand to 1600 EMIL ST., MADISON, WI 53713 or online at [www.bidexpress.com](http://www.bidexpress.com).

Bids may be submitted on line through Bid Express or in person at 1600 Emil St. The bids will be posted on line after the bid opening. If you have any questions, please call Alane Boutelle at (608) 267-1197, or John Fahrney at (608) 266-9091.

#### STANDARD SPECIFICATIONS

The City of Madison's Standard Specifications for Public Works Construction - 2022 Edition, as supplemented and amended from time to time, forms a part of these contract documents as if attached hereto.

These standard specifications are available on the City of Madison Public Works website, [www.cityofmadison.com/Business/PW/specs.cfm](http://www.cityofmadison.com/Business/PW/specs.cfm).

The Contractor shall review these Specifications prior to preparation of proposals for the work to be done under this contract, with specific attention to Article 102, "BIDDING REQUIREMENTS AND CONDITIONS" and Article 103, "AWARD AND EXECUTION OF THE CONTRACT." For the convenience of the bidder, below are highlights of three subsections of the specifications.

#### DAVIS BACON COMPLIANCE PROVISIONS

The City of Madison is applying to fund portions of this contract through the Safe Drinking Water Loan Program (SDWLP) administered by the Wisconsin Department of Natural Resources. All work in this contract is subsequently subject to the Davis-Bacon Compliance Provisions. The Contractor shall use the

Davis-Bacon wage rate tables as issued by the U.S. Department of Labor. The contractor shall submit weekly payroll certification, utilizing the payroll form included in the contract documents, or equivalent.

See SECTION J: DAVIS-BACON LABOR PROVISIONS, and SECTION K: DAVIS-BACON WAGE RATES for additional information and specific Contract requirements.

#### AMERICAN IRON AND STEEL (AIS)

All iron and steel products provided by the Contractor shall be produced in the United States and comply with the American Iron and Steel Requirement (AIS). Contractor shall provide AIS Certification for all iron and steel products supplied in this Contract.

See SECTION D: SPECIAL PROVISIONS, SECTION 106.1: SOURCE AND SUPPLY AND QUALITY for additional information and specific Contract requirements.

#### SECTION 102.1: PRE-QUALIFICATION OF BIDDERS

In accordance with Wisconsin State Statutes 66.0901 (2) and (3), all bidders must submit to the Board of Public Works proof of responsibility on forms furnished by the City. The City requires that all bidders be qualified on a biennial basis.

Bidders must present satisfactory evidence that they have been regularly engaged in the type of work specified herein and they are fully prepared with necessary capital, materials, machinery and supervisory personnel to conduct the work to be contracted for to the satisfaction of the City. All bidders must be pre-qualified by the Board of Public Works for the type of construction on which they are bidding prior to the opening of the bid.

In accordance with Section 39.02(9)(a)l. of the General Ordinances, all bidders shall submit in writing to the Affirmative Action Division Manager of the City of Madison, a Certificate of Compliance or an Affirmative Action Plan at the same time or prior to the submission of the proof of responsibility forms.

The bidder shall be disqualified if the bidder fails to or refuses to, prior to opening of the bid, submit a Certificate of compliance, Affirmative Action Plan or Affirmative Action Data Update, as applicable, as defined by Section 39.02 of the General Ordinances (entitled Affirmative Action) and as required by Section 102.11 of the Standard Specifications.

#### SECTION 102.4 PROPOSAL

No bid will be accepted that does not contain an adequate or reasonable price for each and every item named in the Schedule of Unit Prices.

A lump sum bid for the work in accordance with the plans and specifications is required. The lump sum bid must be the same as the total amounts bid for the various items and it shall be inserted in the space provided.

All papers bound with or attached to the proposal form are considered a part thereof and must not be detached or altered when the proposal is submitted. The plans, specifications and other documents designated in the proposal form will be considered a part of the proposal whether attached or not.

A proposal submitted by an individual shall be signed by the bidder or by a duly authorized agent. A proposal submitted by a partnership shall be signed by a member/partner or by a duly authorized agent thereof. A proposal submitted by a corporation shall be signed by an authorized officer or duly authorized registered agent of such corporation, and the proposal shall show the name of the State under the laws of which such corporation was chartered. The required signatures shall in all cases appear in the space provided thereof on the proposal.

Each proposal shall be placed, together with the proposal guaranty, in a sealed envelope, so marked as to indicate name of project, the contract number or option to which it applies, and the name and address

of the Contractor or submitted electronically through Bid Express ([www.bidexpress.com](http://www.bidexpress.com)). Proposals will be accepted at the location, the time and the date designated in the advertisement. Proposals received after the time and date designated will be returned to the bidder unopened.

#### SECTION 102.5: BID DEPOSIT (PROPOSAL GUARANTY)

All bids, sealed or electronic, must be accompanied with a Bid Bond (City of Madison form) equal to at least 5% of the bid or a Certificate of Annual/Biennial Bid Bond or certified check, payable to the City Treasurer. Bid deposit of the successful bidders shall be returned within forty-eight (48) hours following execution of the contract and bond as required.

#### MINOR DISCREPENCIES

Bidder is responsible for submitting all forms necessary for the City to determine compliance with State and City bidding requirements. Notwithstanding any language to the contrary contained herein, the City may exercise its discretion to allow bidders to correct or supplement submissions after bid opening, if the minor discrepancy, bid irregularity or omission is insignificant and not one related to price, quality, quantity, time of completion or performance of the contract.

**Bidders for this Contract(s) must be Pre-Qualified for at least one of the following type(s) of construction denoted by an**

Building Demolition

- 101  Asbestos Removal  
 120  House Mover

- 110  Building Demolition

Street, Utility and Site Construction

- 201  Asphalt Paving  
 205  Blasting  
 210  Boring/Pipe Jacking  
 215  Concrete Paving  
 220  Con. Sidewalk/Curb & Gutter/Misc. Flat Work  
 221  Concrete Bases and Other Concrete Work  
 222  Concrete Removal  
 225  Dredging  
 230  Fencing  
 235  Fiber Optic Cable/Conduit Installation  
 240  Grading and Earthwork  
 241  Horizontal Saw Cutting of Sidewalk  
 242  Infrared Seamless Patching  
 245  Landscaping, Maintenance  
 246  Ecological Restoration  
 250  Landscaping, Site and Street  
 251  Parking Ramp Maintenance  
 252  Pavement Marking  
 255  Pavement Sealcoating and Crack Sealing  
 260  Petroleum Above/Below Ground Storage Tank Removal/Installation  
 262  Playground Installer

- 265  Retaining Walls, Precast Modular Units  
 270  Retaining Walls, Reinforced Concrete  
 275  Sanitary, Storm Sewer and Water Main Construction  
 276  Sawcutting  
 280  Sewer Lateral Drain Cleaning/Internal TV Insp.  
 285  Sewer Lining  
 290  Sewer Pipe Bursting  
 295  Soil Borings  
 300  Soil Nailing  
 305  Storm & Sanitary Sewer Laterals & Water Svc.  
 310  Street Construction  
 315  Street Lighting  
 318  Tennis Court Resurfacing  
 320  Traffic Signals  
 325  Traffic Signing & Marking  
 332  Tree pruning/removal  
 333  Tree, pesticide treatment of  
 335  Trucking  
 340  Utility Transmission Lines including Natural Gas, Electrical & Communications  
 399  Other \_\_\_\_\_

Bridge Construction

- 501  Bridge Construction and/or Repair

Building Construction

- 401  Floor Covering (including carpet, ceramic tile installation, rubber, VCT)  
 402  Building Automation Systems  
 403  Concrete  
 404  Doors and Windows  
 405  Electrical - Power, Lighting & Communications  
 410  Elevator - Lifts  
 412  Fire Suppression  
 413  Furnishings - Furniture and Window Treatments  
 415  General Building Construction, Equal or Less than \$250,000  
 420  General Building Construction, \$250,000 to \$1,500,000  
 425  General Building Construction, Over \$1,500,000  
 428  Glass and/or Glazing  
 429  Hazardous Material Removal  
 430  Heating, Ventilating and Air Conditioning (HVAC)  
 433  Insulation - Thermal  
 435  Masonry/Tuck pointing

- 437  Metals  
 440  Painting and Wallcovering  
 445  Plumbing  
 450  Pump Repair  
 455  Pump Systems  
 460  Roofing and Moisture Protection  
 464  Tower Crane Operator  
 461  Solar Photovoltaic/Hot Water Systems  
 465  Soil/Groundwater Remediation  
 466  Warning Sirens  
 470  Water Supply Elevated Tanks  
 475  Water Supply Wells  
 480  Wood, Plastics & Composites - Structural & Architectural  
 499  Other \_\_\_\_\_

State of Wisconsin Certifications

- 1  Class 5 Blaster - Blasting Operations and Activities 2500 feet and closer to inhabited buildings for quarries, open pits and road cuts.  
 2  Class 6 Blaster - Blasting Operations and Activities 2500 feet and closer to inhabited buildings for trenches, site excavations, basements, underwater demolition, underground excavations, or structures 15 feet or less in height.  
 3  Class 7 Blaster - Blasting Operations and Activities for structures greater than 15' in height, bridges, towers, and any of the objects or purposes listed as "Class 5 Blaster or Class 6 Blaster".  
 4  Petroleum Above/Below Ground Storage Tank Removal and Installation (Attach copies of State Certifications.)  
 5  Hazardous Material Removal (Contractor to be certified for asbestos and lead abatement per the Wisconsin Department of Health Services, Asbestos and Lead Section (A&LS).) See the following link for application: [www.dhs.wisconsin.gov/Asbestos/Cert](http://www.dhs.wisconsin.gov/Asbestos/Cert). State of Wisconsin Performance of Asbestos Abatement Certificate must be attached.  
 6  Certification number as a Certified Arborist or Certified Tree Worker as administered by the International Society of Arboriculture  
 7  Pesticide application (Certification for Commercial Applicator For Hire with the certification in the category of turf and landscape (3.0) and possess a current license issued by the DATCP)  
 8  State of Wisconsin Master Plumbers License.

## SECTION B: PROPOSAL

Please refer to the  
Bid Express Website  
at <https://bidexpress.com>  
look up contract number  
and go to  
Section B: Proposal Page

You can access all City of Madison bid solicitations for FREE at [www.bidexpress.com](http://www.bidexpress.com)

Click on the "Register for Free" button and follow the instructions to register your company and yourself. You will be asked for a payment subscription preference, since you may wish to bid online someday. Simply choose the method to pay on a 'per bid' basis. This requires no payment until / unless you actually bid online. You can also choose the monthly subscription plan at this time. You will, however, be asked to provide payment information. Remember, you can change your preference at anytime. You will then be able to complete your free registration and have full access to the site. Your free access does not require completion of the 'Digital ID' process, so you will have instant access for viewing and downloading. To be prepared in case you ever do wish to bid online, you may wish to establish your digital ID also, since you cannot bid without a Digital ID.

If you have any problems with the free registration process, you can call the bidexpress help team, toll free at 1-888-352-2439 (option 1, option1).

## SECTION C: DISADVANTAGED BUSINESS ENTERPRISE

### Instructions to Bidders City of Madison DBE Program Information

#### Disadvantaged Business Enterprise (DBE) Program Information

This project anticipates financing in whole or in part by the Wisconsin Department of Natural Resources (DNR) through the Clean Water Fund Program (CWFP) or the Safe Drinking Water Loan Program (SDWLP). The City of Madison and all Contractors on this project must make good faith efforts to utilize DBEs. The Wisconsin DNR provides a Contract Packet for DBE compliance which contains information for compliance with the EPA's DBE regulations and DBE program policies.

The DBE Compliance packet, and copies of required forms are available for reference at: <https://dnr.wi.gov/Aid/documents/EIF/Guide/DBE.html>

Additional questions regarding the DBE Program provisions of this Contract, including the attached Environmental Improvement Fund (EIF) DBE Good Faith Certification forms and the DBE Subcontractor Utilization forms, should be directed to:

Juan Pablo Torres Meza, Contract Compliance Specialist, at (608) 266-6514, or by email [jtorresmeza@cityofmadison.com](mailto:jtorresmeza@cityofmadison.com)

– OR –

Adam Wiederhoeft, PE, Design & Construction Engineer, Madison Water Utility, at (608) 266-9121, or by email at [awiederhoeft@madisonwater.org](mailto:awiederhoeft@madisonwater.org)

A copy of the complete City of Madison Disadvantaged Business Enterprise Program and/or DBE Directory may be obtained by calling the City Civil Rights Department at (608) 267-8759, or online at: <https://wisconsindot.gov/Pages/doing-bus/civil-rights/dbe/certified-firms.aspx>.

#### 2.1 Program Overview and Requirements

The City of Madison, in awarding prime contracts, and the primary contractor, in awarding subcontractors, are required to make a good faith effort to achieve a combined minimum goal of 8% participation for DBE utilization. This procurement will be subject to regulations contained in NR162, Wisconsin Administrative Code and appropriate State Statutes. Any contract awarded under this Invitation to Bid must demonstrate positive good faith efforts to utilize disadvantaged business enterprises (DBE). The City of Madison encourages DBE, including qualifying women-owned business enterprises (WBE) and minority-owned business enterprises (MBE), to submit Bid Proposals.

Failure to comply could result in the reduction in loan eligibility and/or could result in the contract being awarded to the lowest bidder demonstrating a positive effort to utilize women, minority, and small businesses.

The Contractor shall demonstrate positive efforts to utilize disadvantaged business enterprises (DBE). The Contractor's documentation regarding positive effort to utilize DBE shall be submitted with the Bid. Refer to the following sections for submittal requirements. Utilize the forms enclosed therein to demonstrate good faith effort and DBE utilization. Completed forms must be included with the bid documents submitted at the time of Bid Opening.

Bidders may contact prospective DBE on the Wisconsin Unified Certification Program Eligibility Directory to solicit bids from these firms (available on the Wisconsin Department of Transportation's website: <https://wisconsindot.gov/Pages/doing-bus/civil-rights/dbe/certified-firms.aspx>).



For contractors utilizing DBE the appropriate form(s) must be submitted with the Bid to document the DBE subcontractors to be used in the Work.

Contractors are strongly encouraged to submit an advertisement to an industrial trade publication or regional newspaper to meet the good faith efforts required.

## 2.2 Good Faith Efforts

Prime contractors and subcontractors participating in a CFWP or SDWLP funded project must also make good faith efforts whenever they subcontract for construction work, equipment, raw materials, or supplies. The Environmental Protection Agency (EPA) identifies Six Good Faith Efforts which are required to ensure that all DBEs have the opportunity to compete for procurements funded in whole or part by EPA financial assistance dollars. In order to demonstrate a good faith effort, the recipient and the prime contractor must, at a minimum, fulfill the following six (6) affirmative steps:

1. Include qualified DBEs on solicitation lists.
2. Assure that potential DBEs are solicited whenever they are potential sources.
3. Divide scope of work (total requirements), when economically feasible, into smaller tasks or quantities to permit maximum participation of DBEs.
4. Establish delivery schedules (for projects where the requirements of the work allow) that will encourage participation by DBEs.
5. Use the services and assistance of the following, as appropriate:
  - Small Business Administration - <https://www.sba.gov/>
  - Minority Business Development Agency - <https://www.mbda.gov/>
  - U.S. Department of Commerce - <https://www.commerce.gov/>
  - See the List of Certified DBEs for agencies in Wisconsin and bordering states providing similar support. - <https://dnr.wi.gov/Aid/documents/EIF/Guide/MBElist.html>
6. If the prime contractor awards contracts/procurements, require subcontractors to take the affirmative steps above.

## 2.3 Solicitation Requirements

To make a good faith effort when subcontracting, a Prime Contractor should advertise for subcontractors with an ad that includes a statement such as, "An 8% DBE participation goal is set for this project. DBEs are encouraged to submit proposals." If just one advertisement is published for all areas of work that may be subcontracted, it should indicate those types of work that could be subcontracted.

The advertisement(s) should appear in an industry trade publication and/or the official newspaper of public record for the municipality to effectively maximize the effectiveness of the effort.

The Prime Contractor shall supply a copy of the advertisement to the Engineer upon award of the Contract, or whenever solicitation occurs beyond the time of the bid submittal. A copy of the advertisement is not required as component of the Prime Contractor's bid submittal or award of the Contract.

Prime Contractors are required to contact DBEs on a Unified Certification Program (UCP) List to solicit bids from these firms (e.g., firms registered in the WisDOT UCP, <https://wisconsin.gov/Pages/doing-bus/civil-rights/dbe/certified-firms.aspx> ). Document all the contacts, using Form 8700-294A, the DBE Contacts Worksheet and submit the form with the bid,

and subsequently, to the Engineer, whenever solicitation occurs beyond the time of the bid submittal.

In addition to Form 8700-294A documenting DBE solicitation efforts, the DBE Program Subcontractor Utilization Form (EPA Form 6100-4) must be completed for all DBEs selected and/or intended for utilization on the project, including an estimated dollar value of their subcontract. The total subcontract values of eligible DBE subcontractors will determine whether the 8% utilization goal has been met. Submit the completed and signed form(s) with the bid, and subsequently, to the Engineer, whenever additional DBE utilization occurs beyond the time of the bid submittal.

Additional solicitation steps are identified and provided for reference on Form 8700-294, DBE Good Faith Certification Form. This form is not required for submittal by the Prime Contractor.

#### **2.4 Required Submittals by Bidder / Prime Contractor**

The following forms and solicitation documentation materials must be completed and submitted with the bid in order to be considered eligible for award of the Contract.

- 1) **DNR Form 8700-294A**  
The Environmental Improvement Fund (EIF) DBE Contacts Worksheet
- 2) **EPA Form 6100-4**  
The DBE Program Subcontractor Utilization Form captures the prime's intended use of an identified DBE subcontractor, and the estimated dollar amount of the subcontract.

#### **2.5 Additional Solicitation Information**

- 1) **Example Contractor's Advertisement Soliciting DBE Proposals**  
A sample ad format is provided for reference.
- 2) **DNR Form 8700-294** (*not required for submittal by the Prime Contractor*)  
The DBE Good Faith Certification Form provides additional solicitation steps, included for reference purposes. This form is not required for submittal by the Prime Contractor.

#### **2.6 Contract Administration Requirements**

Upon award and through the completion of contract, the following provisions are required to prevent unfair practices that adversely affect DBEs. Those provisions are as follows:

- 1) The Prime Contractor shall pay its subcontractor for satisfactory performance no later than 30 days from the Prime Contractor's receipt of payment from the City of Madison.
- 2) The City of Madison, through the Affirmative Action Division Manager and Engineer, must be notified in writing by its Prime Contractor prior to any termination of a DBE subcontractor for convenience by the Prime Contractor.
- 3) If a DBE subcontractor fails to complete work under the subcontract for any reason, the Prime Contractor is required to employ the six good faith efforts if soliciting a replacement subcontractor.
- 4) The Prime Contractor shall employ the six good faith efforts even if the Prime Contractor has achieved its fair share objectives for the project.

## 2.7 Federal Equivalency Requirements

This project is being financed in whole or in part by the Wisconsin Department of Natural Resources through the Clean Water Fund Program (CWFP) or the Safe Drinking Water Loan Program (SDWLP). This project is subsequently designated as Federal Equivalency and must comply with the following federal laws and all applicable state and federal laws, rules, and regulations and must ensure that their contractor(s) also comply with these laws, rules, and regulations.

- 1) Title VI of the Civil Rights Act of 1964 (P.L. 88-352), the Rehabilitation Act of 1973 (P.L. 93-1123, 87 Stat. 355, 29 U.S.C. Sec. 794), the Older Americans Amendments of 1975 (P.L. 94-135 Sec. 303, 89 Stat. 713, 728, 42 U.S.C. Sec. 6102), and subsequent regulations ensure access to facilities or programs regardless of race, color, national origin, sex, age, or handicap.
- 2) Executive Order 11246, as amended by Executive Orders 11375 and 12086 and subsequent regulations, prohibits employment discrimination on the basis of race, color, religion, sex, or national origin. Inclusion of the seven clauses in Section 202 of E.O. 11246 as amended by E.O. 11375 and 12086 are required in all project related contracts and subcontracts for municipalities over 3,300 population.
- 3) Executive Orders 11625, 12138, and 12432; 40 CFR part 33; Section 129 of P.L. 100-590 Small Businesses Reauthorization & Amendment Act of 1988; Public Law 102-389 (42 USC. 437d); a 1993 appropriations act ("EPA's 8% statute"); and Public Law 101-549, Title X of the Clean Air Acts Amendments of 1990 (42 USC. 7601 note) ("EPA's 10% statute") encourage recipients to award construction, supply, and professional service contracts to minority and women's business enterprises (MBE/WBE) and small businesses and require recipients to utilize affirmative steps in procurement.
- 4) 40 CFR Part 33 - Participation by Disadvantaged Business Enterprises in Procurement under Environmental Protection Agency (EPA) Financial Assistance Agreements sets forth a narrowly tailored EPA program to serve the compelling government interest of remedying past and current racial discrimination through agency-wide DBE procurement objectives.
- 5) Executive Order 12549, 3 CFR, 189; and 40 CFR Part 32, Subparts B and C, prohibit entering into contracts or subcontracts with individuals or businesses who are debarred or suspended. Borrowers are required to check the status of all contractors (construction and professional services) and must require contractors to check the status of subcontractors for contracts expected to be equal to or over \$25,000 via this Internet address: <http://epls.arnet.gov/>.
- 6) Executive Order 13202, as amended by Executive Order 13208, does not allow bid specifications, project agreements, or other controlling agreements to require or prohibit bidders, contractors, or subcontractors to enter into or to adhere to project labor agreements.
- 7) Section 513 of the Federal Water Pollution Control Act (33 USC 1372) or Section 1450(e) of the Safe Drinking Water Act (42 USC 300j-9(e)), as applicable, requires that all laborers and mechanics employed by contractors and subcontractors on projects funded directly by or assisted in whole or in part by and through the Federal Government pursuant to this Act shall be paid wages at rates not less than those prevailing on projects of a character similar in the locality as determined by the Secretary of Labor in accordance with subchapter IV of chapter 31 of title 40, United States Code. With respect to the labor standards specified in this section, the Secretary of Labor has the authority and functions set forth in Reorganization Plan Numbered 14 of 1950 (64 Stat. 1267; 5 USC. App.) and section 3145 of title 40, United State Code.

**Environmental Improvement Fund (EIF)  
DBE Contacts Worksheet**  
Form 8700-294A (R 03/17)

State of Wisconsin  
Department of Natural Resources  
Bureau of Community Financial Assistance  
101 S. Webster St., PO Box 7921  
Madison WI 53707-7921  
Phone No. (608) 266-7555 FAX (608) 267-0496  
Website: [dnr.wi.gov/Aid/EIF.html](http://dnr.wi.gov/Aid/EIF.html)

**NOTE:** This form is authorized by chs. NR 162 and NR 166, Wis. Adm. Code. The information requested on this form is necessary for the review of solicitation of Disadvantaged Business Enterprises (DBEs). This form is intended to be a tool to assist those seeking funding from the EIF (Clean Water Fund Program or Safe Drinking Water Loan Program) to meet the DBE requirements of EIF programs. Submitting this form to the Department is optional. Applicants may submit the form as the required documentation of solicitation efforts or provide the information in some other format. Personally identifiable information provided on this form will only be used in determining whether or not DBE requirements are met. Failure to complete or submit this form has no impact on the applicant. For complete information regarding DBE requirements, see the Contract Packet for DBE Compliance on DNR's website at <http://dnr.wi.gov/Aid/documents/EIF/Guide/DBE.html>.

Contact DBEs on a Unified Certification Program (UCP) List to solicit bids from DBE firms (e.g., firms registered in the WisDOT UCP, <http://wisconsin.dot.gov/pages/doing-bus/civil-rights/dbe/certified-firms.aspx>). The individual that makes the contacts should document all contacts. Contact at least 2 minority business enterprises (MBEs) and 2 women's business enterprises (WBEs); additional contacts may be to any type of DBE. Only contacts made to DBEs on DOT's UCP list can be considered in determining whether a good faith effort was made to solicit DBEs.

**Project Information**

Name of Municipality	EIF Project Number
Name of Prime Contractor	Information Prepared By (Name and Phone or E-Mail Address)

**Contacts**

Information Needed For Review	Contact 1	Contact 2	Contact 3
a. Name of Firm Contacted			
b. Contact's Phone Number or E-Mail			
c. Firm Type	<input type="radio"/> MBE <input type="radio"/> WBE <input type="radio"/> Other DBE	<input type="radio"/> MBE <input type="radio"/> WBE <input type="radio"/> Other DBE	<input type="radio"/> MBE <input type="radio"/> WBE <input type="radio"/> Other DBE
d. On DOT UCP list?	<input type="radio"/> Yes <input type="radio"/> No	<input type="radio"/> Yes <input type="radio"/> No	<input type="radio"/> Yes <input type="radio"/> No
e. Date Contacted			
f. Result of contact			
g. Bid received?	<input type="radio"/> Yes <input type="radio"/> No	<input type="radio"/> Yes <input type="radio"/> No	<input type="radio"/> Yes <input type="radio"/> No
h. If bid received and rejected, why rejected?			
i. Utilizing this firm? (If yes, more on p. 4)*	<input type="radio"/> Yes <input type="radio"/> No	<input type="radio"/> Yes <input type="radio"/> No	<input type="radio"/> Yes <input type="radio"/> No

Information Needed For Review	Contact 4	Contact 5	Contact 6
a. Name of Firm Contacted			
b. Contact's Phone Number or E-Mail			
c. Firm Type	<input type="radio"/> MBE <input type="radio"/> WBE <input type="radio"/> Other DBE	<input type="radio"/> MBE <input type="radio"/> WBE <input type="radio"/> Other DBE	<input type="radio"/> MBE <input type="radio"/> WBE <input type="radio"/> Other DBE
d. On DOT UCP list?	<input type="radio"/> Yes <input type="radio"/> No	<input type="radio"/> Yes <input type="radio"/> No	<input type="radio"/> Yes <input type="radio"/> No
e. Date Contacted			
f. Result of contact			
g. Bid received?	<input type="radio"/> Yes <input type="radio"/> No	<input type="radio"/> Yes <input type="radio"/> No	<input type="radio"/> Yes <input type="radio"/> No
h. If bid received and rejected, why rejected?			
i. Utilizing this firm? (If yes, more on p. 4)*	<input type="radio"/> Yes <input type="radio"/> No	<input type="radio"/> Yes <input type="radio"/> No	<input type="radio"/> Yes <input type="radio"/> No
Information Needed For Review	Contact 7	Contact 8	Contact 9
a. Name of Firm Contacted			
b. Contact's Phone Number or E-Mail			
c. Firm Type	<input type="radio"/> MBE <input type="radio"/> WBE <input type="radio"/> Other DBE	<input type="radio"/> MBE <input type="radio"/> WBE <input type="radio"/> Other DBE	<input type="radio"/> MBE <input type="radio"/> WBE <input type="radio"/> Other DBE
d. On DOT UCP list?	<input type="radio"/> Yes <input type="radio"/> No	<input type="radio"/> Yes <input type="radio"/> No	<input type="radio"/> Yes <input type="radio"/> No
e. Date Contacted			
f. Result of contact			
g. Bid received?	<input type="radio"/> Yes <input type="radio"/> No	<input type="radio"/> Yes <input type="radio"/> No	<input type="radio"/> Yes <input type="radio"/> No
h. If bid received and rejected, why rejected?			
i. Utilizing this firm? (If yes, more on p. 4)*	<input type="radio"/> Yes <input type="radio"/> No	<input type="radio"/> Yes <input type="radio"/> No	<input type="radio"/> Yes <input type="radio"/> No

**Environmental Improvement Fund (EIF)  
DBE Contacts Worksheet**  
Form 8700-294A (R 03/17)

Information Needed For Review	Contact 10	Contact 11	Contact 12
a. Name of Firm Contacted			
b. Contact's Phone Number or E-Mail			
c. Firm Type	<input type="radio"/> MBE <input type="radio"/> WBE <input type="radio"/> Other DBE	<input type="radio"/> MBE <input type="radio"/> WBE <input type="radio"/> Other DBE	<input type="radio"/> MBE <input type="radio"/> WBE <input type="radio"/> Other DBE
d. On DOT UCP list?	<input type="radio"/> Yes <input type="radio"/> No	<input type="radio"/> Yes <input type="radio"/> No	<input type="radio"/> Yes <input type="radio"/> No
e. Date Contacted			
f. Result of contact			
g. Bid received?	<input type="radio"/> Yes <input type="radio"/> No	<input type="radio"/> Yes <input type="radio"/> No	<input type="radio"/> Yes <input type="radio"/> No
h. If bid received and rejected, why rejected?			
i. Utilizing this firm? (If yes, more on p. 4)*	<input type="radio"/> Yes <input type="radio"/> No	<input type="radio"/> Yes <input type="radio"/> No	<input type="radio"/> Yes <input type="radio"/> No
Information Needed For Review	Contact 13	Contact 14	Contact 15
a. Name of Firm Contacted			
b. Contact's Phone Number or E-Mail			
c. Firm Type	<input type="radio"/> MBE <input type="radio"/> WBE <input type="radio"/> Other DBE	<input type="radio"/> MBE <input type="radio"/> WBE <input type="radio"/> Other DBE	<input type="radio"/> MBE <input type="radio"/> WBE <input type="radio"/> Other DBE
d. On DOT UCP list?	<input type="radio"/> Yes <input type="radio"/> No	<input type="radio"/> Yes <input type="radio"/> No	<input type="radio"/> Yes <input type="radio"/> No
e. Date Contacted			
f. Result of contact			
g. Bid received?	<input type="radio"/> Yes <input type="radio"/> No	<input type="radio"/> Yes <input type="radio"/> No	<input type="radio"/> Yes <input type="radio"/> No
h. If bid received and rejected, why rejected?			
i. Utilizing this firm? (If yes, more on p. 4)*	<input type="radio"/> Yes <input type="radio"/> No	<input type="radio"/> Yes <input type="radio"/> No	<input type="radio"/> Yes <input type="radio"/> No





**Disadvantaged Business Enterprise (DBE) Program  
 DBE Subcontractor Utilization Form**

This form is intended to capture the prime contractor's actual and/or anticipated use of identified certified DBE<sup>1</sup> subcontractors<sup>2</sup> and the estimated dollar amount of each subcontract. An EPA Financial Assistance Agreement Recipient must require its prime contractors to complete this form and include it in the bid or proposal package. Prime contractors should also maintain a copy of this form on file.

Prime Contractor Name		Project Name	
Bid/ Proposal No.	Assistance Agreement ID No. (if known)	Point of Contact	
Address			
Telephone No.		Email Address	
Issuing/Funding Entity:			

I have identified potential DBE certified subcontractors	___ YES	___ NO	
If yes, please complete the table below. If no, please explain:			
Subcontractor Name/ Company Name	Company Address/ Phone/ Email	Est. Dollar Amt	Currently DBE Certified?

Continue on back if needed

<sup>1</sup> A DBE is a Disadvantaged, Minority, or Woman Business Enterprise that has been certified by an entity from which EPA accepts certifications as described in 40 CFR 33.204-33.205 or certified by EPA. EPA accepts certifications from entities that meet or exceed EPA certification standards as described in 40 CFR 33.202.

<sup>2</sup> Subcontractor is defined as a company, firm, joint venture, or individual who enters into an agreement with a contractor to provide services pursuant to an EPA award of financial assistance.

**EPA FORM 6100-4 (DBE Subcontractor Utilization Form)**



**Disadvantaged Business Enterprise (DBE) Program  
DBE Subcontractor Utilization Form**

I certify under penalty of perjury that the forgoing statements are true and correct. Signing this form does not signify a commitment to utilize the subcontractors above. I am aware of that in the event of a replacement of a subcontractor, I will adhere to the replacement requirements set forth in 40 CFR Part 33 Section 33.302 (c).

<b>Prime Contractor Signature</b>	<b>Print Name</b>
<b>Title</b>	<b>Date</b>

The public reporting and recordkeeping burden for this collection of information is estimated to average three (3) hours per response. Send comments on the Agency's need for this information, the accuracy of the provided burden estimates, and any suggested methods for minimizing respondent burden, including through the use of automated collection techniques to the Director, Collection Strategies Division, U.S. Environmental Protection Agency (2822T), 1200 Pennsylvania Ave., NW, Washington, D.C. 20460. Include the OMB control number in any correspondence. Do not send the completed form to this address.

**EPA FORM 6100-4 (DBE Subcontractor Utilization Form)**



**Notice:** Under ss. NR 162.09(3) and NR 166.12(4)(b), Wis. Adm. Code, a municipality is required to provide complete information, as requested on this form, to verify that it has complied with requirements regarding solicitation of minority- and women-business enterprises (MBE/WBEs) and other Disadvantaged Business Enterprises (DBEs). The Department will not complete a financial assistance agreement unless the municipality submits documentation regarding DBE solicitation or utilization. Failure to provide information requested, or make a good faith effort, may result in sanctions described in s. NR 162.09(3)(b) or s. NR 166.12(4), Wis. Adm. Code.

Personally identifiable information provided on this form will be used to review participation in a project and may also be made available to requesters as required by Wisconsin Open Records law [ss. 19.31 - 19.39, Wis. Stats.].

Check applicable program:  Safe Drinking Water Loan Program  Clean Water Fund Program

**I. Project Information**

1. Name of Municipality	2. EIF Project Number
3. Name of Authorized Representative (Print or Type)	4. Title of Authorized Representative (Print or Type)

**II. Good Faith Effort**

1. Are any DBEs performing any type of work on this project? If yes, attach EPA Form 6100-4 for each DBE utilized.  Yes  No
2. Did your municipality either:  Yes  No
  - a. Contact DBEs included on the Unified Certification Program List (e.g., WisDOT UCP) when soliciting bids?  
OR
  - b. Publish an advertisement in the official newspaper of record that included language encouraging DBEs to submit bids?
3. Did each primary contractor either:  Yes  No
  - a. Contact DBEs included on the Unified Certification Program List (e.g., WisDOT UCP) when soliciting bids?  
OR
  - b. Publish an advertisement in an industry trade publication and/or the official newspaper of record that included language encouraging DBEs to submit proposals?
4. Did your municipality, your primary engineer, and/or primary contractor divide the total scope of work into smaller tasks and packages to permit maximum utilization of DBEs?  Yes  No
5. Did your municipality, your primary engineer, and/or primary contractor establish delivery schedules that enabled DBEs to compete for contracts or subcontracts?  Yes  No
6. Did your municipality, your primary engineer, and/or primary contractor use the disadvantaged business services (obtain lists of certified disadvantaged businesses or request other assistance) of agencies such as the Wisconsin Department of Transportation or the Small Business Administration?  Yes  No
7. Were solicited DBEs provided a reasonable amount of time to respond to requests for bids?  Yes  No
8. If you answered "No" to any of the questions in numbers II.1-II.7 above, provide justification or an explanation of why you could not answer "Yes" to that question. Attach an additional sheet of paper if extra space is required.

**Municipal Certification**

I certify that, to the best of my knowledge, the information provided on this form is true, accurate and complete.

Signature of Authorized Representative	Date Signed
--	-------------

<b>DO NOT WRITE BELOW THIS LINE - DNR USE ONLY</b>	
a. Is form filled out completely?	<input type="checkbox"/> Yes <input type="checkbox"/> No
b. Did authorized representative sign the form?	<input type="checkbox"/> Yes <input type="checkbox"/> No
b. Are submitted justifications and explanations acceptable?	<input type="checkbox"/> Yes <input type="checkbox"/> No <input type="checkbox"/> NA
Project Manager Signature	Date Review Completed

## SECTION D: SPECIAL PROVISIONS

### CONTRACT NO. 9228

It is the intent of these Special Provisions to set forth the final contractual intent as to the matter involved and shall prevail over the Standard Specifications and plans whenever in conflict therewith. In order that comparisons between the Special Provisions can be readily made, the numbering system for the Special Provisions is equivalent to that of the Specifications.

Whenever in these Specifications the term "Standard Specifications" appears, it shall be taken to refer to the City of Madison Standard Specifications for Public Works Construction and Supplements thereto.

#### **SECTION 102.11**      **BEST VALUE CONTRACTING**

This Contract shall be considered a Best Value Contract if the Contractor's bid is equal to or greater than \$70,000 for a single trade contract; or equal to or greater than \$341,500 for a multi-trade contract pursuant to MGO 33.07(7).

#### **SECTION 102.13:**      **FEDERAL PREVAILING WAGE**

For this project, payment of prevailing wages is required. The wages and benefits paid on the contract shall not be less than those specified in the Federal Wage Decision included with these contract documents for the following types of work:

- Building
- Heavy
- Highway
- Residential

When multiple boxes are checked, worker's wages may vary according to the type and area of work performed. It is the responsibility of the Contractor to determine and apply the appropriate wage rate for the specific work assigned.

The City of Madison will be utilizing Federal Funds for this project. Because of this additional terms and conditions will apply. In addition to the requirements In Article 102 of the Standard Specifications, during the performance of this agreement, the Contractor will be required to conform to the wage requirements prescribed by the federal Davis-Bacon and Related Acts which requires that all laborers and mechanics employed by contractors and sub-contractors performing on contracts funded in whole or in part with federal funds in excess of \$2,000 pay their laborers and mechanics not less than the prevailing wage rates and fringe benefits, as determined by the Secretary of Labor, for corresponding classes of laborers and mechanics employed on similar projects in the area.

See the attached Additional Federal Requirements Attachment and Federal Wage Decision. Note that the Wage Decision is subject to change and does not lock in until the bid's due date.

#### **SECTION 106.1:**      **SOURCE AND SUPPLY AND QUALITY**

##### AMERICAN IRON AND STEEL REQUIREMENTS:

The Contractor acknowledges to and for the benefit of the City of Madison "Purchaser" and the State of Wisconsin (the "State") that it understands the goods and services under this Agreement are being funded with monies made available by the Clean Water State Revolving Fund and/or Drinking Water State Revolving Fund that have statutory requirements commonly known as "American Iron and Steel;" that requires all of the iron and steel products used in the project to be produced in the United States

("American Iron and Steel Requirement") including iron and steel products provided by the Contactor pursuant to this Agreement.

The Contractor hereby represents and warrants to and for the benefit of the Purchaser and the State that (a) the Contractor has reviewed and understands the American Iron and Steel Requirement, (b) all of the iron and steel products used in the project will be and/or have been produced in the United States in a manner that complies with the American Iron and Steel Requirement, unless a waiver of the requirement is approved, and (c) the Contractor will provide any further verified information, certification or assurance of compliance with this paragraph, or information necessary to support a waiver of the American Iron and Steel Requirement, as may be requested by the Purchaser or the State.

Notwithstanding any other provision of this Agreement, any failure to comply with this paragraph by the Contractor shall permit the Purchaser or State to recover as damages against the Contractor any loss, expense, or cost (including without limitation attorney's fees) incurred by the Purchaser or State resulting from any such failure (including without limitation any impairment or loss of funding, whether in whole or in part, from the State or any damages owed to the State by the Purchaser).

While the Contractor has no direct contractual privity with the State, as a lender to the Purchaser for the funding of its project, the Purchaser and the Contractor agree that the State is a third-party beneficiary and neither this section (nor any other provision of this Agreement necessary to give this section force or effect) shall be amended or waived without the prior written consent of the State.

The following information is provided as a sample letter of step certification for AIS compliance. Documentation must be provided on company letterhead.

---

Date  
Company Name  
Company Address  
City, State Zip

Subject: American Iron and Steel Step Certification for Project (XXXXXXXXXX)

I, (company representative), certify that the (melting, bending, coating, galvanizing, cutting, etc.) process for (manufacturing or fabricating) the following products and/or materials shipped or provided for the subject project is in full compliance with the American Iron and Steel requirement as mandated in EPA's State Revolving Fund Programs.

Item, Products and/or Materials:

- 1. Xxx
- 2. Xxx

Such process took place at the following location:

If any of the above compliance statements change while providing material to this project we will immediately notify the prime contractor and the engineer.

[Signature of company representative]

---

**ARTICLE 109.2      PROSECUTION OF WORK**

Work shall begin after any pre-construction submittals are approved and the start work letter is received. Submit any proposed constructions schedules prior to mobilization.

**Work at Unit Well 12 shall be completed within a 30 calendar day period between November 1, 2022 and February 24, 2023.**

Work shall begin at Unit Well 26 on February 27, 2023 and shall be completed within 30 calendar days.

Work dates are set based on the most recent information for the pump manufacture and delivery dates for each unit well pump, and may be adjusted as mutually agreed if those dates change according to the manufacturer.

**BID ITEM 90000      UNIT WELL 12**

Description: Complete all of the required construction and installation of all building components related to Unit Well 12, including the turn-in of all deliverables as outlined in the plans and specifications.

Method of Measurement: Measured as a Lump Sum of the required construction and installations described in the plans and specifications.

**BID ITEM 90001      UNIT WELL 26**

Description: Complete all of the required construction and installation of all building components related to Unit Well 26, including the turn-in of all deliverables as outlined in the plans and specifications.

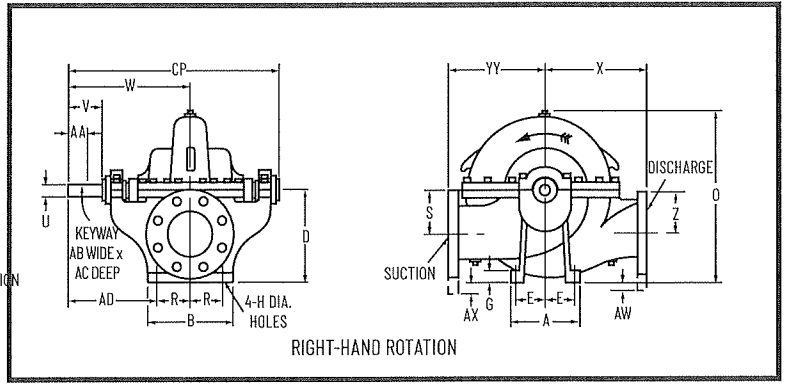
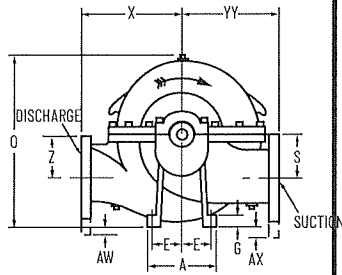
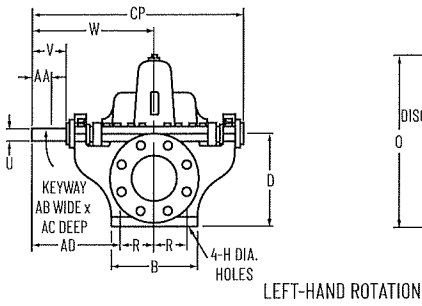
Method of Measurement: Measured as a Lump Sum of the required construction and installations described in the plans and specifications.

**[Setting plans on next pages]**



# UNIT WELL 12

## Dimensional Data – 1800 Horizontal Split Case Pumps



PUMP	DISCH.	SUCT.	POWER SERIES	A	B	D	E	G	H	O	R	S	U	V	W	X	Z	AA	AB	AC	AD	AW	AX	CP	YY
6" 1823HH	6	8	5A	12 (305)	14-1/2 (368)	16-1/2 (351)	5 (127)	1-1/4 (32)	7/8 (22)	26-21/32 (809)	6 (152)	7-1/2 (191)	1-3/4 (44)	4-1/8 (105)	20-7/16 (519)	15 (381)	7-1/2 (191)	2-7/8 (73)	3/8 (10)	3/16 (5)	14-7/16 (367)	-	-	36-3/4 (933)	17 (432)
6" 1823	6	8	5	12 (305)	14 (356)	13-1/2 (343)	5 (127)	1 (25)	7/8 (22)	24-7/8 (632)	6 (152)	6-3/4 (171)	1-3/4 (44)	4 (102)	18 (457)	14-1/4 (362)	6-3/4 (171)	2-7/8 (73)	3/8 (10)	3/16 (5)	12 (305)	-	3/4 (19)	32 (813)	16-3/4 (425)
6" 1824	6	8	5	12 (305)	14 (356)	14-3/4 (375)	5 (127)	3/4 (19)	7/8 (22)	27-1/4 (692)	6 (152)	8 (203)	1-3/4 (44)	4 (102)	18 (457)	16 (406)	8 (203)	2-7/8 (73)	3/8 (10)	3/16 (5)	12 (305)	-	3/4 (19)	32 (813)	18 (457)
6" 1825	6	8	5	12 (305)	14 (356)	14-3/4 (375)	5 (127)	1 (25)	7/8 (22)	27-3/4 (705)	6 (152)	8 (203)	1-3/4 (44)	4 (102)	18 (457)	15-3/4 (400)	8 (203)	2-7/8 (73)	3/8 (10)	3/16 (5)	12 (305)	-	3/4 (19)	32 (813)	18 (457)
8" 1822	8	10	5	12 (305)	14 (356)	14-3/4 (375)	5 (127)	1-1/4 (32)	7/8 (22)	26-3/8 (670)	6 (152)	8 (203)	1-3/4 (44)	4 (102)	18 (457)	17 (432)	9 (229)	2-7/8 (73)	3/8 (10)	3/16 (5)	12 (305)	1-3/4 (44)	2 (51)	32 (813)	17-3/4 (451)
8" 1823	8	10	5	12 (305)	14 (356)	14-3/4 (375)	5 (127)	1-1/4 (32)	7/8 (22)	26-5/8 (676)	6 (152)	8 (203)	1-3/4 (44)	4 (102)	18 (457)	17 (432)	9 (229)	2-7/8 (73)	3/8 (10)	3/16 (5)	12 (305)	1-3/4 (44)	2 (51)	32 (813)	17-3/4 (451)
8" 1824	8	10	5	12 (305)	14 (356)	14-3/4 (375)	5 (127)	1-1/4 (32)	7/8 (22)	27-1/8 (689)	6 (152)	8 (203)	1-3/4 (44)	4 (102)	18 (457)	17 (432)	8 (203)	2-7/8 (73)	3/8 (10)	3/16 (5)	12 (305)	3/4 (19)	2 (51)	32 (813)	17-3/4 (451)
8" 1825	8	10	6B	20 (508)	17 (432)	18-1/2 (470)	9 (229)	1 (25)	7/8 (22)	32-1/2 (826)	7-1/2 (191)	9-1/2 (241)	2-1/8 (54)	5-7/16 (138)	21-7/8 (556)	18 (457)	9-1/2 (241)	4-3/4 (121)	1/2 (13)	1/4 (6)	14-3/8 (365)	-	-	38 (985)	21 (533)
10" 1822B	10	12	6B	15 (381)	22 (559)	23 (584)	6-1/2 (165)	1 (25)	7/8 (22)	35-1/2 (902)	10 (254)	12 (305)	2-1/8 (54)	5-7/16 (138)	21-7/8 (556)	16 (406)	12 (305)	4-3/4 (121)	1/2 (13)	1/4 (6)	11-7/8 (302)	-	-	38 (985)	19 (483)
10" 1823B&C	10	12	6B	15 (381)	22 (559)	25 (635)	6-1/2 (165)	1 (25)	7/8 (22)	38-1/2 (978)	10 (254)	13-1/2 (343)	2-1/8 (54)	5-7/16 (138)	21-7/8 (556)	17 (432)	13-1/2 (343)	4-3/4 (121)	1/2 (13)	1/4 (6)	11-7/8 (302)	-	-	38 (985)	20 (508)
10" 1824	10	12	6B	15 (381)	22 (559)	25 (635)	6-1/2 (165)	1 (25)	7/8 (22)	39-1/2 (1003)	10 (254)	13-1/2 (343)	2-1/8 (54)	5-7/16 (138)	21-7/8 (556)	18 (457)	13-1/2 (343)	4-3/4 (121)	1/2 (13)	1/4 (6)	11-7/8 (302)	-	-	38 (985)	22 (559)
10" 1824D	10	12	7A	15 (381)	22 (559)	25 (635)	6-1/2 (165)	1-1/4 (32)	7/8 (22)	40-3/8 (1026)	10 (254)	12-1/4 (311)	2-1/8 (54)	5-3/4 (146)	24-5/16 (618)	20 (508)	12-1/4 (311)	4-3/4 (121)	1/2 (13)	1/4 (6)	14-5/16 (364)	-	-	42-15/16 (1090)	24 (610)
8" 1826	8	12	7	15 (381)	22 (559)	26 (660)	6-1/2 (165)	1-1/8 (29)	7/8 (22)	43-7/8 (1114)	10 (254)	15 (381)	2-1/2 (64)	6-5/8 (168)	25-1/4 (641)	20 (508)	15 (381)	5 (127)	5/8 (16)	5/16 (8)	15-1/4 (387)	-	-	43-7/8 (1114)	25 (635)
12" 1823B	12	14	7	15 (381)	22 (559)	24 (610)	6-1/2 (165)	1 (25)	7/8 (22)	39 (991)	10 (254)	15 (343)	2-1/2 (64)	6-5/8 (168)	25-1/4 (641)	17 (432)	15 (381)	5 (127)	5/8 (16)	5/16 (8)	15-1/4 (387)	1-1/4 (32)	2-1/2 (64)	43-7/8 (1114)	22 (559)
12" 1824	12	14	7	15 (381)	22 (559)	24 (610)	6-1/2 (165)	1 (25)	7/8 (22)	40-1/8 (1019)	10 (254)	15 (381)	2-1/2 (64)	6-5/8 (168)	25-1/4 (641)	18 (457)	15 (381)	5 (127)	5/8 (16)	5/16 (8)	15-1/4 (387)	1-1/4 (32)	2-1/2 (64)	43-7/8 (1114)	23 (584)
14" 1824	14	16	7	15 (381)	22 (559)	29-1/4 (743)	6-1/2 (165)	1 (25)	7/8 (22)	47-1/2 (1207)	10 (254)	16 (406)	2-1/2 (64)	6-5/8 (168)	25-1/4 (641)	22 (559)	16 (406)	5 (127)	5/8 (16)	5/16 (8)	15-1/4 (387)	-	-	43-7/8 (1114)	27 (686)

**NOTES:**

All dimensions in inches (mm).  
Dimensions may vary ± 3/8" (10).

Not for construction purposes unless certified.  
Discharge and suction flanges - ANSI Standard flat face.

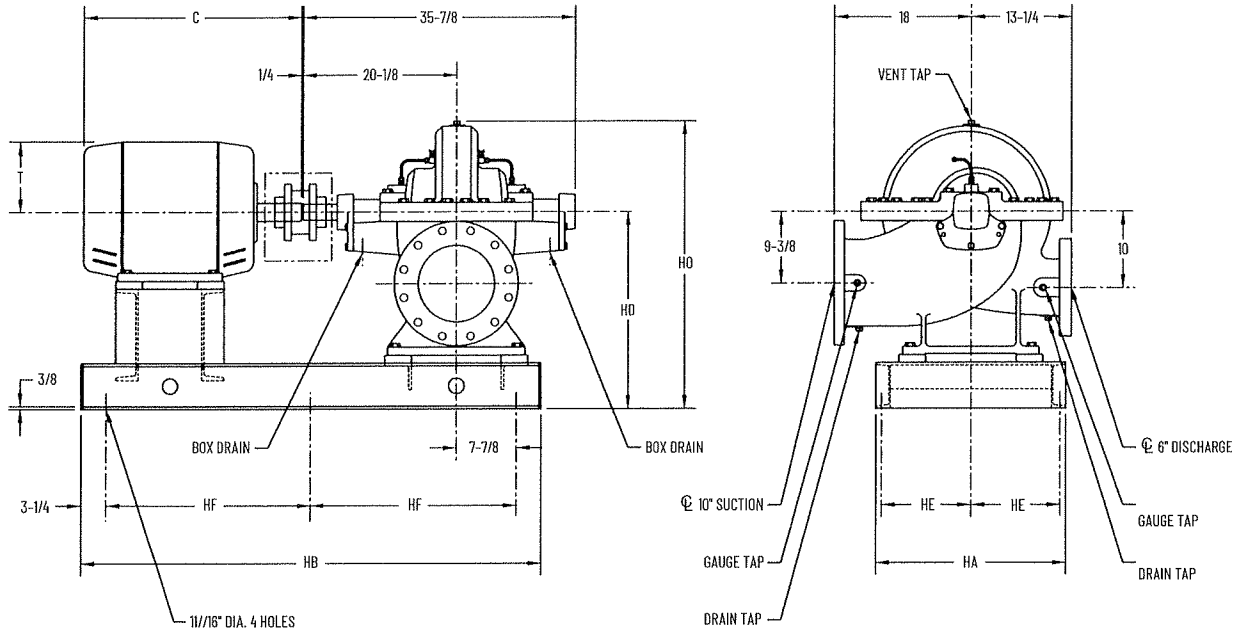
STD. 125# FLANGES	OPT. 250# FLANGES



# UNIT WELL 26

## Typical Specifications – SETTING PLAN 6" 2823 C

### OPTIONAL STRUCTURAL BASE



CLOCKWISE ROTATION SHOWN

UNIT DIMENSIONS								
MOTOR FRAME SIZE	BASE					MOTOR		
	HA	HB	HD	HE	HF	HO	C	T
256T	19	54-1/2	25-3/4	8-3/4	24	37-1/16	22-3/8	6-3/8
284TS	19	54-1/2	25-3/4	8-3/4	24	37-1/16	22-1/8	7
284T	19	54-1/2	25-3/4	8-3/4	24	37-1/16	23-1/2	7
286TS	19	54-1/2	25-3/4	8-3/4	24	37-1/16	23-5/8	7
286T	19	54-1/2	25-3/4	8-3/4	24	37-1/16	25	7
324TS	19	54-1/2	25-3/4	8-3/4	24	37-1/16	24-5/8	8
324T	19	60-1/2	25-3/4	8-3/4	24	37-1/16	26-1/8	8
326TS	19	60-1/2	25-3/4	8-3/4	27	37-1/16	26-1/8	8
326T	19	60-1/2	25-3/4	8-3/4	27	37-1/16	27-5/8	8
364TS	25	60-1/2	25-3/4	11-3/4	27	37-1/16	26-5/8	9-1/4
364T	25	60-1/2	25-3/4	11-3/4	27	37-1/16	28-3/4	9-1/4

UNIT DIMENSIONS								
MOTOR FRAME SIZE	BASE					MOTOR		
	HA	HB	HD	HE	HF	HO	C	T
365TS	25	60-1/2	25-3/4	11-3/4	27	37-1/16	27-5/8	9-1/4
365T	25	60-1/2	25-3/4	11-3/4	27	37-1/16	29-3/4	9-1/4
404TS	25	60-1/2	25-3/4	11-3/4	27	37-1/16	29-5/8	10-1/4
404T	25	60-1/2	25-3/4	11-3/4	27	37-1/16	32-5/8	10-1/4
405TS	25	60-1/2	25-3/4	11-3/4	27	37-1/16	31-1/8	10-1/4
405T	25	66-1/2	25-3/4	11-3/4	30	37-1/16	34-1/8	10-1/4
444TS	25	66-1/2	25-3/4	11-3/4	30	37-1/16	34-1/8	11-1/4
444T	25	72-1/2	25-3/4	12	33	37-1/16	37-7/8	11-1/4
445TS	25	66-1/2	25-3/4	11-3/4	30	37-1/16	36-1/8	11-1/4
445T	25-3/4	72-1/2	27-3/4	12	33	39-1/16	39-7/8	11-1/4

**NOTES:**

All flanges are standard 125# ANSI drilling. Optional 250# ANSI flanges are available.

All dimensions are in inches unless noted.

Rotation is always viewed from the driver end. For C.C.W. rotation, suction and discharge positions will be on opposite sides of that shown above and dimensions in the end view will be reversed.

Bases are designed to be completely filled with grout.

Not for construction, installation, or application purposes unless certified. Dimensions shown may vary due to normal manufacturing tolerances.



Department of Public Works  
**Engineering Division**

---

City-County Building, Room 115  
210 Martin Luther King, Jr. Boulevard  
Madison, Wisconsin 53703  
Phone: (608) 266-4751  
Fax: (608) 264-9275  
[engineering@cityofmadison.com](mailto:engineering@cityofmadison.com)  
[www.cityofmadison.com/engineering](http://www.cityofmadison.com/engineering)

September 27, 2022

**NOTICE OF ADDENDUM  
ADDENDUM NO. 1  
CONTRACT NO. 9228  
REPLACEMENT OF BOOSTER PUMPS AND ASSOCIATED  
PIPING/APPURTENANCES AT UNIT WELLS 12 & 26**

Revise and amend the contract document(s) for the above project as stated in this addendum, otherwise, the original document shall remain in effect.

---

**SPECIFICATIONS:**

REMOVE: The following paragraph from Page D-2:

*"Work shall begin at Unit Well 12 no later than November 15, 2022 and shall be completed within 30 calendar days."*

ADD: The following paragraph to Page D-2:

*"Work at Unit Well 12 shall be completed within a 30 calendar day period between November 1, 2022 and February 24, 2023."*

REPLACE: SECTION K in its entirety, which contains updated Davis-Bacon wage determinations.

---

The Bid Submission Deadline (Date and/or Time) has **not** been modified as a result of this addendum.

Please acknowledge this addendum on page E-1 of the contract documents and/or in Section E: Bidder's Acknowledgement on Bid Express.

Electronic version of these documents can be found on the Bid Express web site at:  
<http://www.bidexpress.com>

If you are unable to download plan revisions associated with the addendum, please contact the Engineering office at 608-266-4751 receive the material by another route.

Sincerely,

Pete Holmgren, PE  
Chief Engineer  
Madison Water Utility

("American Iron and Steel Requirement") including iron and steel products provided by the Contactor pursuant to this Agreement.

The Contractor hereby represents and warrants to and for the benefit of the Purchaser and the State that (a) the Contractor has reviewed and understands the American Iron and Steel Requirement, (b) all of the iron and steel products used in the project will be and/or have been produced in the United States in a manner that complies with the American Iron and Steel Requirement, unless a waiver of the requirement is approved, and (c) the Contractor will provide any further verified information, certification or assurance of compliance with this paragraph, or information necessary to support a waiver of the American Iron and Steel Requirement, as may be requested by the Purchaser or the State.

Notwithstanding any other provision of this Agreement, any failure to comply with this paragraph by the Contractor shall permit the Purchaser or State to recover as damages against the Contractor any loss, expense, or cost (including without limitation attorney's fees) incurred by the Purchaser or State resulting from any such failure (including without limitation any impairment or loss of funding, whether in whole or in part, from the State or any damages owed to the State by the Purchaser).

While the Contractor has no direct contractual privity with the State, as a lender to the Purchaser for the funding of its project, the Purchaser and the Contractor agree that the State is a third-party beneficiary and neither this section (nor any other provision of this Agreement necessary to give this section force or effect) shall be amended or waived without the prior written consent of the State.

The following information is provided as a sample letter of step certification for AIS compliance. Documentation must be provided on company letterhead.

---

Date  
Company Name  
Company Address  
City, State Zip

Subject: American Iron and Steel Step Certification for Project (XXXXXXXXXX)

I, (company representative), certify that the (melting, bending, coating, galvanizing, cutting, etc.) process for (manufacturing or fabricating) the following products and/or materials shipped or provided for the subject project is in full compliance with the American Iron and Steel requirement as mandated in EPA's State Revolving Fund Programs.

Item, Products and/or Materials:  
1. Xxx  
2. Xxx

Such process took place at the following location:

If any of the above compliance statements change while providing material to this project we will immediately notify the prime contractor and the engineer.

[Signature of company representative]

---

**ARTICLE 109.2      PROSECUTION OF WORK**

Work shall begin after any pre-construction submittals are approved and the start work letter is received. Submit any proposed constructions schedules prior to mobilization.

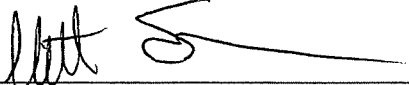
**Work at Unit Well 12 shall be completed within a 30 calendar day period between November 1, 2022 and February 24, 2023.**

**SECTION E: BIDDERS ACKNOWLEDGEMENT**

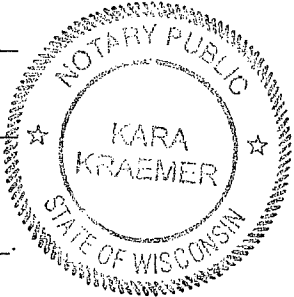
**REPLACEMENT OF BOOSTER PUMPS AND ASSOCIATED  
PIPING/APPURTENANCES AT UNIT WELLS 12 & 26  
CONTRACT NO. 9228**

Bidder must state a Unit Price and Total Bid for each item. The Total Bid for each item must be the product of quantity, by Unit Price. The Grand Total must be the sum of the Total Bids for the various items. In case of multiplication errors or addition errors, the Grand Total with corrected multiplication and/or addition shall determine the Grand Total bid for each contract. The Unit Price and Total Bid must be entered numerically in the spaces provided. All words and numbers shall be written in ink.

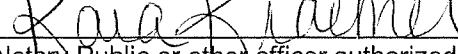
1. The undersigned having familiarized himself/herself with the Contract documents, including Advertisement for Bids, Instructions to Bidders, Form of Proposal, City of Madison Standard Specifications for Public Works Construction - 2022 Edition thereto, Form of Agreement, Form of Bond, and Addenda issued and attached to the plans and specifications on file in the office of the City Engineer, hereby proposes to provide and furnish all the labor, materials, tools, and expendable equipment necessary to perform and complete in a workmanlike manner the specified construction on this project for the City of Madison; all in accordance with the plans and specifications as prepared by the City Engineer, including Addenda Nos. 01 through 01 to the Contract, at the prices for said work as contained in this proposal. (Electronic bids submittals shall acknowledge addendum under Section E and shall not acknowledge here)
2. If awarded the Contract, we will initiate action within seven (7) days after notification or in accordance with the date specified in the contract to begin work and will proceed with diligence to bring the project to full completion within the number of work days allowed in the Contract or by the calendar date stated in the Contract.
3. The undersigned Bidder or Contractor certifies that he/she is not a party to any contract, combination in form of trust or otherwise, or conspiracy in restraint of trade or commerce or any other violation of the anti-trust laws of the State of Wisconsin or of the United States, with respect to this bid or contract or otherwise.
4. I hereby certify that I have met the Bid Bond Requirements as specified in Section 102.5. (IF BID BOND IS USED, IT SHALL BE SUBMITTED ON THE FORMS PROVIDED BY THE CITY. FAILURE TO DO SO MAY RESULT IN REJECTION OF THE BID).
5. I hereby certify that all statements herein are made on behalf of Monona Plumbing and Fire Protection, Inc. (name of corporation, partnership, or person submitting bid) a corporation organized and existing under the laws of the State of Wisconsin a ~~partnership~~ consisting of \_\_\_\_\_; an individual trading as \_\_\_\_\_; of the City of \_\_\_\_\_ State of \_\_\_\_\_; that I have examined and carefully prepared this Proposal, from the plans and specifications and have checked the same in detail before submitting this Proposal; that I have fully authority to make such statements and submit this Proposal in (its, their) behalf; and that the said statements are true and correct.

  
\_\_\_\_\_  
SIGNATURE

Plumbing Contract Department Manager  
\_\_\_\_\_  
TITLE, IF ANY



Sworn and subscribed to before me this  
29th day of September, 2022.

  
\_\_\_\_\_  
(Notary Public or other officer authorized to administer oaths)  
My Commission Expires 12/26/2022

Bidders shall not add any conditions or qualifying statements to this Proposal.

## SECTION F: BEST VALUE CONTRACTING

### REPLACEMENT OF BOOSTER PUMPS AND ASSOCIATED PIPING/APPURTENANCES AT UNIT WELLS 12 & 26 CONTRACT NO. 9228

#### Best Value Contracting

1. The Contractor shall indicate the non-apprenticeable trades used on this contract.

---

---

2. Madison General Ordinance (M.G.O.), 33.07(7), does provide for some exemptions from the active apprentice requirement. Apprenticeable trades are those trades considered apprenticeable by the State of Wisconsin. Please check applicable box if you are seeking an exemption.

- Contractor has a total skilled workforce of four or less individuals in all apprenticeable trades combined.
- No available trade training program; The Contractor has been rejected by the only available trade training program, or there is no trade training program within 90 miles.
- Contractor is not using an apprentice due to having a journey worker on layoff status, provided the journey worker was employed by the contractor in the past six months.
- First-time Contractor on City of Madison Public Works contract requests a onetime exemption but intends to comply on all future contracts and is taking steps typical of a "good faith" effort.
- Contractor has been in business less than one year.
- Contractor doesn't have enough journeyman trade workers to qualify for a trade training program in that respective trade.
- An exemption is granted in accordance with a time period of a "Documented Depression" as defined by the State of Wisconsin.

3. The Contractor shall indicate on the following section which apprenticeable trades are to be used on this contract. Compliance with active apprenticeship, to the extent required by M.G.O. 33.07(7), shall be satisfied by documentation from an applicable trade training body; an apprenticeship contract with the Wisconsin Department of Workforce Development or a similar agency in another state; or the U.S Department of Labor. This documentation is required prior to the Contractor beginning work on the project site.

- The Contractor has reviewed the list and shall not use any apprenticeable trades on this project.

**LIST APPRENTICABLE TRADES** (check all that apply to your work to be performed on this contract)

- BRICKLAYER
- CARPENTER
- CEMENT MASON / CONCRETE FINISHER
- CEMENT MASON (HEAVY HIGHWAY)
- CONSTRUCTION CRAFT LABORER
- DATA COMMUNICATION INSTALLER
- ELECTRICIAN
- ENVIRONMENTAL SYSTEMS TECHNICIAN / HVAC SERVICE TECH/HVAC INSTALL / SERVICE
- GLAZIER
- HEAVY EQUIPMENT OPERATOR / OPERATING ENGINEER
- INSULATION WORKER (HEAT & FROST)
- IRON WORKER
- IRON WORKER (ASSEMBLER, METAL BLDGS)
- PAINTER & DECORATOR
- PLASTERER
- PLUMBER
- RESIDENTIAL ELECTRICIAN
- ROOFER & WATER PROOFER
- SHEET METAL WORKER
- SPRINKLER FITTER
- STEAMFITTER
- STEAMFITTER (REFRIGERATION)
- STEAMFITTER (SERVICE)
- TAPER & FINISHER
- TELECOMMUNICATIONS (VOICE, DATA & VIDEO) INSTALLER-TECHNICIAN
- TILE SETTER

**Environmental Improvement Fund (EIF)  
DBE Contacts Worksheet**  
Form 8700-294A (R 03/17)

State of Wisconsin  
Department of Natural Resources  
Bureau of Community Financial Assistance  
101 S. Webster St., PO Box 7921  
Madison WI 53707-7921  
Phone No. (608) 266-7555 FAX (608) 267-0496  
Website: [dnr.wi.gov/Aid/EIF.html](http://dnr.wi.gov/Aid/EIF.html)

**NOTE:** This form is authorized by chs. NR 162 and NR 166, Wis. Adm. Code. The information requested on this form is necessary for the review of solicitation of Disadvantaged Business Enterprises (DBEs). This form is intended to be a tool to assist those seeking funding from the EIF (Clean Water Fund Program or Safe Drinking Water Loan Program) to meet the DBE requirements of EIF programs. Submitting this form to the Department is optional. Applicants may submit the form as the required documentation of solicitation efforts or provide the information in some other format. Personally identifiable information provided on this form will only be used in determining whether or not DBE requirements are met. Failure to complete or submit this form has no impact on the applicant. For complete information regarding DBE requirements, see the Contract Packet for DBE Compliance on DNR's website at <http://dnr.wi.gov/Aid/documents/EIF/Guide/DBE.html>.

Contact DBEs on a Unified Certification Program (UCP) List to solicit bids from DBE firms (e.g., firms registered in the WisDOT UCP, <http://wisconsindot.gov/pages/doing-bus/civil-rights/dbe/certified-firms.aspx>). The individual that makes the contacts should document all contacts. Contact at least 2 minority business enterprises (MBEs) and 2 women's business enterprises (WBEs); additional contacts may be to any type of DBE. Only contacts made to DBEs on DOT's UCP list can be considered in determining whether a good faith effort was made to solicit DBEs.

<b>Project Information</b>		<b>EIF Project Number</b>	
Name of Municipality		Information Prepared By (Name and Phone or E-Mail Address)	
City of Madison		Matt Sartain, msartain@mononapfp.com	
<b>Contacts</b>		<b>Contact 1</b>	<b>Contact 2</b>
<b>Information Needed For Review</b>		<b>Contact 1</b>	<b>Contact 2</b>
a. Name of Firm Contacted	FirestopPlus, LLC	Express Insulation Inc	Express Insulation Inc
b. Contact's Phone Number or E-Mail	firestopplus@aol.com	joe@expressinsulation.net	joe@expressinsulation.net
c. Firm Type	<input type="radio"/> MBE <input checked="" type="radio"/> WBE <input checked="" type="radio"/> Other DBE (SBE)	<input type="radio"/> MBE <input type="radio"/> WBE <input checked="" type="radio"/> Other DBE	<input type="radio"/> MBE <input type="radio"/> WBE <input type="radio"/> Other DBE
d. On DOT UCP list?	<input type="radio"/> Yes <input checked="" type="radio"/> No	<input checked="" type="radio"/> Yes <input type="radio"/> No	<input type="radio"/> Yes <input type="radio"/> No
e. Date Contacted	9/20/2022	9/20/2022	9/20/2022
f. Result of contact	Response	No Response	No Response
g. Bid received?	<input checked="" type="radio"/> Yes <input type="radio"/> No	<input type="radio"/> Yes <input checked="" type="radio"/> No	<input type="radio"/> Yes <input type="radio"/> No
h. If bid received and rejected, why rejected?			
i. Utilizing this firm? (If yes, more on p. 4)*	<input checked="" type="radio"/> Yes <input type="radio"/> No	<input type="radio"/> Yes <input checked="" type="radio"/> No	<input type="radio"/> Yes <input type="radio"/> No

**Environmental Improvement Fund (EIF)  
DBE Contacts Worksheet**  
Form 8700-294A (R 03/17)

Information Needed For Review	Contact 4	Contact 5	Contact 6
a. Name of Firm Contacted			
b. Contact's Phone Number or E-Mail			
c. Firm Type	<input type="radio"/> MBE <input type="radio"/> WBE <input type="radio"/> Other DBE	<input type="radio"/> MBE <input type="radio"/> WBE <input type="radio"/> Other DBE	<input type="radio"/> MBE <input type="radio"/> WBE <input type="radio"/> Other DBE
d. On DOT UCP list?	<input type="radio"/> Yes <input type="radio"/> No	<input type="radio"/> Yes <input type="radio"/> No	<input type="radio"/> Yes <input type="radio"/> No
e. Date Contacted			
f. Result of contact			
g. Bid received?	<input type="radio"/> Yes <input type="radio"/> No	<input type="radio"/> Yes <input type="radio"/> No	<input type="radio"/> Yes <input type="radio"/> No
h. If bid received and rejected, why rejected?			
i. Utilizing this firm? (If yes, more on p. 4)*	<input type="radio"/> Yes <input type="radio"/> No	<input type="radio"/> Yes <input type="radio"/> No	<input type="radio"/> Yes <input type="radio"/> No
Information Needed For Review	Contact 7	Contact 8	Contact 9
a. Name of Firm Contacted			
b. Contact's Phone Number or E-Mail			
c. Firm Type	<input type="radio"/> MBE <input type="radio"/> WBE <input type="radio"/> Other DBE	<input type="radio"/> MBE <input type="radio"/> WBE <input type="radio"/> Other DBE	<input type="radio"/> MBE <input type="radio"/> WBE <input type="radio"/> Other DBE
d. On DOT UCP list?	<input type="radio"/> Yes <input type="radio"/> No	<input type="radio"/> Yes <input type="radio"/> No	<input type="radio"/> Yes <input type="radio"/> No
e. Date Contacted			
f. Result of contact			
g. Bid received?	<input type="radio"/> Yes <input type="radio"/> No	<input type="radio"/> Yes <input type="radio"/> No	<input type="radio"/> Yes <input type="radio"/> No
h. If bid received and rejected, why rejected?			
i. Utilizing this firm? (If yes, more on p. 4)*	<input type="radio"/> Yes <input type="radio"/> No	<input type="radio"/> Yes <input type="radio"/> No	<input type="radio"/> Yes <input type="radio"/> No



**Environmental Improvement Fund (EIF)  
DBE Contacts Worksheet**  
Form 8700-294A (R 03/17)

Information Needed For Review	Contact 10	Contact 11	Contact 12
a. Name of Firm Contacted			
b. Contact's Phone Number or E-Mail			
c. Firm Type	<input type="radio"/> MBE <input type="radio"/> WBE <input type="radio"/> Other DBE	<input type="radio"/> MBE <input type="radio"/> WBE <input type="radio"/> Other DBE	<input type="radio"/> MBE <input type="radio"/> WBE <input type="radio"/> Other DBE
d. On DOT UCP list?	<input type="radio"/> Yes <input type="radio"/> No	<input type="radio"/> Yes <input type="radio"/> No	<input type="radio"/> Yes <input type="radio"/> No
e. Date Contacted			
f. Result of contact			
g. Bid received?	<input type="radio"/> Yes <input type="radio"/> No	<input type="radio"/> Yes <input type="radio"/> No	<input type="radio"/> Yes <input type="radio"/> No
h. If bid received and rejected, why rejected?			
i. Utilizing this firm? (If yes, more on p. 4)*	<input type="radio"/> Yes <input type="radio"/> No	<input type="radio"/> Yes <input type="radio"/> No	<input type="radio"/> Yes <input type="radio"/> No
Information Needed For Review	Contact 13	Contact 14	Contact 15
a. Name of Firm Contacted			
b. Contact's Phone Number or E-Mail			
c. Firm Type	<input type="radio"/> MBE <input type="radio"/> WBE <input type="radio"/> Other DBE	<input type="radio"/> MBE <input type="radio"/> WBE <input type="radio"/> Other DBE	<input type="radio"/> MBE <input type="radio"/> WBE <input type="radio"/> Other DBE
d. On DOT UCP list?	<input type="radio"/> Yes <input type="radio"/> No	<input type="radio"/> Yes <input type="radio"/> No	<input type="radio"/> Yes <input type="radio"/> No
e. Date Contacted			
f. Result of contact			
g. Bid received?	<input type="radio"/> Yes <input type="radio"/> No	<input type="radio"/> Yes <input type="radio"/> No	<input type="radio"/> Yes <input type="radio"/> No
h. If bid received and rejected, why rejected?			
i. Utilizing this firm? (If yes, more on p. 4)*	<input type="radio"/> Yes <input type="radio"/> No	<input type="radio"/> Yes <input type="radio"/> No	<input type="radio"/> Yes <input type="radio"/> No





OMB Control No: 2090-0030  
 Approved: 8/13/2013  
 Approval Expires: 8/31/2015

**Disadvantaged Business Enterprise (DBE) Program  
 DBE Subcontractor Utilization Form**

This form is intended to capture the prime contractor's actual and/or anticipated use of identified certified DBE<sup>1</sup> subcontractors<sup>2</sup> and the estimated dollar amount of each subcontract. An EPA Financial Assistance Agreement Recipient must require its prime contractors to complete this form and include it in the bid or proposal package. Prime contractors should also maintain a copy of this form on file.

Prime Contractor Name Monona Plumbing and Fire Protection, Inc.		Project Name Replacement of Booster Pumps and Associated Piping Unit Wells 12 & 26	
Bid/ Proposal No.	Assistance Agreement ID No. (if known)	Point of Contact Matt Sartain	
Address 3126 Watford Way, Madison, WI 53713			
Telephone No. (608) 273-4556		Email Address msartain@mononapfp.com	
Issuing/Funding Entity:			

I have identified potential DBE certified subcontractors	<input checked="" type="checkbox"/> YES	<input type="checkbox"/> NO	
If yes, please complete the table below. If no, please explain:			
Subcontractor Name/ Company Name	Company Address/ Phone/ Email	Est. Dollar Amt	Currently DBE Certified?
FirestopPlus, LLC	4852 Hwy DM, DeForest, WI 53532 (608) 516-1347 firestopplus@aol.com	\$17,790.00	SBE
Express Insulation Inc.	9450 WI-175, Theresa, WI 53091 (920) 488-2717 joe@expressinsulation.net	No Bid	Yes
Continue on back if needed			


<sup>1</sup> A DBE is a Disadvantaged, Minority, or Woman Business Enterprise that has been certified by an entity from which EPA accepts certifications as described in 40 CFR 33.204-33.205 or certified by EPA. EPA accepts certifications from entities that meet or exceed EPA certification standards as described in 40 CFR 33.202.

<sup>2</sup> Subcontractor is defined as a company, firm, joint venture, or individual who enters into an agreement with a contractor to provide services pursuant to an EPA award of financial assistance.

**EPA FORM 6100-4 (DBE Subcontractor Utilization Form)**

**Disadvantaged Business Enterprise (DBE) Program  
DBE Subcontractor Utilization Form**

I certify under penalty of perjury that the forgoing statements are true and correct. Signing this form does not signify a commitment to utilize the subcontractors above. I am aware of that in the event of a replacement of a subcontractor, I will adhere to the replacement requirements set forth in 40 CFR Part 33 Section 33.302 (c).

<b>Prime Contractor Signature</b>	<b>Print Name</b>
	Matt Sartain
<b>Title</b>	<b>Date</b>
Department Manager	09/29/2022

The public reporting and recordkeeping burden for this collection of information is estimated to average three (3) hours per response. Send comments on the Agency's need for this information, the accuracy of the provided burden estimates, and any suggested methods for minimizing respondent burden, including through the use of automated collection techniques to the Director, Collection Strategies Division, U.S. Environmental Protection Agency (2822T), 1200 Pennsylvania Ave., NW, Washington, D.C. 20460. Include the OMB control number in any correspondence. Do not send the completed form to this address.

**EPA FORM 6100-4 (DBE Subcontractor Utilization Form)**

**REPLACEMENT OF BOOSTER PUMPS AND ASSOCIATED PIPING/APPURTENANCES AT UNIT WELLS 12 & 26**

CONTRACT NO. 9228

DATE: 9/29/22

**Monona Plumbing and Fire  
Protection, Inc.**

Item	Quantity	Price	Extension
<b>Section B: Proposal Page</b>			
10911a - Mobilization at Unit Well 12 - LUMP SUM	1.00	\$1,500.00	\$1,500.00
90000 - Removal of Unit Well 12 existing pump and associated piping/fittings/ancillaries as shown on plans; installation of 200 HP Fairbanks Split Case Centrifugal Booster Pump and motor (supplied by MWU); installation of new piping/fittings/ancillaries (supplied by Contractor) as specified and illustrated in the attached drawings and pump manufacturer setting plans and documents. - LUMP SUM	1.00	\$73,239.00	\$73,239.00
10911b - Mobilization at Unit Well 26 - LUMP SUM	1.00	\$1,500.00	\$1,500.00
90001 - 90001 - Removal of Unit Well 26 existing pump and associated piping/fittings/ancillaries as shown on plans; installation of 100 HP Fairbanks Split Case Centrifugal Booster Pump and motor (supplied by MWU); installation of new piping/fittings/ancillaries (supplied by Contractor) as specified and illustrated in the attached drawings and pump manufacturer setting plans and documents. - LUMP SUM	1.00	\$78,935.00	\$78,935.00
<b>4 Items</b>	<b>Totals</b>		<b>\$155,174.00</b>

## SECTION G: BID BOND

LET ALL KNOW BY THESE DOCUMENTS PRESENTED, THAT Principal and Surety, as identified below, are held and firmly bound unto the City of Madison, (hereinafter referred to as the "Obligee"), in the sum of five per cent (5%) of the amount of the total bid or bids of the Principal herein accepted by the Obligee, for the payment of which the Principal and the Surety bind themselves, their heirs, executors, administrators, successors and assigns, jointly and severally, firmly by these presents.

The conditions of this obligation are such that, whereas the Principal has submitted, to the City of Madison a certain bid, including the related alternate, and substitute bids attached hereto and hereby made a part hereof, to enter into a contract in writing for the construction of:

### **REPLACEMENT OF BOOSTER PUMPS AND ASSOCIATED PIPING/APPURTENANCES AT UNIT WELLS 12 & 26 CONTRACT NO. 9228**

1. If said bid is rejected by the Obligee, then this obligation shall be void.
2. If said bid is accepted by the Obligee and the Principal shall execute and deliver a contract in the form specified by the Obligee (properly completed in accordance with said bid) and shall furnish a bond for his/her faithful performance of said contract, and for the payment of all persons performing labor or furnishing materials in connection therewith, and shall in all other respects perform the agreement created by the acceptance of said bid, then this obligation shall be void.

If said bid is accepted by the Obligee and the Principal shall fail to execute and deliver the contract and the performance and payment bond noted in 2. above executed by this Surety, or other Surety approved by the City of Madison, all within the time specified or any extension thereof, the Principal and Surety agree jointly and severally to forfeit to the Obligee as liquidated damages the sum mentioned above, it being understood that the liability of the Surety for any and all claims hereunder shall in no event exceed the sum of this obligation as stated, and it is further understood that the Principal and Surety reserve the right to recover from the Obligee that portion of the forfeited sum which exceed the actual liquidated damages incurred by the Obligee.

The Surety, for value received, hereby stipulates and agrees that the obligations of said Surety and its bond shall be in no way impaired or affected by an extension of the time within which the Obligee may accept such bid, and said Surety does hereby waive notice of any such extension.

IN WITNESS WHEREOF, the Principal and the Surety have hereunto set their hands and seals, and such of them as are corporations have caused their corporate seals to be hereto affixed and these presents to be signed by their proper officers, on the day and year set forth below.

Seal PRINCIPAL

Monona Plumbing and Fire Protection, Inc.

Name of Principal

Lisa Reiter

By

September 29, 2022

Date

Lisa Reiter, HR Manager

Name and Title

Seal SURETY

Fidelity and Deposit Company of Maryland

Name of Surety

Jenny L. Hirth

By

September 29, 2022

Date

Jenny L. Hirth, Attorney-in-Fact

Name and Title

This certifies that I have been duly licensed as an agent for the above company in Wisconsin under National Provider No. 6523593 for the year 2022, and appointed as attorney in fact with authority to execute this bid bond and the payment and performance bond referred to above, which power of attorney has not been revoked.

September 29, 2022

Date

Jenny L. Hirth

Agent Signature

740 Regent Street, Suite 400

Address

Madison, WI 53715

City, State and Zip Code

(608) 257-3795

Telephone Number

#### NOTE TO SURETY & PRINCIPAL

The bid submitted which this bond guarantees shall be rejected if the following instrument is not attached to this bond:

Power of Attorney showing that the agent of Surety is currently authorized to execute bonds on behalf of the Surety, and in the amounts referenced above.

**ZURICH AMERICAN INSURANCE COMPANY  
COLONIAL AMERICAN CASUALTY AND SURETY COMPANY  
FIDELITY AND DEPOSIT COMPANY OF MARYLAND  
POWER OF ATTORNEY**

KNOW ALL MEN BY THESE PRESENTS: That the ZURICH AMERICAN INSURANCE COMPANY, a corporation of the State of New York, the COLONIAL AMERICAN CASUALTY AND SURETY COMPANY, a corporation of the State of Illinois, and the FIDELITY AND DEPOSIT COMPANY OF MARYLAND a corporation of the State of Illinois (herein collectively called the "Companies"), by **Robert D. Murray, Vice President**, in pursuance of authority granted by Article V, Section 8, of the By-Laws of said Companies, which are set forth on the reverse side hereof and are hereby certified to be in full force and effect on the date hereof, do hereby nominate, constitute, and appoint Judith A. WALKER, Jenny L. HIRTH, David ZENOBI, Patrick A. MCKENNA, Brooke L. PARKER, Kathryn A. WEIDNER, Jay A. ZAHN, Lynn E. POTTER of Madison, Wisconsin, its true and lawful agent and Attorney-in-Fact, to make, execute, seal and deliver, for, and on its behalf as surety, and as its act and deed: **any and all bonds and undertakings**, and the execution of such bonds or undertakings in pursuance of these presents, shall be as binding upon said Companies, as fully and amply, to all intents and purposes, as if they had been duly executed and acknowledged by the regularly elected officers of the ZURICH AMERICAN INSURANCE COMPANY at its office in New York, New York., the regularly elected officers of the COLONIAL AMERICAN CASUALTY AND SURETY COMPANY at its office in Owings Mills, Maryland., and the regularly elected officers of the FIDELITY AND DEPOSIT COMPANY OF MARYLAND at its office in Owings Mills, Maryland., in their own proper persons.

The said Vice President does hereby certify that the extract set forth on the reverse side hereof is a true copy of Article V, Section 8, of the By-Laws of said Companies, and is now in force.

IN WITNESS WHEREOF, the said Vice-President has hereunto subscribed his/her names and affixed the Corporate Seals of the said **ZURICH AMERICAN INSURANCE COMPANY, COLONIAL AMERICAN CASUALTY AND SURETY COMPANY, and FIDELITY AND DEPOSIT COMPANY OF MARYLAND**, this 26th day of August, A.D. 2022.



**ATTEST:  
ZURICH AMERICAN INSURANCE COMPANY  
COLONIAL AMERICAN CASUALTY AND SURETY COMPANY  
FIDELITY AND DEPOSIT COMPANY OF MARYLAND**

By: *Robert D. Murray*  
Vice President

By: *Dawn E. Brown*  
Secretary

**State of Maryland  
County of Baltimore**

On this 26th day of August, A.D. 2022, before the subscriber, a Notary Public of the State of Maryland, duly commissioned and qualified, **Robert D. Murray, Vice President and Dawn E. Brown, Secretary** of the Companies, to me personally known to be the individuals and officers described in and who executed the preceding instrument, and acknowledged the execution of same, and being by me duly sworn, depose and saith, that he/she is the said officer of the Company aforesaid, and that the seals affixed to the preceding instrument are the Corporate Seals of said Companies, and that the said Corporate Seals and the signature as such officer were duly affixed and subscribed to the said instrument by the authority and direction of the said Corporations.

IN TESTIMONY WHEREOF, I have hereunto set my hand and affixed my Official Seal the day and year first above written.



Constance A. Dunn, Notary Public  
My Commission Expires: July 9, 2023



**EXTRACT FROM BY-LAWS OF THE COMPANIES**

"Article V, Section 8, Attorneys-in-Fact. The Chief Executive Officer, the President, or any Executive Vice President or Vice President may, by written instrument under the attested corporate seal, appoint attorneys-in-fact with authority to execute bonds, policies, recognizances, stipulations, undertakings, or other like instruments on behalf of the Company, and may authorize any officer or any such attorney-in-fact to affix the corporate seal thereto; and may with or without cause modify or revoke any such appointment or authority at any time."

**CERTIFICATE**

I, the undersigned, Vice President of the ZURICH AMERICAN INSURANCE COMPANY, the COLONIAL AMERICAN CASUALTY AND SURETY COMPANY, and the FIDELITY AND DEPOSIT COMPANY OF MARYLAND, do hereby certify that the foregoing Power of Attorney is still in full force and effect on the date of this certificate; and I do further certify that Article V, Section 8, of the By-Laws of the Companies is still in force.

This Power of Attorney and Certificate may be signed by facsimile under and by authority of the following resolution of the Board of Directors of the ZURICH AMERICAN INSURANCE COMPANY at a meeting duly called and held on the 15th day of December 1998.

RESOLVED: "That the signature of the President or a Vice President and the attesting signature of a Secretary or an Assistant Secretary and the Seal of the Company may be affixed by facsimile on any Power of Attorney...Any such Power or any certificate thereof bearing such facsimile signature and seal shall be valid and binding on the Company."

This Power of Attorney and Certificate may be signed by facsimile under and by authority of the following resolution of the Board of Directors of the COLONIAL AMERICAN CASUALTY AND SURETY COMPANY at a meeting duly called and held on the 5th day of May, 1994, and the following resolution of the Board of Directors of the FIDELITY AND DEPOSIT COMPANY OF MARYLAND at a meeting duly called and held on the 10th day of May, 1990.

RESOLVED: "That the facsimile or mechanically reproduced seal of the company and facsimile or mechanically reproduced signature of any Vice-President, Secretary, or Assistant Secretary of the Company, whether made heretofore or hereafter, wherever appearing upon a certified copy of any power of attorney issued by the Company, shall be valid and binding upon the Company with the same force and effect as though manually affixed.

IN TESTIMONY WHEREOF, I have hereunto subscribed my name and affixed the corporate seals of the said Companies, this 29th day of September, 2022.



*MJ Pethick*  
By: Mary Jean Pethick  
Vice President

**TO REPORT A CLAIM WITH REGARD TO A SURETY BOND, PLEASE SUBMIT A COMPLETE DESCRIPTION OF THE CLAIM INCLUDING THE PRINCIPAL ON THE BOND, THE BOND NUMBER, AND YOUR CONTACT INFORMATION TO:**

Zurich Surety Claims  
1299 Zurich Way  
Schaumburg, IL 60196-1056  
Ph: 800-626-4577

If your jurisdiction allows for electronic reporting of surety claims, please submit to:  
[reportsfclaims@zurichna.com](mailto:reportsfclaims@zurichna.com)

**Authenticity of this bond can be confirmed at [bondvalidator.zurichna.com](http://bondvalidator.zurichna.com) or 410-559-8790**

## SECTION H: AGREEMENT

THIS AGREEMENT made this 29th day of October in the year Two Thousand and Twenty-Two between MONONA PLUMBING AND FIRE PROTECTION, INC. hereinafter called the Contractor, and the City of Madison, Wisconsin, hereinafter called the City.

WHEREAS, the Common Council of the said City of Madison under the provisions of a resolution adopted OCTOBER 25, 2022, and by virtue of authority vested in the said Council, has awarded to the Contractor the work of performing certain construction.

NOW, THEREFORE, the Contractor and the City, for the consideration hereinafter named, agree as follows:

1. **Scope of Work.** The Contractor shall, perform the construction, execution and completion of the following listed complete work or improvement in full compliance with the Plans, Specifications, Standard Specifications, Supplemental Specifications, Special Provisions and contract; perform all items of work covered or stipulated in the proposal; perform all altered or extra work; and shall furnish, unless otherwise provided in the contract, all materials, implements, machinery, equipment, tools, supplies, transportation, and labor necessary to the prosecution and completion of the work or improvements:

**REPLACEMENT OF BOOSTER PUMPS AND ASSOCIATED  
PIPING/APPURTENANCES AT UNIT WELLS 12 & 26  
CONTRACT NO. 9228**

2. **Completion Date/Contract Time.** Construction work must begin within seven (7) calendar days after the date appearing on mailed written notice to do so shall have been sent to the Contractor and shall be carried on at a rate so as to secure full completion SEE SPECIAL PROVISIONS, the rate of progress and the time of completion being essential conditions of this Agreement.
3. **Contract Price.** The City shall pay to the Contractor at the times, in the manner and on the conditions set forth in said specifications, the sum of ONE HUNDRED FIFTY-FIVE THOUSAND ONE HUNDRED SEVENTY-FOUR AND NO/100 (\$155,174.00) Dollars being the amount bid by such Contractor and which was awarded to him/her as provided by law.
4. **Affirmative Action.** In the performance of the services under this Agreement the Contractor agrees not to discriminate against any employee or applicant because of race, religion, marital status, age, color, sex, disability, national origin or ancestry, income level or source of income, arrest record or conviction record, less than honorable discharge, physical appearance, sexual orientation, gender identity, political beliefs, or student status. The Contractor further agrees not to discriminate against any subcontractor or person who offers to subcontract on this contract because of race, religion, color, age, disability, sex, sexual orientation, gender identity or national origin.

The Contractor agrees that within thirty (30) days after the effective date of this agreement, the Contractor will provide to the City Affirmative Action Division certain workforce utilization statistics, using a form to be furnished by the City.

If the contract is still in effect, or if the City enters into a new agreement with the Contractor, within one year after the date on which the form was required to be provided, the Contractor will provide updated workforce information using a second form, also to be furnished by the City. The second form will be submitted to the City Affirmative Action Division no later than one year after the date on which the first form was required to be provided.

The Contractor further agrees that, for at least twelve (12) months after the effective date of this contract, it will notify the City Affirmative Action Division of each of its job openings at facilities in Dane County for which applicants not already employees of the Contractor are to be considered. The notice will include a job description, classification, qualification and application procedures

and deadlines. The Contractor agrees to interview and consider candidates referred by the Affirmative Action Division if the candidate meets the minimum qualification standards established by the Contractor, and if the referral is timely. A referral is timely if it is received by the Contractor on or before the date started in the notice.

## Articles of Agreement

### Article I

The Contractor shall take affirmative action in accordance with the provisions of this contract to insure that applicants are employed, and that employees are treated during employment without regard to race, religion, color, age, marital status, disability, sex, sexual orientation, gender identity or national origin and that the employer shall provide harassment free work environment for the realization of the potential of each employee. Such action shall include, but not be limited to, the following: employment, upgrading, demotion or transfer, recruitment or recruitment advertising, layoff or termination, rates of pay or other forms of compensation and selection for training including apprenticeship insofar as it is within the control of the Contractor. The Contractor agrees to post in conspicuous places available to employees and applicants notices to be provided by the City setting out the provisions of the nondiscrimination clauses in this contract.

### Article II

The Contractor shall in all solicitations or advertisements for employees placed by or on behalf of the Contractors state that all qualified or qualifiable applicants will be employed without regard to race, religion, color, age, marital status, disability, sex, sexual orientation, gender identity or national origin.

### Article III

The Contractor shall send to each labor union or representative of workers with which it has a collective bargaining agreement or other contract or understanding a notice to be provided by the City advising the labor union or worker's representative of the Contractor's equal employment opportunity and affirmative action commitments. Such notices shall be posted in conspicuous places available to employees and applicants for employment.

### Article V

The Contractor agrees that it will comply with all provisions of the Affirmative Action Ordinance of the City of Madison, including the contract compliance requirements. The Contractor agrees to submit the model affirmative action plan for public works contractors in a form approved by the Affirmative Action Division Manager.

### Article VI

The Contractor will maintain records as required by Section 39.02(9)(f) of the Madison General Ordinances and will provide the City Affirmative Action Division with access to such records and to persons who have relevant and necessary information, as provided in Section 39.02(9)(f). The City agrees to keep all such records confidential, except to the extent that public inspection is required by law.

### Article VII

In the event of the Contractor's or subcontractor's failure to comply with the Equal Employment Opportunity and Affirmative Action Provisions of this contract or Section 39.03 and 39.02 of the Madison General Ordinances, it is agreed that the City at its option may do any or all of the following:

1. Cancel, terminate or suspend this Contract in whole or in part.

2. Declare the Contractor ineligible for further City contracts until the Affirmative Action requirements are met.
3. Recover on behalf of the City from the prime Contractor 0.5 percent of the contract award price for each week that such party fails or refuses to comply, in the nature of liquidated damages, but not to exceed a total of five percent (5%) of the contract price, or ten thousand dollars (\$10,000), whichever is less. Under public works contracts, if a subcontractor is in noncompliance, the City may recover liquidated damages from the prime Contractor in the manner described above. The preceding sentence shall not be construed to prohibit a prime Contractor from recovering the amount of such damage from the non-complying subcontractor.

#### Article VIII

The Contractor shall include the above provisions of this contract in every subcontract so that such provisions will be binding upon each subcontractor. The Contractor shall take such action with respect to any subcontractor as necessary to enforce such provisions, including sanctions provided for noncompliance.

#### Article IX

The Contractor shall allow the maximum feasible opportunity to small business enterprises to compete for any subcontracts entered into pursuant to this contract. (In federally funded contracts the terms "DBE, MBE and WBE" shall be substituted for the term "small business" in this Article.)

5. Substance Abuse Prevention Program Required. Prior to commencing work on the Contract, the Contractor, and any Subcontractor, shall have in place a written program for the prevention of substance abuse among its employees as required under Wis. Stat. Sec. 103.503.
6. **Contractor Hiring Practices.**

#### **Ban the Box - Arrest and Criminal Background Checks. (Sec. 39.08, MGO)**

This provision applies to all prime contractors on contracts entered into on or after January 1, 2016, and all subcontractors who are required to meet prequalification requirements under MGO 33.07(7)(I), MGO as of the first time they seek or renew pre-qualification status on or after January 1, 2016. The City will monitor compliance of subcontractors through the pre-qualification process.

- a. **Definitions.** For purposes of this section, "Arrest and Conviction Record" includes, but is not limited to, information indicating that a person has been questioned, apprehended, taken into custody or detention, held for investigation, arrested, charged with, indicted or tried for any felony, misdemeanor or other offense pursuant to any law enforcement or military authority.

"Conviction record" includes, but is not limited to, information indicating that a person has been convicted of a felony, misdemeanor or other offense, placed on probation, fined, imprisoned or paroled pursuant to any law enforcement or military authority.

"Background Check" means the process of checking an applicant's arrest and conviction record, through any means.

- b. **Requirements.** For the duration of this Contract, the Contractor shall:

1. Remove from all job application forms any questions, check boxes, or other inquiries regarding an applicant's arrest and conviction record, as defined herein.

2. Refrain from asking an applicant in any manner about their arrest or conviction record until after conditional offer of employment is made to the applicant in question.
3. Refrain from conducting a formal or informal background check or making any other inquiry using any privately or publicly available means of obtaining the arrest or conviction record of an applicant until after a conditional offer of employment is made to the applicant in question.
4. Make information about this ordinance available to applicants and existing employees, and post notices in prominent locations at the workplace with information about the ordinance and complaint procedure using language provided by the City.
5. Comply with all other provisions of Sec. 39.08, MGO.

**c. Exemptions:** This section shall not apply when:

1. Hiring for a position where certain convictions or violations are a bar to employment in that position under applicable law, or
2. Hiring a position for which information about criminal or arrest record, or a background check is required by law to be performed at a time or in a manner that would otherwise be prohibited by this ordinance, including a licensed trade or profession where the licensing authority explicitly authorizes or requires the inquiry in question.

To be exempt, Contractor has the burden of demonstrating that there is an applicable law or regulation that requires the hiring practice in question, if so, the contractor is exempt from all of the requirements of this ordinance for the position(s) in question.

**REPLACEMENT OF BOOSTER PUMPS AND ASSOCIATED  
PIPING/APPURTENANCES AT UNIT WELLS 12 & 26  
CONTRACT NO. 9228**

IN WITNESS WHEREOF, the Contractor has hereunto set his/her hand and seal and the City has caused this contract to be sealed with its corporate seal and to be executed by its Mayor and City Clerk on the dates written below.

Countersigned:

**MONONA PLUMBING AND FIRE PROTECTION, INC.**

Company Name

Kara Kraemer 10/25/22  
Witness Date

Kara Kraemer 10/25/22  
Witness Date

[Signature] 10/25/22  
President Date

[Signature] 10/25/22  
Secretary Date

CITY OF MADISON, WISCONSIN

Provisions have been made to pay the liability that will accrue under this contract.

Approved as to form:

[Signature] 11/4/22  
Finance Director Date

[Signature] 11/7/22  
Witness Date

[Signature] 11/4/22  
Witness Date

[Signature] 11/4/22  
City Attorney Date

[Signature] 11/7/22  
Mayor Date

[Signature] 11/4/22  
City Clerk Date

SECTION I: PAYMENT AND PERFORMANCE BOND

LET ALL KNOW BY THESE DOCUMENTS PRESENTED, that we **MONONA PLUMBING AND FIRE PROTECTION, INC.** as principal, and Fidelity and Deposit Company of Maryland Company of Schaumburg, IL as surety, are held and firmly bound unto the City of Madison, Wisconsin, in the sum of **ONE HUNDRED FIFTY-FIVE THOUSAND ONE HUNDRED SEVENTY-FOUR AND NO/100 (\$155,174.00)** Dollars, lawful money of the United States, for the payment of which sum to the City of Madison, we hereby bind ourselves and our respective executors and administrators firmly by these presents.

The condition of this Bond is such that if the above bounden shall on his/her part fully and faithfully perform all of the terms of the Contract entered into between him/herself and the City of Madison for the construction of:

**REPLACEMENT OF BOOSTER PUMPS AND ASSOCIATED PIPING/APPURTENANCES AT UNIT WELLS 12 & 26**  
CONTRACT NO. 9228

in Madison, Wisconsin, and shall pay all claims for labor performed and material furnished in the prosecution of said work, and save the City harmless from all claims for damages because of negligence in the prosecution of said work, and shall save harmless the said City from all claims for compensation (under Chapter 102, Wisconsin Statutes) of employees and employees of subcontractor, then this Bond is to be void, otherwise of full force, virtue and effect.

Signed and sealed this 26th day of October, 2022

Countersigned:

MONONA PLUMBING AND FIRE PROTECTION, INC.  
Company Name (Principal)

Kara Kraemer  
Witness

[Signature]  
President Seal

[Signature]  
Secretary

Approved as to form:

Fidelity and Deposit Company of Maryland  
Surety Seal  
 Salary Employee  Commission

Michael Husay  
City Attorney

By [Signature]  
Attorney-in-Fact, Jenny L. Hirth

This certifies that I have been duly licensed as an agent for the above company in Wisconsin under National Producer Number 6523593 for the year 2022, and appointed as attorney-in-fact with authority to execute this payment and performance bond which power of attorney has not been revoked.

October 26, 2022  
Date

[Signature]  
Agent Signature



**ZURICH AMERICAN INSURANCE COMPANY  
COLONIAL AMERICAN CASUALTY AND SURETY COMPANY  
FIDELITY AND DEPOSIT COMPANY OF MARYLAND  
POWER OF ATTORNEY**

KNOW ALL MEN BY THESE PRESENTS: That the ZURICH AMERICAN INSURANCE COMPANY, a corporation of the State of New York, the COLONIAL AMERICAN CASUALTY AND SURETY COMPANY, a corporation of the State of Illinois, and the FIDELITY AND DEPOSIT COMPANY OF MARYLAND a corporation of the State of Illinois (herein collectively called the "Companies"), by **Robert D. Murray, Vice President**, in pursuance of authority granted by Article V, Section 8, of the By-Laws of said Companies, which are set forth on the reverse side hereof and are hereby certified to be in full force and effect on the date hereof, do hereby nominate, constitute, and appoint Judith A. WALKER, Jenny L. HIRTH, David ZENOBI, Patrick A. MCKENNA, Brooke L. PARKER, Kathryn A. WEIDNER, Jay A. ZAHN, Lynn E. POTTER of Madison, Wisconsin, its true and lawful agent and Attorney-in-Fact, to make, execute, seal and deliver, for, and on its behalf as surety, and as its act and deed: **any and all bonds and undertakings**, and the execution of such bonds or undertakings in pursuance of these presents, shall be as binding upon said Companies, as fully and amply, to all intents and purposes, as if they had been duly executed and acknowledged by the regularly elected officers of the ZURICH AMERICAN INSURANCE COMPANY at its office in New York, New York., the regularly elected officers of the COLONIAL AMERICAN CASUALTY AND SURETY COMPANY at its office in Owings Mills, Maryland., and the regularly elected officers of the FIDELITY AND DEPOSIT COMPANY OF MARYLAND at its office in Owings Mills, Maryland., in their own proper persons.

The said Vice President does hereby certify that the extract set forth on the reverse side hereof is a true copy of Article V, Section 8, of the By-Laws of said Companies, and is now in force.

IN WITNESS WHEREOF, the said Vice-President has hereunto subscribed his/her names and affixed the Corporate Seals of the said **ZURICH AMERICAN INSURANCE COMPANY, COLONIAL AMERICAN CASUALTY AND SURETY COMPANY, and FIDELITY AND DEPOSIT COMPANY OF MARYLAND**, this 26th day of August, A.D. 2022.



**ATTEST:**  
**ZURICH AMERICAN INSURANCE COMPANY  
COLONIAL AMERICAN CASUALTY AND SURETY COMPANY  
FIDELITY AND DEPOSIT COMPANY OF MARYLAND**

By: *Robert D. Murray*  
Vice President

By: *Dawn E. Brown*  
Secretary

**State of Maryland  
County of Baltimore**

On this 26th day of August, A.D. 2022, before the subscriber, a Notary Public of the State of Maryland, duly commissioned and qualified, **Robert D. Murray, Vice President and Dawn E. Brown, Secretary** of the Companies, to me personally known to be the individuals and officers described in and who executed the preceding instrument, and acknowledged the execution of same, and being by me duly sworn, depose and saith, that he/she is the said officer of the Company aforesaid, and that the seals affixed to the preceding instrument are the Corporate Seals of said Companies, and that the said Corporate Seals and the signature as such officer were duly affixed and subscribed to the said instrument by the authority and direction of the said Corporations.

IN TESTIMONY WHEREOF, I have hereunto set my hand and affixed my Official Seal the day and year first above written.



Constance A. Dunn, Notary Public  
My Commission Expires: July 9, 2023



**EXTRACT FROM BY-LAWS OF THE COMPANIES**

"Article V, Section 8, Attorneys-in-Fact. The Chief Executive Officer, the President, or any Executive Vice President or Vice President may, by written instrument under the attested corporate seal, appoint attorneys-in-fact with authority to execute bonds, policies, recognizances, stipulations, undertakings, or other like instruments on behalf of the Company, and may authorize any officer or any such attorney-in-fact to affix the corporate seal thereto; and may with or without cause modify or revoke any such appointment or authority at any time."

**CERTIFICATE**

I, the undersigned, Vice President of the ZURICH AMERICAN INSURANCE COMPANY, the COLONIAL AMERICAN CASUALTY AND SURETY COMPANY, and the FIDELITY AND DEPOSIT COMPANY OF MARYLAND, do hereby certify that the foregoing Power of Attorney is still in full force and effect on the date of this certificate; and I do further certify that Article V, Section 8, of the By-Laws of the Companies is still in force.

This Power of Attorney and Certificate may be signed by facsimile under and by authority of the following resolution of the Board of Directors of the ZURICH AMERICAN INSURANCE COMPANY at a meeting duly called and held on the 15th day of December 1998.

RESOLVED: "That the signature of the President or a Vice President and the attesting signature of a Secretary or an Assistant Secretary and the Seal of the Company may be affixed by facsimile on any Power of Attorney...Any such Power or any certificate thereof bearing such facsimile signature and seal shall be valid and binding on the Company."

This Power of Attorney and Certificate may be signed by facsimile under and by authority of the following resolution of the Board of Directors of the COLONIAL AMERICAN CASUALTY AND SURETY COMPANY at a meeting duly called and held on the 5th day of May, 1994, and the following resolution of the Board of Directors of the FIDELITY AND DEPOSIT COMPANY OF MARYLAND at a meeting duly called and held on the 10th day of May, 1990.

RESOLVED: "That the facsimile or mechanically reproduced seal of the company and facsimile or mechanically reproduced signature of any Vice-President, Secretary, or Assistant Secretary of the Company, whether made heretofore or hereafter, wherever appearing upon a certified copy of any power of attorney issued by the Company, shall be valid and binding upon the Company with the same force and effect as though manually affixed.

IN TESTIMONY WHEREOF, I have hereunto subscribed my name and affixed the corporate seals of the said Companies, this 26th day of October, 2022.



*MJ Pethick*

By: Mary Jean Pethick  
Vice President

**TO REPORT A CLAIM WITH REGARD TO A SURETY BOND, PLEASE SUBMIT A COMPLETE DESCRIPTION OF THE CLAIM INCLUDING THE PRINCIPAL ON THE BOND, THE BOND NUMBER, AND YOUR CONTACT INFORMATION TO:**

Zurich Surety Claims  
1299 Zurich Way  
Schaumburg, IL 60196-1056  
Ph: 800-626-4577

If your jurisdiction allows for electronic reporting of surety claims, please submit to:  
[reportsfclaims@zurichna.com](mailto:reportsfclaims@zurichna.com)

Authenticity of this bond can be confirmed at [bondvalidator.zurichna.com](http://bondvalidator.zurichna.com) or 410-559-8790

## SECTION J: DAVIS-BACON LABOR PROVISIONS

The Davis-Bacon and Related Acts, apply to contractors and subcontractors performing on federally funded or assisted contracts in excess of \$2,000 for the construction, alteration, or repair (including painting and decorating) of public buildings or public works. Davis-Bacon Act and Related Act contractors and subcontractors must pay their laborers and mechanics employed under the contract no less than the locally prevailing wages and fringe benefits for corresponding work on similar projects in the area. The Davis-Bacon Act directs the Department of Labor to determine such locally prevailing wage rates. The Davis-Bacon Act applies to contractors and subcontractors performing work on federal or District of Columbia contracts. The Davis-Bacon Act prevailing wage provisions apply to the "Related Acts," under which federal agencies assist construction projects through grants, loans, loan guarantees, and insurance.

For prime contracts in excess of \$100,000, contractors and subcontractors must also, under the provisions of the Contract Work Hours and Safety Standards Act, as amended, pay laborers and mechanics, including guards and watchmen, at least one and one-half times their regular rate of pay for all hours worked over 40 in a workweek. The overtime provisions of the Fair Labor Standards Act may also apply to DBA-covered contracts.

### (1) Minimum wages.

(i) All laborers and mechanics employed or working upon the site of the work will be paid unconditionally and not less often than once a week, and without subsequent deduction or rebate on any account (except such payroll deductions as are permitted by regulations issued by the Secretary of Labor under the Copeland Act (29 CFR part 3)), the full amount of wages and bona fide fringe benefits (or cash equivalents thereof) due at time of payment computed at rates not less than those contained in the applicable wage determination of the Secretary of Labor which the City, hereinafter the "RLF Recipient", obtained under the procedures specified, above, and made a part hereof, regardless of any contractual relationship which may be alleged to exist between the contractor and such laborers and mechanics.

Contributions made or costs reasonably anticipated for bona fide fringe benefits under section 1(b)(2) of the Davis-Bacon Act on behalf of laborers or mechanics are considered wages paid to such laborers or mechanics, subject to the provisions of paragraph (a)(1)(iv) of this section; also, regular contributions made or costs incurred for more than a weekly period (but not less often than quarterly) under plans, funds, or programs which cover the particular weekly period, are deemed to be constructively made or incurred during such weekly period. Such laborers and mechanics shall be paid the appropriate wage rate and fringe benefits on the wage determination for the classification of work actually performed, without regard to skill, except as provided in § 5.5(a)(4). Laborers or mechanics performing work in more than one classification may be compensated at the rate specified for each classification for the time actually worked therein: Provided that the employer's payroll records accurately set forth the time spent in each classification in which work is performed. The wage determination (including any additional classification and wage rates conformed under paragraph (a)(1)(ii) of this section) and the Davis-Bacon poster (WH-1321) shall be posted at all times by the contractor and its subcontractors at the site of the work in a prominent and accessible place where it can be easily seen by the workers. RLF Recipients shall require that the contractor and subcontractors include the name of the RLF Recipient employee or official responsible for monitoring compliance with DB on the poster. *A COPY OF THE REQUIRED DAVIS-BACON POSTER IS INCLUDED AT THE END OF THIS SECTION.*

(ii)(A) The RLF Recipient, on behalf of EPA, shall require that contracts and subcontracts entered into by borrowers and subrecipients provide that any class of laborers or mechanics, including helpers, which is not listed in the wage determination and which is to be employed under the contract shall be classified in conformance with the wage determination. The EPA Award Official shall approve, upon the request of the RLR Recipient an additional classification and wage rate and fringe benefits therefore only when the following criteria have been met:

(1) The work to be performed by the classification requested is not performed by a classification in the wage determination; and

(2) The classification is utilized in the area by the construction industry; and

(3) The proposed wage rate, including any bona fide fringe benefits, bears a reasonable relationship to the wage rates contained in the wage determination.

(B) If the contractor and the laborers and mechanics to be employed in the classification (if known), or their representatives, and the RLF Recipient and the borrower or subrecipient agree on the classification and wage rate (including the amount designated for fringe benefits where appropriate), a report of the action taken shall be sent by the RLF Recipient to the EPA Award Official. The Award Official will transmit the report, to the Administrator of the Wage and Hour Division, Employment Standards Administration, U.S. Department of Labor, Washington, DC 20210. The Administrator, or an authorized representative, will approve, modify, or disapprove every additional classification action within 30 days of receipt and so advise the award official or will notify the award official within the 30-day period that additional time is necessary.

(C) In the event the contractor, the laborers or mechanics to be employed in the classification or their representatives, **and the RLF Recipient and borrower or subrecipient** do not agree on the proposed classification and wage rate (including the amount designated for fringe benefits, where appropriate), the RLF Recipient shall provide a report on the disagreement which includes submissions by all interested parties to the EPA Award Official. The Award Official shall refer the questions, including the views of all interested parties and the recommendation of the award official, to the Administrator for determination. The Administrator, or an authorized representative, will issue a determination within 30 days of receipt and so advise the Award Official or will notify the Award Official within the 30-day period that additional time is necessary. The Award Official will direct that the RLF Recipient take appropriate action to implement the Administrator's determination.

(D) The wage rate (including fringe benefits where appropriate) determined pursuant to paragraphs (a)(1)(ii)(B) or (C) of this section, shall be paid to all workers performing work in the classification under this contract from the first day on which work is performed in the classification.

(iii) Whenever the minimum wage rate prescribed in the contract for a class of laborers or mechanics includes a fringe benefit which is not expressed as an hourly rate, the contractor shall either pay the benefit as stated in the wage determination or shall pay another bona fide fringe benefit or an hourly cash equivalent thereof.

(iv) If the contractor does not make payments to a trustee or other third person, the contractor may consider as part of the wages of any laborer or mechanic the amount of any costs reasonably anticipated in providing bona fide fringe benefits under a plan or program, Provided, That the Secretary of Labor has found, upon the written request of the contractor, that the

applicable standards of the Davis-Bacon Act have been met. The Secretary of Labor may require the contractor to set aside in a separate account assets for the meeting of obligations under the plan or program.

(1) Withholding. The RLF Recipient, upon written request of the Award Official or an authorized representative of the Department of Labor, shall withhold or cause the borrower or subrecipient to withhold from the contractor under the affected contract or any other Federal contract with the same prime contractor, or any other federally-assisted contract subject to Davis-Bacon prevailing wage requirements, which is held by the same prime contractor, so much of the accrued payments or advances as may be considered necessary to pay laborers and mechanics, including apprentices, trainees, and helpers, employed by the contractor or any subcontractor the full amount of wages required by the contract. In the event of failure to pay any laborer or mechanic, including any apprentice, trainee, or helper, employed or working on the site of the work, all or part of the wages required by the contract, EPA may, after written notice to the contractor, or RLF Recipient take such action as may be necessary to cause the suspension of any further payment, advance, or guarantee of funds until such violations have ceased.

(2) Payrolls and basic records.

(i) Payrolls and basic records relating thereto shall be maintained by the contractor during the course of the work and preserved for a period of three years thereafter for all laborers and mechanics working at the site of the work. Such records shall contain the name, address, and social security number of each such worker, his or her correct classification, hourly rates of wages paid (including rates of contributions or costs anticipated for bona fide fringe benefits or cash equivalents thereof of the types described in section 1(b) (2) (B) of the Davis-Bacon Act), daily and weekly number of hours worked, deductions made and actual wages paid. Whenever the Secretary of Labor has found under 29 CFR 5.5(a)(1)(iv) that the wages of any laborer or mechanic include the amount of any costs reasonably anticipated in providing benefits under a plan or program described in section 1(b)(2)(B) of the Davis-Bacon Act, the contractor shall maintain records which show that the commitment to provide such benefits is enforceable, that the plan or program is financially responsible, and that the plan or program has been communicated in writing to the laborers or mechanics affected, and records which show the costs anticipated or the actual cost incurred in providing such benefits. Contractors employing apprentices or trainees under approved programs shall maintain written evidence of the registration of apprenticeship programs and certification of trainee programs, the registration of the apprentices and trainees, and the ratios and wage rates prescribed in the applicable programs.

(ii)(A) The contractor shall submit weekly for each week in which any contract work is performed a copy of all payrolls to the borrower or subrecipient and to the RLF Recipient who will maintain the records on behalf of EPA. The payrolls submitted shall set out accurately and completely all of the information required to be maintained under 29 CFR 5.5(a)(3)(i), except that full social security numbers and home addresses shall not be included on weekly transmittals. Instead the payrolls shall only need to include an individually identifying number for each employee (e.g., the last four digits of the employee's social security number). The required weekly payroll information may be submitted in any form desired. Optional Form WH-347 is available for this purpose from the Wage and Hour Division Web site at <https://www.dol.gov/whd/programs/dbra/wh347.htm> or its successor site. The prime contractor is responsible for the submission of copies of payrolls by all subcontractors. Contractors and subcontractors shall maintain the full social security number and current address of each covered worker, and shall provide them upon request to the RLF Recipient for transmission to

the EPA, if requested by EPA, the contractor, or the Wage and Hour Division of the Department of Labor for purposes of an investigation or audit of compliance with prevailing wage requirements. It is not a violation of this section for a prime contractor to require a subcontractor to provide addresses and social security numbers to the prime contractor for its own records, without weekly submission to the RLF Recipient.

(B) Each payroll submitted to the RLF Recipient shall be accompanied by a "Statement of Compliance," signed by the contractor or subcontractor or his or her agent who pays or supervises the payment of the persons employed under the contract and shall certify the following:

(1) That the payroll for the payroll period contains the information required to be provided under § 5.5 (a) (3) (ii) of Regulations, 29 CFR part 5, the appropriate information is being maintained under § 5.5 (a) (3) (i) of Regulations, 29 CFR part 5, and that such information is correct and complete;

(2) That each laborer or mechanic (including each helper, apprentice, and trainee) employed on the contract during the payroll period has been paid the full weekly wages earned, without rebate, either directly or indirectly, and that no deductions have been made either directly or indirectly from the full wages earned, other than permissible deductions as set forth in Regulations, 29 CFR part 3;

(3) That each laborer or mechanic has been paid not less than the applicable wage rates and fringe benefits or cash equivalents for the classification of work performed, as specified in the applicable wage determination incorporated into the contract.

(C) The weekly submission of a properly executed certification set forth on the reverse side of Optional Form WH-347 shall satisfy the requirement for submission of the "Statement of Compliance" required by paragraph (a)(3)(ii)(B) of this section.

(D) The falsification of any of the above certifications may subject the contractor or subcontractor to civil or criminal prosecution under section 1001 of title 18 and section 231 of title 31 of the United States Code.

(iii) The contractor or subcontractor shall make the records required under paragraph (a)(3)(i) of this section available for inspection, copying, or transcription by authorized representatives of the EPA or the Department of Labor, and shall permit such representatives to interview employees during working hours on the job. If the contractor or subcontractor fails to submit the required records or to make them available, EPA may, after written notice to the contractor, **Recipient, borrower or recipient**, sponsor, applicant, or owner, take such action as may be necessary to cause the suspension of any further payment, advance, or guarantee of funds. Furthermore, failure to submit the required records upon request or to make such records available may be grounds for debarment action pursuant to 29 CFR 5.12.

#### (4) Apprentices and Trainees

(i) Apprentices. Apprentices will be permitted to work at less than the predetermined rate for the work they performed when they are employed pursuant to and individually registered in a bona fide apprenticeship program registered with the U.S. Department of Labor, Employment and Training Administration, Office of Apprenticeship Training, Employer and Labor Services, or with a State Apprenticeship Agency recognized by the Office, or if a person is employed in his or her first 90 days of probationary employment as an apprentice in such an apprenticeship program,

who is not individually registered in the program, but who has been certified by the Office of Apprenticeship Training, Employer and Labor Services or a State Apprenticeship Agency (where appropriate) to be eligible for probationary employment as an apprentice. The allowable ratio of apprentices to journeymen on the job site in any craft classification shall not be greater than the ratio permitted to the contractor as to the entire work force under the registered program. Any worker listed on a payroll at an apprentice wage rate, who is not registered or otherwise employed as stated above, shall be paid not less than the applicable wage rate on the wage determination for the classification of work actually performed. In addition, any apprentice performing work on the job site in excess of the ratio permitted under the registered program shall be paid not less than the applicable wage rate on the wage determination for the work actually performed. Where a contractor is performing construction on a project in a locality other than that in which its program is registered, the ratios and wage rates (expressed in percentages of the journeyman's hourly rate) specified in the contractor's or subcontractor's registered program shall be observed. Every apprentice must be paid at not less than the rate specified in the registered program for the apprentice's level of progress, expressed as a percentage of the journeymen hourly rate specified in the applicable wage determination. Apprentices shall be paid fringe benefits in accordance with the provisions of the apprenticeship program. If the apprenticeship program does not specify fringe benefits, apprentices must be paid the full amount of fringe benefits listed on the wage determination for the applicable classification. If the Administrator determines that a different practice prevails for the applicable apprentice classification, fringes shall be paid in accordance with that determination. In the event the Office of Apprenticeship Training, Employer and Labor Services, or a State Apprenticeship Agency recognized by the Office, withdraws approval of an apprenticeship program, the contractor will no longer be permitted to utilize apprentices at less than the applicable predetermined rate for the work performed until an acceptable program is approved.

(ii) Trainees. Except as provided in 29 CFR 5.16, trainees will not be permitted to work at less than the predetermined rate for the work performed unless they are employed pursuant to and individually registered in a program which has received prior approval, evidenced by formal certification by the U.S. Department of Labor, Employment and Training Administration. The ratio of trainees to journeymen on the job site shall not be greater than permitted under the plan approved by the Employment and Training Administration. Every trainee must be paid at not less than the rate specified in the approved program for the trainee's level of progress, expressed as a percentage of the journeyman hourly rate specified in the applicable wage determination. Trainees shall be paid fringe benefits in accordance with the provisions of the trainee program. If the trainee program does not mention fringe benefits, trainees shall be paid the full amount of fringe benefits listed on the wage determination unless the Administrator of the Wage and Hour Division determines that there is an apprenticeship program associated with the corresponding journeyman wage rate on the wage determination which provides for less than full fringe benefits for apprentices. Any employee listed on the payroll at a trainee rate who is not registered and participating in a training plan approved by the Employment and Training Administration shall be paid not less than the applicable wage rate on the wage determination for the classification of work actually performed. In addition, any trainee performing work on the job site in excess of the ratio permitted under the registered program shall be paid not less than the applicable wage rate on the wage determination for the work actually performed. In the event the Employment and Training Administration withdraws approval of a training program, the contractor will no longer be permitted to utilize trainees at less than the applicable predetermined rate for the work performed until an acceptable program is approved.

(iii) Equal employment opportunity. The utilization of apprentices, trainees and journeymen under this part shall be in conformity with the equal employment opportunity requirements of Executive Order 11246, as amended and 29 CFR part 30.



(5) Compliance with Copeland Act requirements. The contractor shall comply with the requirements of 29 CFR Part 3, which are incorporated by reference in this contract.

(6) Subcontracts. The contractor or subcontractor shall insert in any subcontracts the clauses contained in 29 CFR 5.5(a)(1) through (10) and such other clauses as the EPA may by appropriate instructions require, and also a clause requiring the subcontractors to include these clauses in any lower tier subcontracts. The prime contractor shall be responsible for the compliance by any subcontractor or lower tier subcontractor with all the contract clauses in this term and condition.

(7) Contract termination: debarment. A breach of the contract clauses in 29 CFR 5.5 may be grounds for termination of the contract, and for debarment as a contractor and a subcontractor as provided in 29 CFR 5.12.

(8) Compliance with Davis-Bacon and Related Act requirements. All rulings and interpretations of the Davis-Bacon and Related Acts contained in 29 CFR parts 1, 3, and 5 are herein incorporated by reference in this contract.

(9) Disputes concerning labor standards. Disputes arising out of the labor standards provisions of this contract shall not be subject to the general disputes clause of this contract. Such disputes shall be resolved in accordance with the procedures of the Department of Labor set forth in 29 CFR parts 5, 6, and 7. Disputes within the meaning of this clause include disputes between the contractor (or any of its subcontractors), **the RLF Recipient, borrower or subrecipient and EPA**, the U.S. Department of Labor, or the employees or their representatives.

(10) Certification of eligibility.

(i) By entering into this contract, the contractor certifies that neither it (nor he or she) nor any person or firm who has an interest in the contractor's firm is a person or firm ineligible to be awarded Government contracts by virtue of section 3(a) of the Davis-Bacon Act or 29 CFR 5.12(a)(1).

(ii) No part of this contract shall be subcontracted to any person or firm ineligible for award of a Government contract by virtue of section 3(a) of the Davis-Bacon Act or 29 CFR 5.12(a)(1).

(iii) The penalty for making false statements is prescribed in the U.S. Criminal Code, 18 U.S.C. 1001.

#### 4. Contract Provisions for Contracts in Excess of \$100,000

(a) Contract Work Hours and Safety Standards Act. **The RLF Recipient shall ensure that subrecipients and borrowers** insert the following clauses set forth in paragraphs (a)(1), (2), (3), and (4) of this section in full in any contract in an amount in excess of \$100,000 and subject to the overtime provisions of the Contract Work Hours and Safety Standards Act. These clauses shall be inserted in addition to the clauses required by Item 3, above or 29 CFF 4.6. As used in this paragraph, the terms laborers and mechanics include watchmen and guards.

(1) Overtime requirements. No contractor or subcontractor contracting for any part of the contract work which may require or involve the employment of laborers or mechanics shall require or permit any such laborer or mechanic in any workweek in which he or she is employed on such work to work in excess of forty hours in such workweek unless such laborer or

mechanic receives compensation at a rate not less than one and one-half times the basic rate of pay for all hours worked in excess of forty hours in such workweek.

(2) Violation; liability for unpaid wages; liquidated damages. In the event of any violation of the clause set forth in paragraph (a) (1) of this section the contractor and any subcontractor responsible therefor shall be liable for the unpaid wages. In addition, such contractor and subcontractor shall be liable to the United States (in the case of work done under contract for the District of Columbia or a territory, to such District or to such territory), for liquidated damages. Such liquidated damages shall be computed with respect to each individual laborer or mechanic, including watchmen and guards, employed in violation of the clause set forth in paragraph (a) (1) of this section, in the sum of \$10 for each calendar day on which such individual was required or permitted to work in excess of the standard workweek of forty hours without payment of the overtime wages required by the clause set forth in paragraph (a) (1) of this section.

(3) Withholding for unpaid wages and liquidated damages. The RLF Recipient shall upon written request from the Award Official or an authorized representative of the Department of Labor withhold or cause to be withheld by the borrower or subrecipient from any moneys payable on account of work performed by the contractor or subcontractor under any such contract or any other Federal contract with the same prime contractor, or any other federally-assisted contract subject to the Contract Work Hours and Safety Standards Act, which is held by the same prime contractor, such sums as may be determined to be necessary to satisfy any liabilities of such contractor or subcontractor for unpaid wages and liquidated damages as provided in the clause set forth in paragraph (a)(2) of this section.

(4) Subcontracts. The contractor or subcontractor shall insert in any subcontracts the clauses set forth in paragraph (a) (1) through (4) of this section and also a clause requiring the subcontractors to include these clauses in any lower tier subcontracts. The prime contractor shall be responsible for compliance by any subcontractor or lower tier subcontractor with the clauses set forth in paragraphs (a)(1) through (4) of this section.

(b) In addition to the clauses contained in Item 3, above, in any contract subject only to the Contract Work Hours and Safety Standards Act and not to any of the other statutes cited in 29 CFR 5.1, the RLF Recipient shall insert a clause requiring that the contractor or subcontractor shall maintain payrolls and basic payroll records during the course of the work and shall preserve them for a period of three years from the completion of the contract for all laborers and mechanics, including guards and watchmen, working on the contract. Such records shall contain the name and address of each such employee, social security number, correct classifications, hourly rates of wages paid, daily and weekly number of hours worked, deductions made, and actual wages paid. Further, the RLF Recipient shall insert in any such contract a clause providing that the records to be maintained under this paragraph shall be made available by the contractor or subcontractor for inspection, copying, or transcription by authorized representatives of the (write the name of agency) and the Department of Labor, and the contractor or subcontractor will permit such representatives to interview employees during working hours on the job.



# EMPLOYEE RIGHTS

## UNDER THE DAVIS-BACON ACT

### FOR LABORERS AND MECHANICS EMPLOYED ON FEDERAL OR FEDERALLY ASSISTED CONSTRUCTION PROJECTS

#### PREVAILING WAGES

You must be paid not less than the wage rate listed in the Davis-Bacon Wage Decision posted with this Notice for the work you perform.

#### OVERTIME

You must be paid not less than one and one-half times your basic rate of pay for all hours worked over 40 in a work week. There are few exceptions.

#### ENFORCEMENT

Contract payments can be withheld to ensure workers receive wages and overtime pay due, and liquidated damages may apply if overtime pay requirements are not met. Davis-Bacon contract clauses allow contract termination and debarment of contractors from future federal contracts for up to three years. A contractor who falsifies certified payroll records or induces wage kickbacks may be subject to civil or criminal prosecution, fines and/or imprisonment.

#### APPRENTICES

Apprentice rates apply only to apprentices properly registered under approved Federal or State apprenticeship programs.

#### PROPER PAY

If you do not receive proper pay, or require further information on the applicable wages, contact the Contracting Officer listed below:

or contact the U.S. Department of Labor's Wage and Hour Division.



WAGE AND HOUR DIVISION  
UNITED STATES DEPARTMENT OF LABOR

1-866-487-9243  
TTY: 1-877-889-5627  
[www.dol.gov/whd](http://www.dol.gov/whd)



**SECTION K - DAVIS BACON WAGE RATES**

**ADDENDUM 1**

General Decision Number: WI20220005 09/16/2022

Superseded General Decision Number: WI20210005

State: Wisconsin

Construction Type: Building

County: Dane County in Wisconsin.

BUILDING CONSTRUCTION PROJECTS (does not include residential construction consisting of single family homes and apartments up to and including 4 stories)

Note: Contracts subject to the Davis-Bacon Act are generally required to pay at least the applicable minimum wage rate required under Executive Order 14026 or Executive Order 13658. Please note that these Executive Orders apply to covered contracts entered into by the federal government that are subject to the Davis-Bacon Act itself, but do not apply to contracts subject only to the Davis-Bacon Related Acts, including those set forth at 29 CFR 5.1(a)(2)-(60).

<p>If the contract is entered into on or after January 30, 2022, or the contract is renewed or extended (e.g., an option is exercised) on or after January 30, 2022:</p>	<ul style="list-style-type: none"> <li>. Executive Order 14026 generally applies to the contract.</li> <li>. The contractor must pay all covered workers at least \$15.00 per hour (or the applicable wage rate listed on this wage determination, if it is higher) for all hours spent performing on the contract in 2022.</li> </ul>
<p>If the contract was awarded on or between January 1, 2015 and January 29, 2022, and the contract is not renewed or extended on or after January 30, 2022:</p>	<ul style="list-style-type: none"> <li>. Executive Order 13658 generally applies to the contract.</li> <li>. The contractor must pay all covered workers at least \$11.25 per hour (or the applicable wage rate listed on this wage determination, if it is higher) for all hours spent performing on that contract in 2022.</li> </ul>

The applicable Executive Order minimum wage rate will be adjusted annually. If this contract is covered by one of the Executive Orders and a classification considered necessary for

**SECTION K - DAVIS BACON WAGE RATES      ADDENDUM 1**

performance of work on the contract does not appear on this wage determination, the contractor must still submit a conformance request.

Additional information on contractor requirements and worker protections under the Executive Orders is available at <https://www.dol.gov/agencies/whd/government-contracts>.

Modification Number	Publication Date
0	01/07/2022
1	02/04/2022
2	02/11/2022
3	02/18/2022
4	02/25/2022
5	03/18/2022
6	04/29/2022
7	06/17/2022
8	07/08/2022
9	07/15/2022
10	07/29/2022
11	09/16/2022

ASBE0205-001 06/01/2001

	Rates	Fringes
Asbestos Removal worker/hazardous material handler Includes preparation, wetting, stripping, removal, scrapping, vacuuming, bagging and disposing of all insulation materials from mechanical systems, whether they contain asbestos or not.....	\$ 17.90	4.45

-----  
BOIL0107-001 01/01/2021

	Rates	Fringes
BOILERMAKER Boilermaker.....	\$ 39.52	31.50
Small Boiler Repair (under 25,000 lbs/hr).....	\$ 26.91	16.00

-----  
BRWI0013-001 06/01/2021

	Rates	Fringes
--	-------	---------

**SECTION K - DAVIS BACON WAGE RATES      ADDENDUM 1**

BRICKLAYER

Bricklayer.....	\$ 38.53	25.16
Terrazzo Finisher.....	\$ 29.78	23.22
Terrazzo Worker.....	\$ 40.40	24.17
Tile Finisher.....	\$ 29.52	24.17
Tile Layer.....	\$ 37.35	23.59

CARP0252-007 06/01/2016

Rates                      Fringes

CARPENTER (Including  
Acoustical work and Drywall  
hanging; Excluding Batt  
Insulation)

CARPENTER & SOFT FLOOR LAYER.....	\$ 33.56	18.00
MILLWRIGHT.....	\$ 35.08	18.35
PILEDRIVERMAN.....	\$ 34.12	18.00

\* ELEC0014-005 05/29/2022

Rates                      Fringes

Teledata System Installer

Installer/Technician.....	\$ 29.63	3%+16.18
---------------------------	----------	----------

Low voltage construction, installation, maintenance and removal of teledata facilities (voice, data, and video) including outside plant, telephone and data inside wire, interconnect, terminal equipment, central offices, PABX, fiber optic cable and equipment, micro waves, V-SAT, bypass, CATV, WAN (wide area networks), LAN (local area networks), and ISDN (integrated systems digital network).

ELEC0159-002 05/30/2021

Rates                      Fringes

ELECTRICIAN.....	\$ 43.38	23.13
------------------	----------	-------

ELEV0132-001 01/01/2022

Rates                      Fringes

ELEVATOR MECHANIC.....	\$ 57.50	36.885+a+b
------------------------	----------	------------

FOOTNOTE:

- a. PAID VACATION: Employer contributes 8% of basic hourly rate as vacation pay for employees with more than 5 years or more of service, and 6% for less than 5 years of service.
- b. PAID HOLIDAYS: New Years Day, Memorial Day, Independence

**SECTION K - DAVIS BACON WAGE RATES      ADDENDUM 1**

Day, Labor Day, Veterans Day, Thanksgiving Day, Friday after Thanksgiving, and Christmas Day.

-----  
 ENGI0139-002 06/06/2022

	Rates	Fringes
OPERATOR: Power Equipment		
Group 1.....	\$ 45.22	24.85
Group 2.....	\$ 43.97	24.85
Group 3.....	\$ 41.57	24.85
Group 4.....	\$ 41.04	24.85
Group 5.....	\$ 38.97	24.85
Group 6.....	\$ 37.44	24.85

HAZARDOUS WASTE PREMIUMS:

- EPA Level "A" Protection: \$3.00 per hour
- EPA Level "B" Protection: \$2.00 per hour
- EPA Level "C" Protection: \$1.00 per hour

POWER EQUIPMENT OPERATORS CLASSIFICATIONS

GROUP 1: Cranes, Tower Cranes and Derricks with or without attachments with a lifting capacity of over 100 tons; Cranes, Tower Cranes, and Derricks with boom, leads and/or jib lengths 176 ft or longer.

GROUP 2: Backhoes (Excavators) weighing 130,000 lbs & over; Cranes, Tower Cranes and Derricks with or without attachments with a lifting capacity of 100 tons or less; Cranes, Tower Cranes, and Derricks with boom, leads, and/or jib lengths 175 ft or less; Caisson Rigs; Pile Driver

GROUP 3: Backhoes (Excavators) weighing under 130,000 lbs; Travelling Crane (bridge type); Milling Machine; Concrete Paver over 27 E; Concrete Spreader and Distributor; Concrete Laser Screed; Concrete Grinder and Planing Machine; Slipform Curb and Gutter Machine; Boring Machine (Directional); Dredge Operator; Skid Rigs; Over 46 meter Concrete Pump.

GROUP 4: Hydraulic Backhoe (tractor or truck mounted); Hydraulic Crane, 10 tons or less; Tractor, Bulldozer, or End Loader (over 40 hp); Motor Patrol; Scraper Operator; Bituminous Plant and Paver Operator; Screed-Milling Machine; Roller over 5 tons; Concrete Pumps 46 meter & under; Grout Pumps; Rotec Type Machine; Hydro Blaster, 10,000 psi and over; Rotary Drill Operator; Percussion Drilling Machine; Air Track Drill with or without integral hammer; Blaster; Boring Machine (vertical or horizontal); Side Boom; Trencher, wheel type or chain type having 8 inch or larger bucket; Rail Leveling Machine (Railroad); Tie

**SECTION K - DAVIS BACON WAGE RATES      ADDENDUM 1**

Placer; Tie Extractor; Tie Tamper; Stone Leveler; Straddle Carrier; Material Hoists; Stack Hoist; Man Hoists; Mechanic and Welder; Off Road Material Haulers

GROUP 5: Tractor, Bulldozer, or Endloader (under 40 hp); Tampers -Compactors, riding type; Stump Chipper, large; Roller, Rubber Tire; Backfiller; Trencher, chain type (bucket under 8 inch); Concrete Auto Breaker, large; Concrete Finishing Machine (road type); Concrete Batch Hopper; Concrete Conveyor Systems; Concrete Mixers, 14S or over; Pumps, Screw Type and Gypsum); Hydrohammers, small; Brooms and Sweepers; Lift Slab Machine; Roller under 5 tons; Industrial Locomotives; Fireman (Pile Drivers and Derricks); Pumps (well points); Hoists, automatic; A-Frames and Winch Trucks; Hoists (tuggers); Boats (Tug, Safety, Work Barges and Launches); Assistant Engineer

GROUP 6: Shouldering Machine Operator; Farm or Industrial Tractor mounted equipment; Post Hole Digger; Auger (vertical and horizontal); Skid Steer Loader with or without attachments; Robotic Tool Carrier with or without attachments; Power Pack Vibratory/Ultra Sound Driver and Extractor; Fireman (Asphalt Plants); Screed Operator; Stone Crushers and Screening Plants; Air, Electric, Hydraulic Jacks (Slip Form); Prestress Machines; Air Compressor, 400 CFM or over; Refrigeration Plant/Freeze Machine; Boiler Operators (temporary heat); Forklifts; Welding Machines; Generators; Pumps over 3"; Compressors, under 400 CFM; Heaters, Mechanical; Combination small equipment operator; Winches, small electric; Oiler; Greaser; Rotary Drill Tender; Conveyor; Elevator Operator

-----

IRON0383-002 06/05/2022

	Rates	Fringes
IRONWORKER.....	\$ 39.00	28.58

-----

LAB00464-001 06/01/2022

	Rates	Fringes
Laborer, General.....	\$ 32.20	18.68
Laborer: Asbestos/hazardous material remover (Preparation, removal, and encapsulation of hazardous materials from non-mechanical systems).....	\$ 31.15	18.68

-----

PAIN0802-001 06/01/2021

**SECTION K - DAVIS BACON WAGE RATES      ADDENDUM 1**

	Rates	Fringes
PAINTER (Brush and Roller Only).....	\$ 29.98	18.78

PREMIUM RATES [Add to Basic Hourly Rate]  
 Sandblaster                   \$1.00 per hour  
 Drywall Taper & Applicator \$1.30 per hour

-----  
 PAIN0941-001 06/01/2021

	Rates	Fringes
GLAZIER.....	\$ 41.35	20.89

-----  
 PLAS0599-001 06/01/2021

	Rates	Fringes
CEMENT MASON/CONCRETE FINISHER...	\$ 38.16	26.36
PLASTERER.....	\$ 37.60	21.74

-----  
 PLUM0075-007 06/01/2021

	Rates	Fringes
PLUMBER (Including HVAC work)....	\$ 48.50	25.29

-----  
 PLUM0601-007 06/01/2022

	Rates	Fringes
PIPEFITTER (Including HVAC work).....	\$ 50.00	28.93

-----  
 SFWI0669-002 04/01/2021

	Rates	Fringes
SPRINKLER FITTER.....	\$ 43.87	25.41

-----  
 SHEE0018-009 05/31/2020

	Rates	Fringes
Sheet Metal Worker (Including HVAC Duct work and Technicians).....	\$ 42.02	28.90

-----  
 TEAM0662-003 06/01/2022

	Rates	Fringes
--	-------	---------

**SECTION K - DAVIS BACON WAGE RATES      ADDENDUM 1**

TRUCK DRIVER

1 & 2 Axles.....	\$ 34.07	24.95
3 or more Axles.....	\$ 34.22	24.95

-----  
 \* SUWI2002-011 01/23/2002

	Rates	Fringes
Asbestos Worker/Heat and Frost Insulator.....	\$ 25.36	8.37
Laborers:		
Concrete Worker.....	\$ 16.34	3.59
Landscape.....	\$ 8.73 **	4.90
ROOFER.....	\$ 18.01	3.28
Tile & Marble Finisher.....	\$ 13.89 **	7.58

-----  
 WELDERS - Receive rate prescribed for craft performing operation to which welding is incidental.

=====  
 \*\* Workers in this classification may be entitled to a higher minimum wage under Executive Order 14026 (\$15.00) or 13658 (\$11.25). Please see the Note at the top of the wage determination for more information.

Note: Executive Order (EO) 13706, Establishing Paid Sick Leave for Federal Contractors applies to all contracts subject to the Davis-Bacon Act for which the contract is awarded (and any solicitation was issued) on or after January 1, 2017. If this contract is covered by the EO, the contractor must provide employees with 1 hour of paid sick leave for every 30 hours they work, up to 56 hours of paid sick leave each year. Employees must be permitted to use paid sick leave for their own illness, injury or other health-related needs, including preventive care; to assist a family member (or person who is like family to the employee) who is ill, injured, or has other health-related needs, including preventive care; or for reasons resulting from, or to assist a family member (or person who is like family to the employee) who is a victim of, domestic violence, sexual assault, or stalking. Additional information on contractor requirements and worker protections under the EO is available at <https://www.dol.gov/agencies/whd/government-contracts>.

Unlisted classifications needed for work not included within the scope of the classifications listed may be added after award only as provided in the labor standards contract clauses



(29CFR 5.5 (a) (1) (ii)).

-----

The body of each wage determination lists the classification and wage rates that have been found to be prevailing for the cited type(s) of construction in the area covered by the wage determination. The classifications are listed in alphabetical order of ""identifiers"" that indicate whether the particular rate is a union rate (current union negotiated rate for local), a survey rate (weighted average rate) or a union average rate (weighted union average rate).

#### Union Rate Identifiers

A four letter classification abbreviation identifier enclosed in dotted lines beginning with characters other than ""SU"" or ""UAVG"" denotes that the union classification and rate were prevailing for that classification in the survey. Example: PLUM0198-005 07/01/2014. PLUM is an abbreviation identifier of the union which prevailed in the survey for this classification, which in this example would be Plumbers. 0198 indicates the local union number or district council number where applicable, i.e., Plumbers Local 0198. The next number, 005 in the example, is an internal number used in processing the wage determination. 07/01/2014 is the effective date of the most current negotiated rate, which in this example is July 1, 2014.

Union prevailing wage rates are updated to reflect all rate changes in the collective bargaining agreement (CBA) governing this classification and rate.

#### Survey Rate Identifiers

Classifications listed under the ""SU"" identifier indicate that no one rate prevailed for this classification in the survey and the published rate is derived by computing a weighted average rate based on all the rates reported in the survey for that classification. As this weighted average rate includes all rates reported in the survey, it may include both union and non-union rates. Example: SULA2012-007 5/13/2014. SU indicates the rates are survey rates based on a weighted average calculation of rates and are not majority rates. LA indicates the State of Louisiana. 2012 is the year of survey on which these classifications and rates are based. The next number, 007 in the example, is an internal number used in producing the wage determination. 5/13/2014 indicates the survey completion date for the classifications and rates under that identifier.

Survey wage rates are not updated and remain in effect until a

new survey is conducted.

#### Union Average Rate Identifiers

Classification(s) listed under the UAVG identifier indicate that no single majority rate prevailed for those classifications; however, 100% of the data reported for the classifications was union data. EXAMPLE: UAVG-OH-0010 08/29/2014. UAVG indicates that the rate is a weighted union average rate. OH indicates the state. The next number, 0010 in the example, is an internal number used in producing the wage determination. 08/29/2014 indicates the survey completion date for the classifications and rates under that identifier.

A UAVG rate will be updated once a year, usually in January of each year, to reflect a weighted average of the current negotiated/CBA rate of the union locals from which the rate is based.

---

#### WAGE DETERMINATION APPEALS PROCESS

1.) Has there been an initial decision in the matter? This can be:

- \* an existing published wage determination
- \* a survey underlying a wage determination
- \* a Wage and Hour Division letter setting forth a position on a wage determination matter
- \* a conformance (additional classification and rate) ruling

On survey related matters, initial contact, including requests for summaries of surveys, should be with the Wage and Hour National Office because National Office has responsibility for the Davis-Bacon survey program. If the response from this initial contact is not satisfactory, then the process described in 2.) and 3.) should be followed.

With regard to any other matter not yet ripe for the formal process described here, initial contact should be with the Branch of Construction Wage Determinations. Write to:

Branch of Construction Wage Determinations  
Wage and Hour Division  
U.S. Department of Labor  
200 Constitution Avenue, N.W.  
Washington, DC 20210

2.) If the answer to the question in 1.) is yes, then an interested party (those affected by the action) can request

SECTION K - DAVIS BACON WAGE RATES      ADDENDUM 1

review and reconsideration from the Wage and Hour Administrator (See 29 CFR Part 1.8 and 29 CFR Part 7). Write to:

Wage and Hour Administrator  
U.S. Department of Labor  
200 Constitution Avenue, N.W.  
Washington, DC 20210

The request should be accompanied by a full statement of the interested party's position and by any information (wage payment data, project description, area practice material, etc.) that the requestor considers relevant to the issue.

3.) If the decision of the Administrator is not favorable, an interested party may appeal directly to the Administrative Review Board (formerly the Wage Appeals Board). Write to:

Administrative Review Board  
U.S. Department of Labor  
200 Constitution Avenue, N.W.  
Washington, DC 20210

4.) All decisions by the Administrative Review Board are final.

=====  
END OF GENERAL DECISION