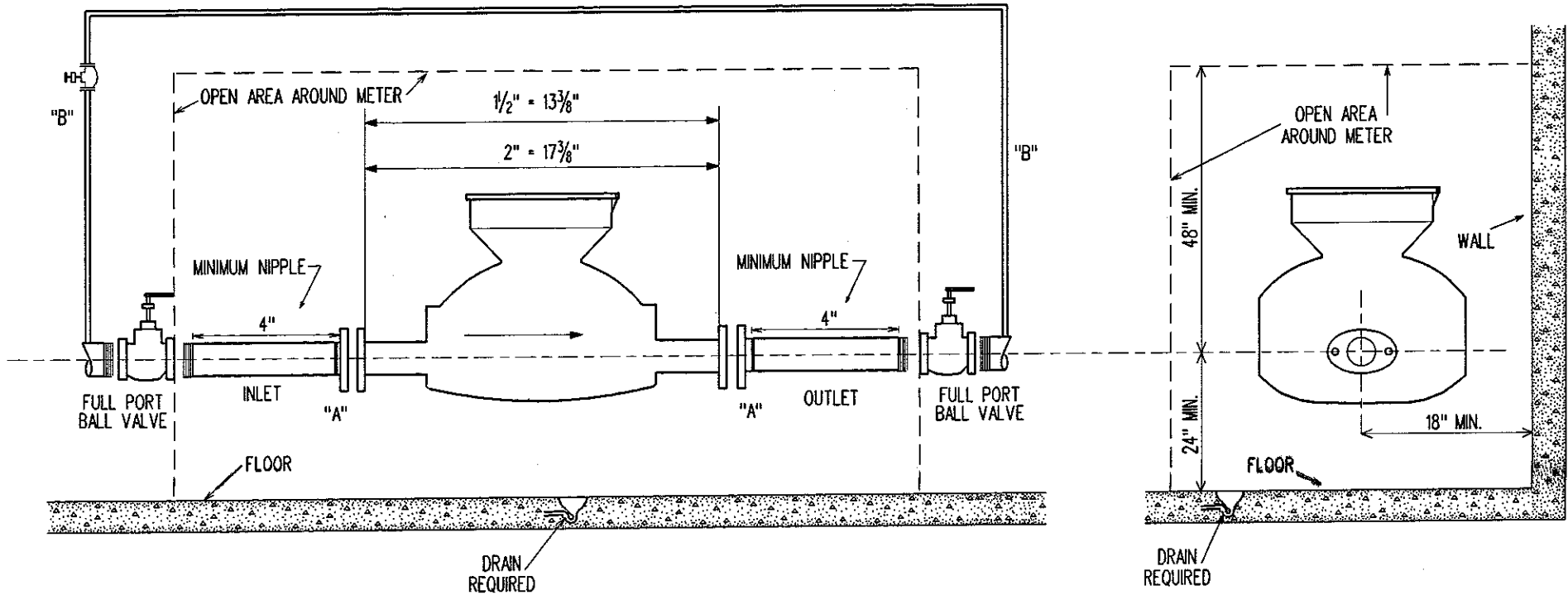
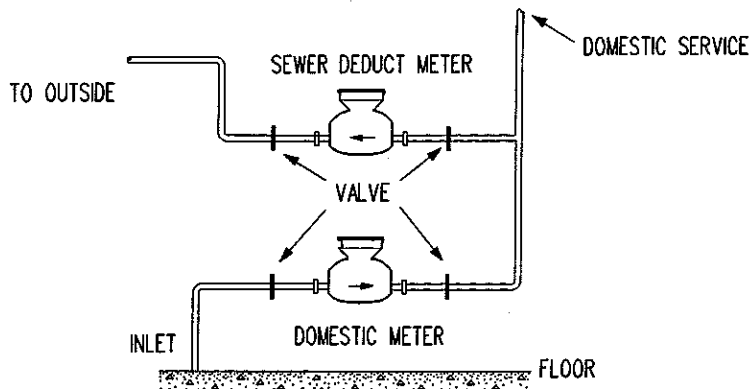


# TYPICAL 1 1/2", 2" METER SET



"A" - ELLIPTICAL FLANGES AND GASKETS SUPPLIED BY WATER UTILITY  
 "B" - BYPASS REQUIRED, ONE SIZE SMALLER ALLOWED



MADISON WATER UTILITY	
1 1/2", 2" METER SET	
DATE: 07/21/04	RECOMMENDED METER INSTALLATION