

CITY OF MADISON

MONONA TERRACE

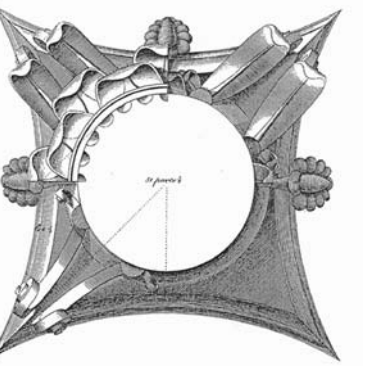
COMMUNITY & CONVENTION CENTER

Carpet Replacement Project

CITY OF MADISON CONTRACT: 7191

ISTHMUS
ARCHITECTURE, INC.

613 Williamson Street
Suite 203
Madison, WI 53703
Phone: 608.294.0206
Fax: 608.294.0207



This work was prepared for me or under my supervision, and construction of this project will be under my supervision. Supervision of construction is defined in Article 1.2(2) of the Rules & Regulations of the Board of Professional Engineers, Architects and Surveyors of the State of Wisconsin.

The Contractor shall verify all dimensions at the job site and confirm with the Architect before proceeding with the work.

© 2013 Isthmus Architecture, Inc.

**MONONA TERRACE
CARPET REPLACEMENT PROJECT**
Monona Terrace Community & Convention Center
One John Nolen Drive, Madison, WI 53703

Proj. No.: 1301.01

Scale: 1/16" = 1'-0"

Drawn By: pr

Date: 06-07-13

Rebid Date:

Rev. Date:

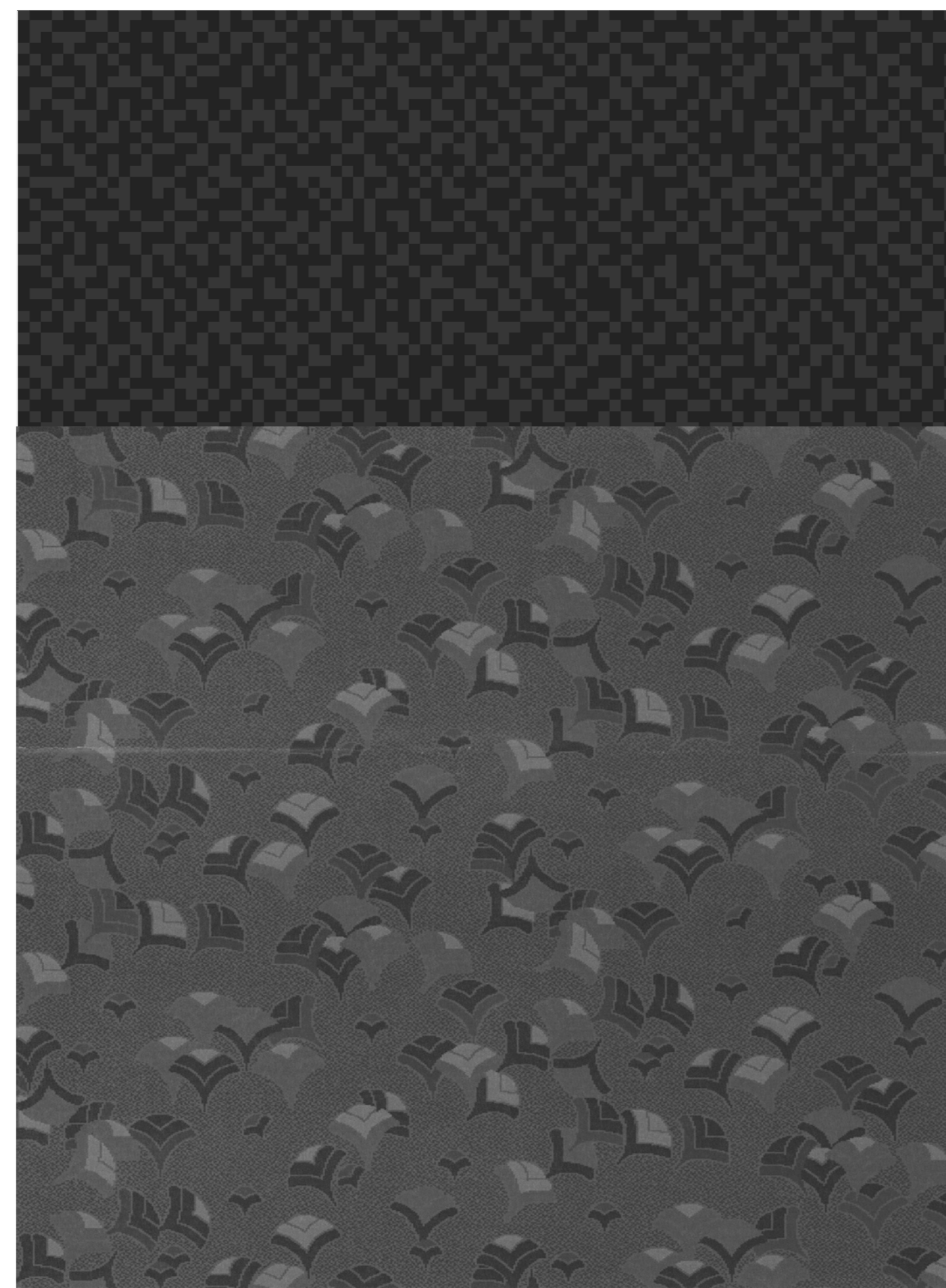
TITLE SHEET

Sheet Title

Sheet No:

T1

CUSTOM CARPET PATTERN



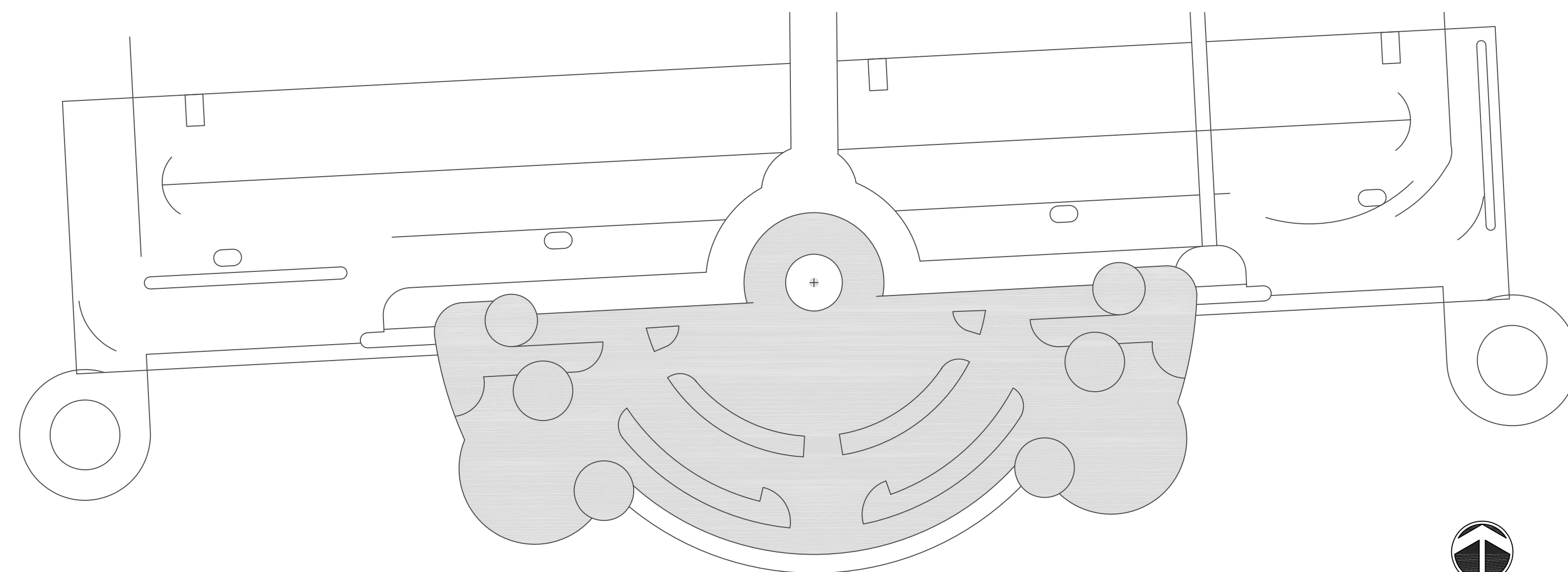
BORDER
FIELD

1 2 3 4 5 6 7
5.017% 2.368% 2.263% 6.425% 39.378% 29.684% 14.866%

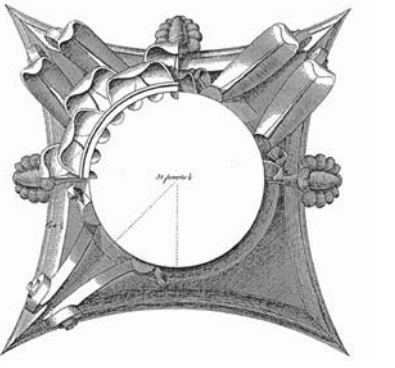
SHEET INDEX

- T1 TITLESHEET
- C1 FLOORS 1&2 - CARPET PLANS
- C2 FLOORS 3,4,5 - CARPET PLANS
& TERMINATION DETAILS

LOCATION MAP



NORTH



This work was prepared by me or under my supervision and certification as the Supervisor of construction as defined in Section 1.2(3) of the Rules & Regulations of the Board of Professional Engineers, Architects and Surveyors of the State of Wisconsin.
The Contractor shall verify all dimensions at the job site and confirm with the Architect before proceeding with the work.

© 2013 Isthmus Architecture, Inc.

**MONONA TERRACE
CARPET REPLACEMENT PROJECT**
Monona Terrace Community & Convention Center
One John Nolen Drive, Madison, WI 53703

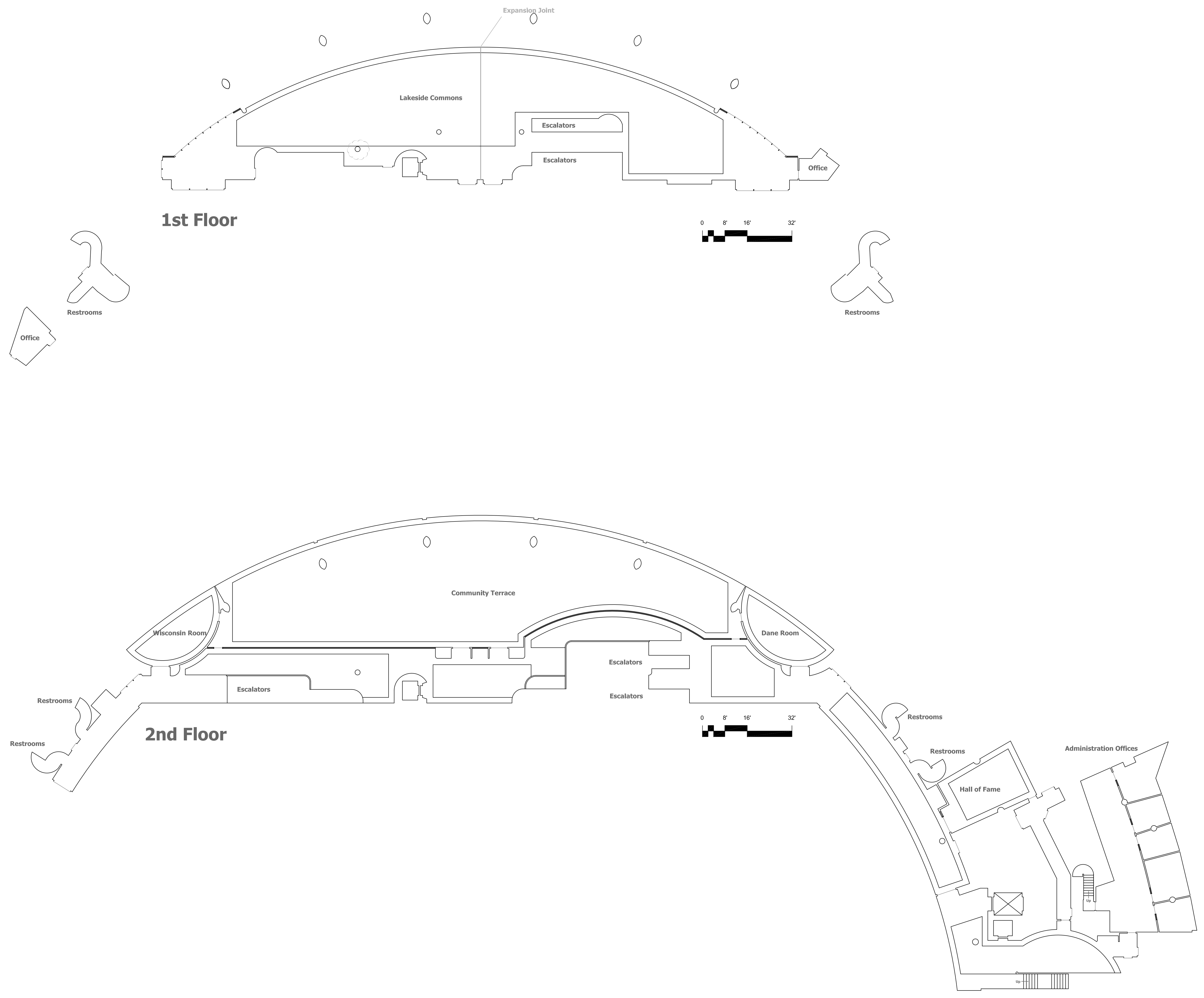
Proj. No.: 1301.01
Scale: 1/16" = 1'-0"
Drawn By: pr
Date: 06-07-13
Rebid Date:
Rev. Date:

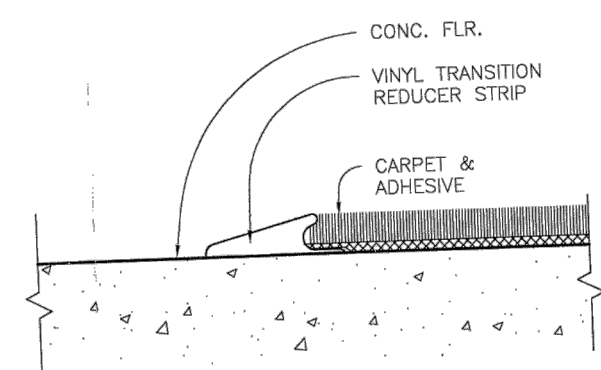
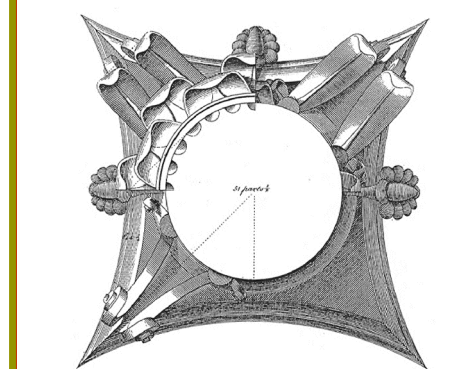
CARPET PLANS

Sheet Title

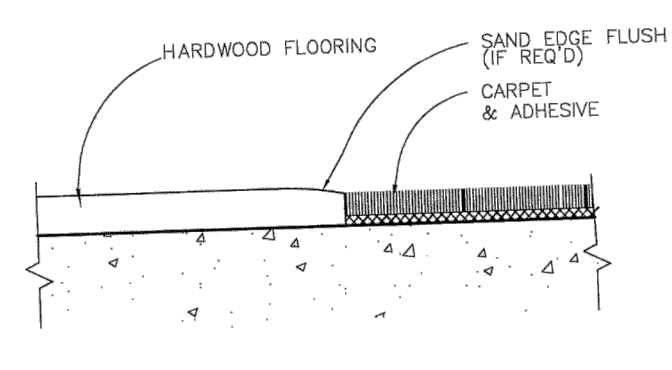
Sheet No:

C 1

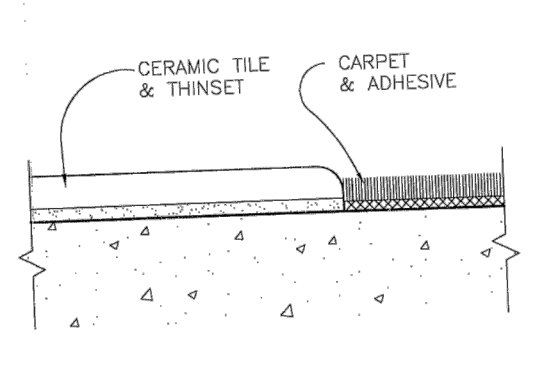




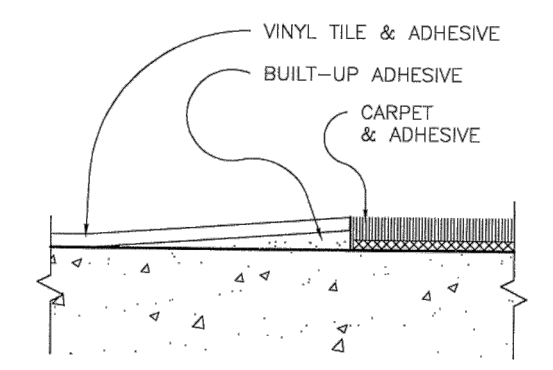
1 - Concrete to Carpet (no scale)



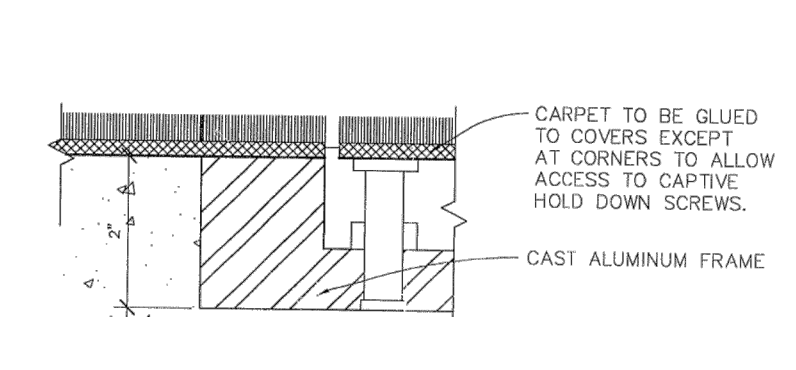
2 - Carpet to Wood (no scale)



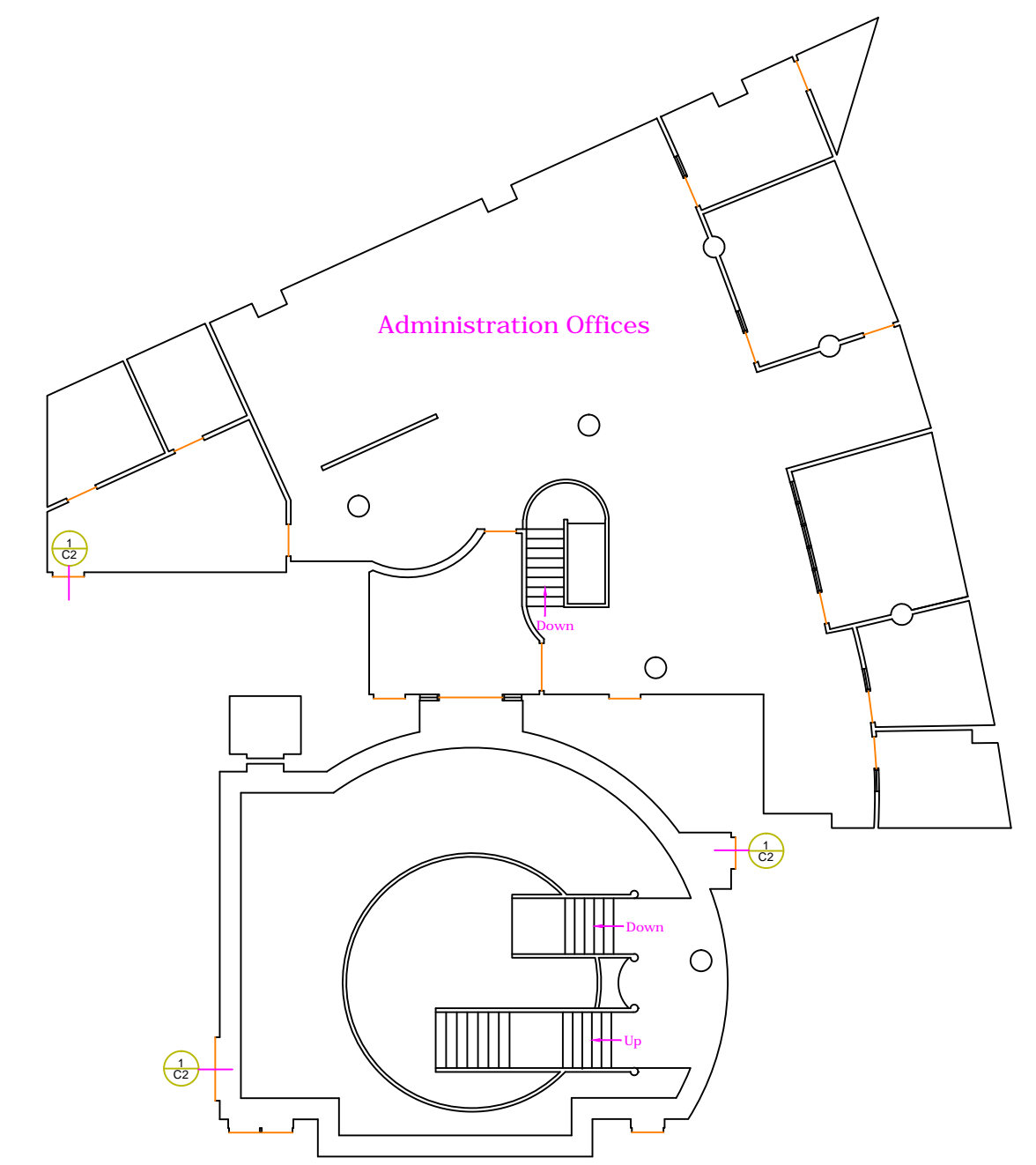
3 - Ceramic Tile to Carpet (no scale)



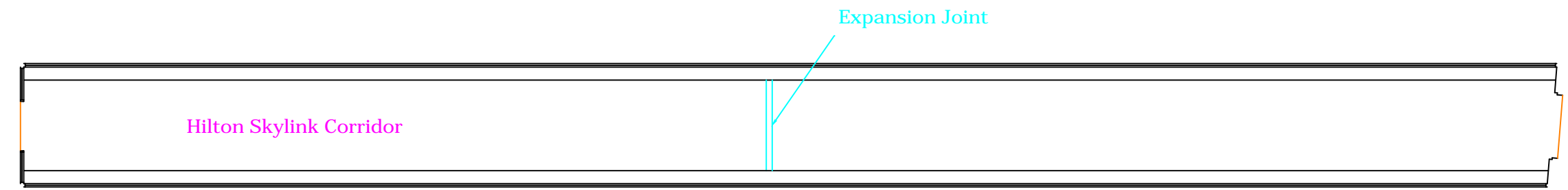
4 - Vinyl to Carpet (no scale)



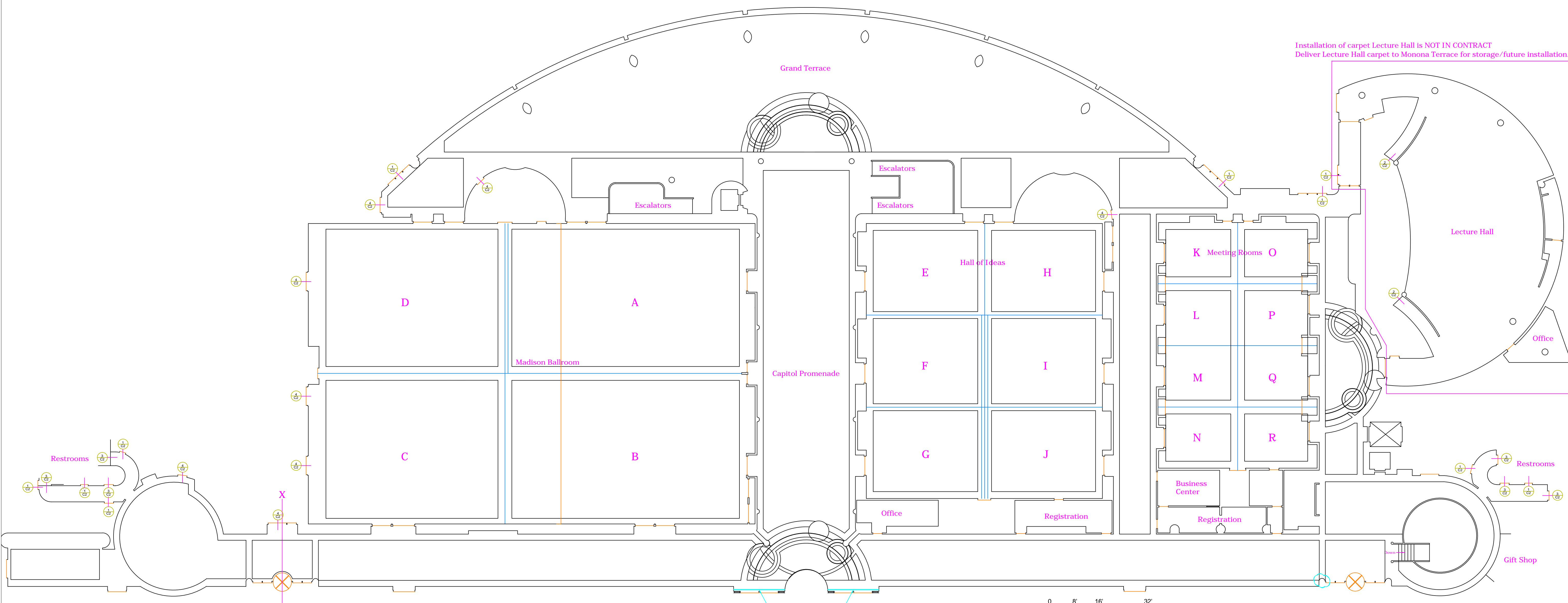
5 - Floor Box w/Carpet (no scale)



3rd Floor



5th Floor



4th Floor

4th Floor



Installation of carpet Lecture Hall is NOT IN CONTRACT
Deliver Lecture Hall carpet to Monona Terrace for storage/future installation.

This work was prepared by me or under my supervision and, in preparation of this project, I have read and approved the drawings. Supervision of construction is defined in Section 1.203 of the Rules & Regulations of the Board of Professional Engineers, Architects and Surveyors of the State of Wisconsin.

© 2013 Isthmus Architecture, Inc.

**MONONA TERRACE
CARPET REPLACEMENT PROJECT**

Monona Terrace Community & Convention Center
One John Nolen Drive, Madison, WI 53703

Proj. No.:	1301.01
Scale:	1/16" = 1'-0"
Drawn By:	pr
Date:	06-07-13
Rebid Date:	
Rev. Date:	

CARPET PLANS

Sheet Title
Sheet No:

C 2