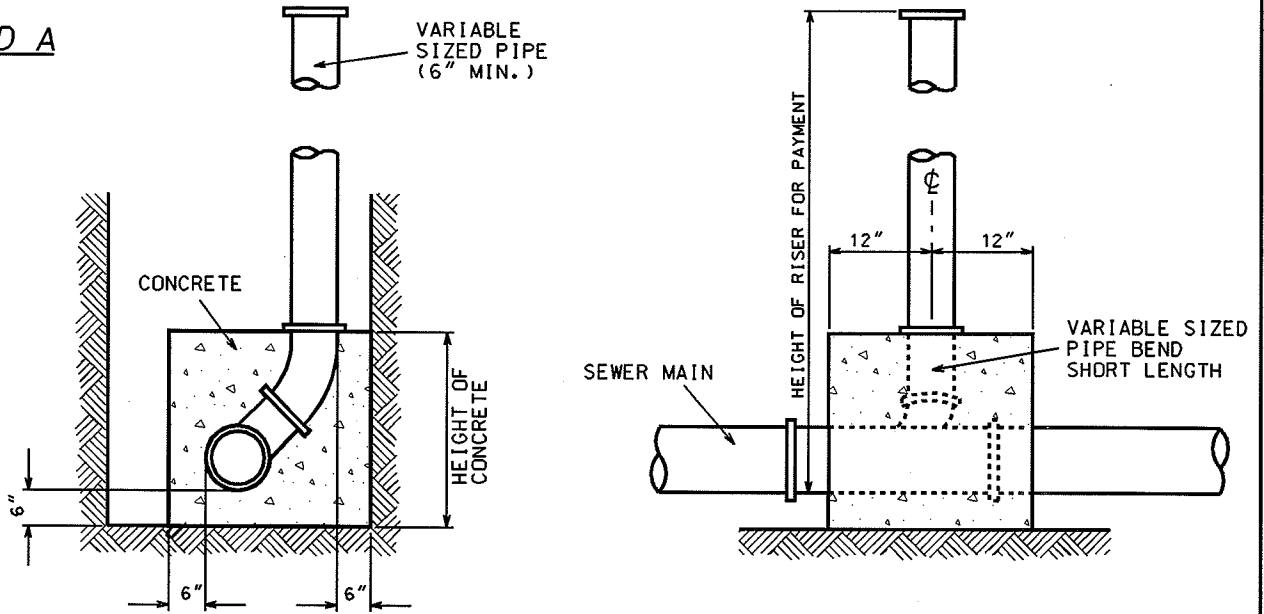
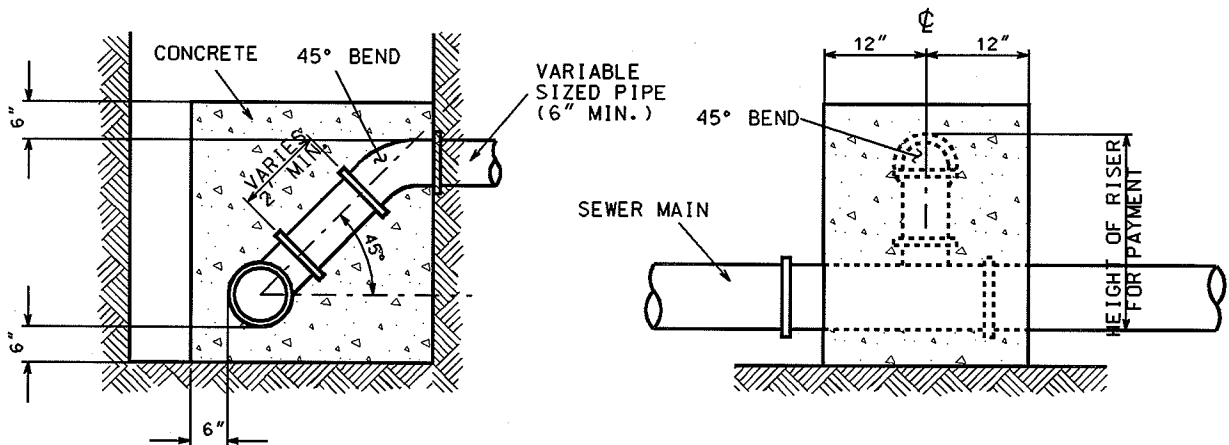


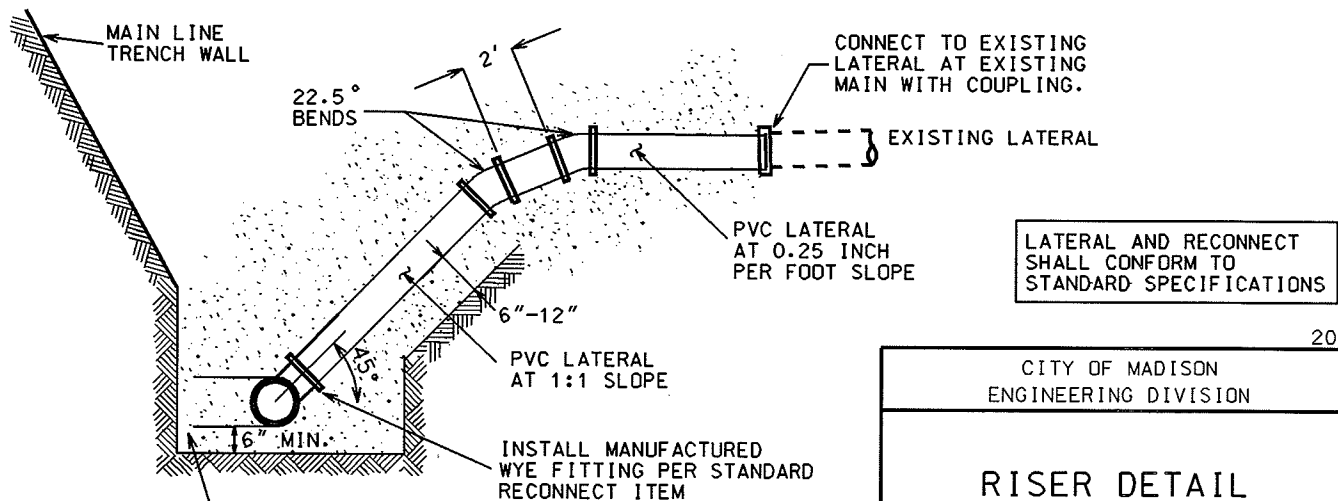
**METHOD A**



**METHOD B**



**ALTERNATE TO RISER**



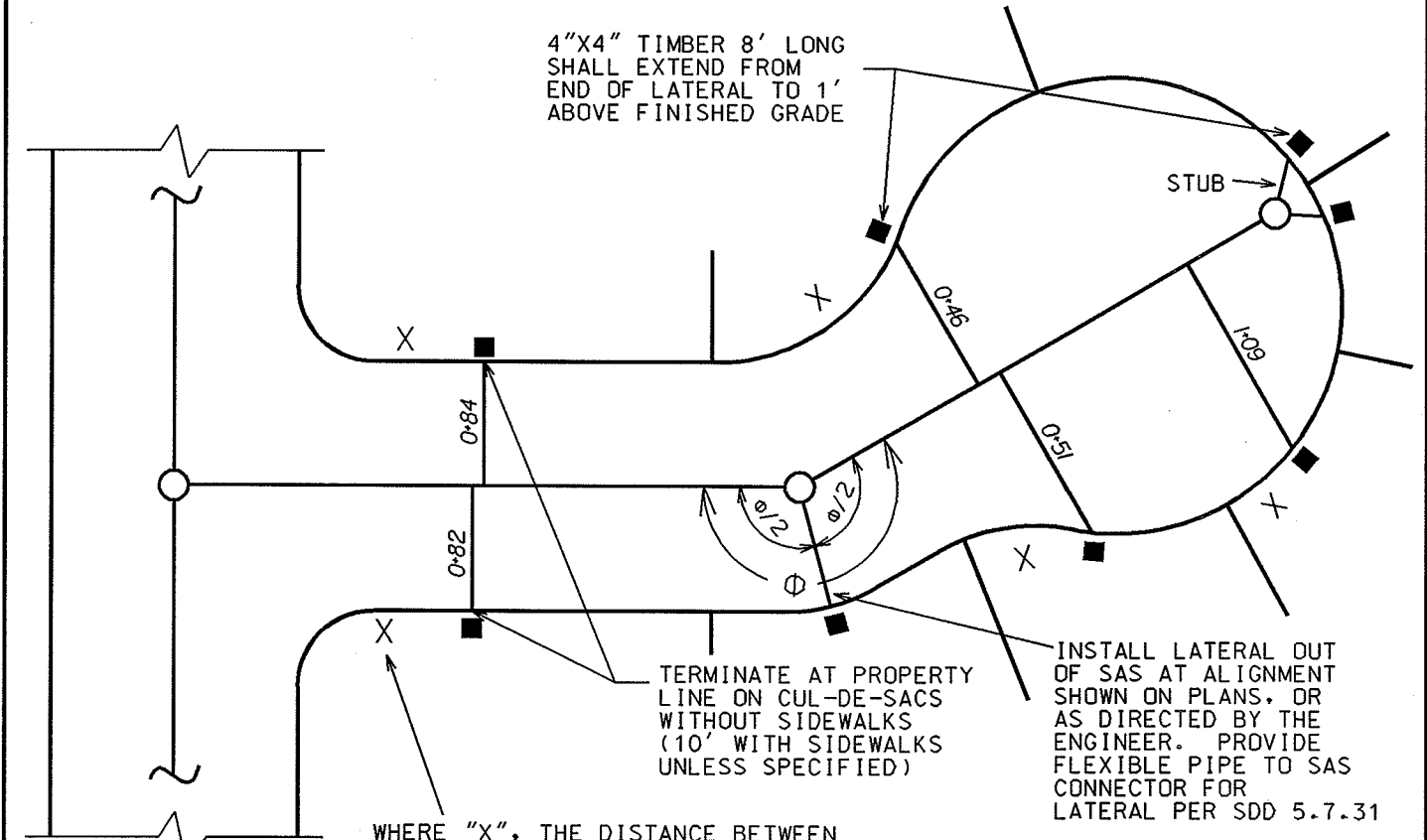
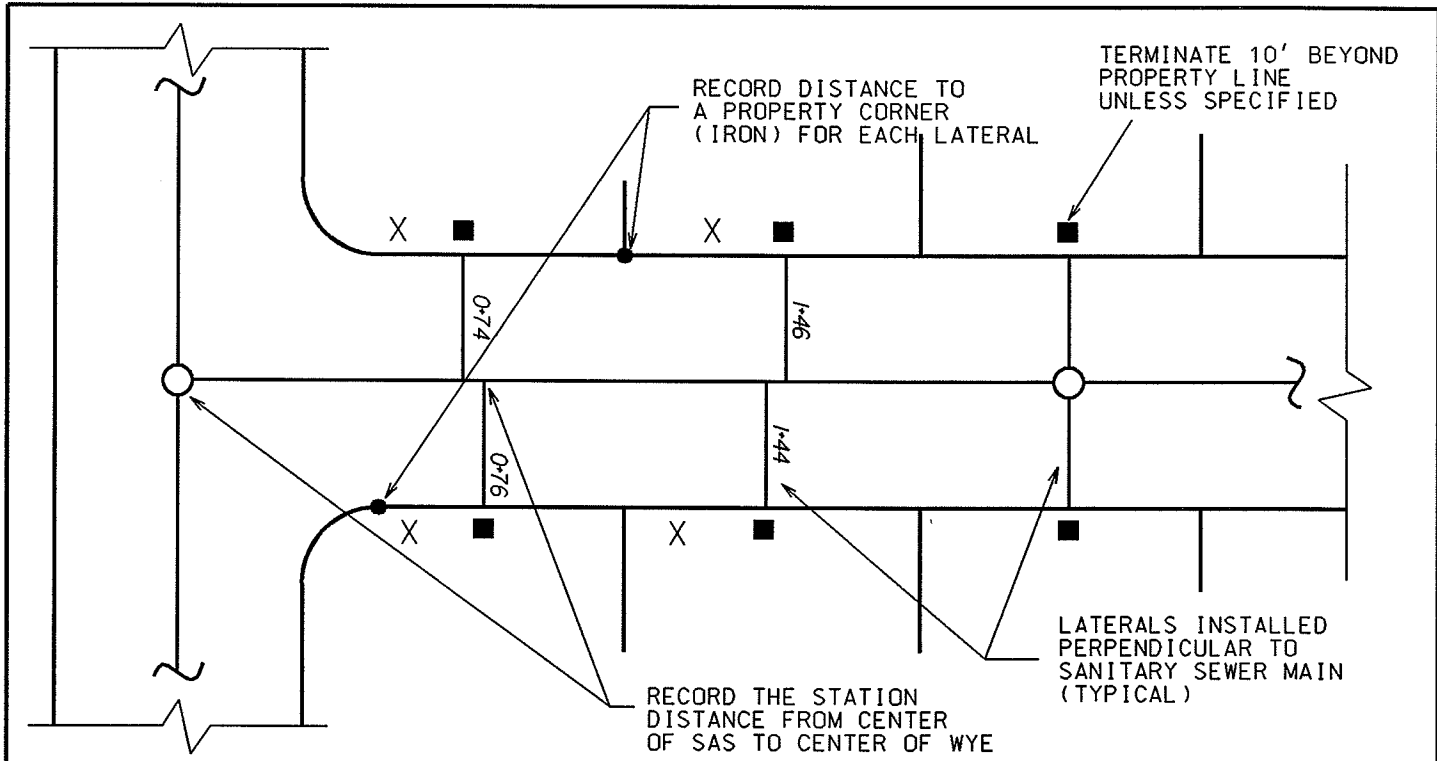
2004

CITY OF MADISON  
ENGINEERING DIVISION

**RISER DETAIL**

STANDARD DETAIL DRAWING 5.3.1

BEDDING MATERIAL AND DIMENSIONS  
PER CITY OF MADISON STANDARD SPECIFICATIONS  
(STANDARD DETAIL DRAWING 5.2.1)



WHERE "X", THE DISTANCE BETWEEN THE LATERAL AND THE PROPERTY DOWNSTREAM, EQUALS

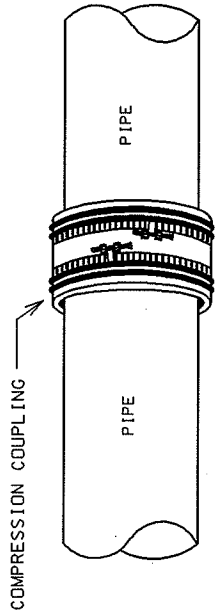
$$\frac{\text{LOT WIDTH} - 10'}{2}$$

UNLESS OTHERWISE SPECIFIED ON THE PLAN OR DIRECTED BY THE ENGINEER

2004

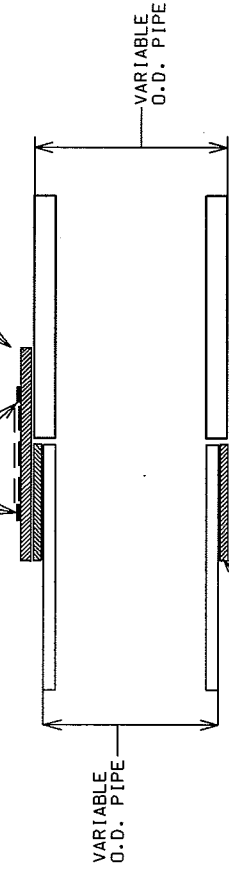
CITY OF MADISON ENGINEERING DIVISION
<b>LOCATION OF SANITARY LATERALS</b>
STANDARD DETAIL DRAWING 5.3.2

COMPRESSION COUPLING



STAINLESS STEEL BANDS, ASTM A-167

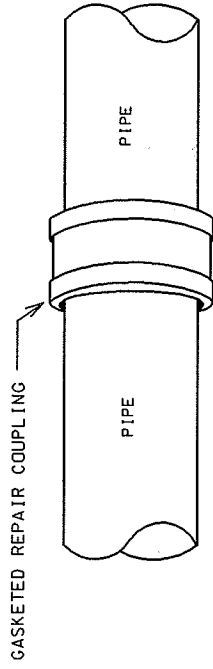
COMPRESSION COUPLING, CONFORMING TO ASTM C-594 TYPE B



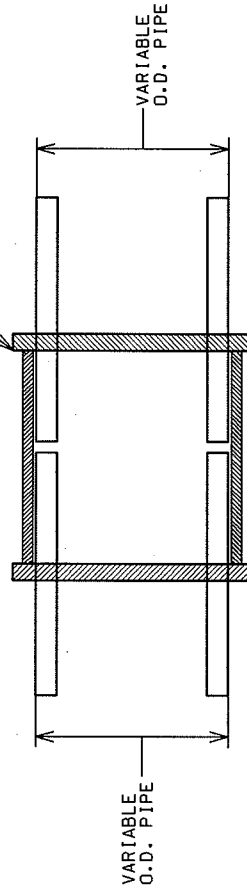
STAINLESS STEEL SHEAR RING, ASTM A-167, FOR USE ON 8" AND LARGER SIZE PIPE

TRANSITIONAL BUSHING TO CONFORM TO ASTM C-594 TYPE B, TO BE USED WHEN PIPES OF DIFFERENT MATERIAL AND DIFFERENT OUTSIDE DIAMETERS (O.D.) ARE TO BE CONNECTED

GASKETED REPAIR COUPLING



GASKETED REPAIR COUPLING CONFORMING TO ASTM D3034 SDR 35, ASTM F679, AND ASTM F2336



2004

CITY OF MADISON  
ENGINEERING DIVISION

COUPLING  
DETAILS

STANDARD DETAIL DRAWING 5.3.3