

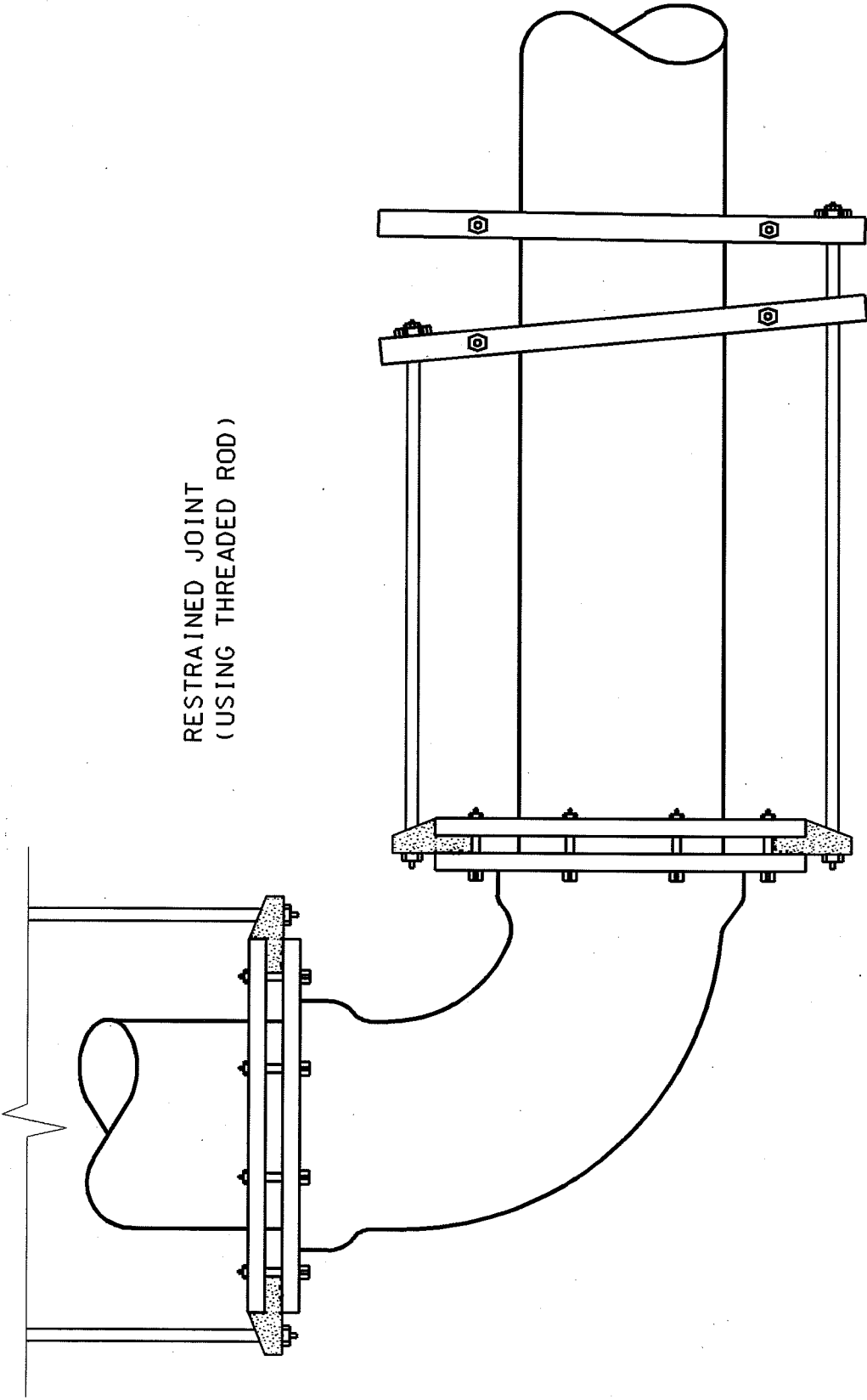
2004
 CITY OF MADISON
 WATER UTILITY

**SERVICE INSTALLATION
 PRIVATE CONTRACT**

STANDARD DETAIL DRAWING 7.01

NOTE:
 ON CUL-DE-SACS WITH NO SIDEWALKS,
 WATER SERVICE PIPE TO END AT
 PROPERTY LINE.

RESTRAINED JOINT
(USING THREADED ROD)

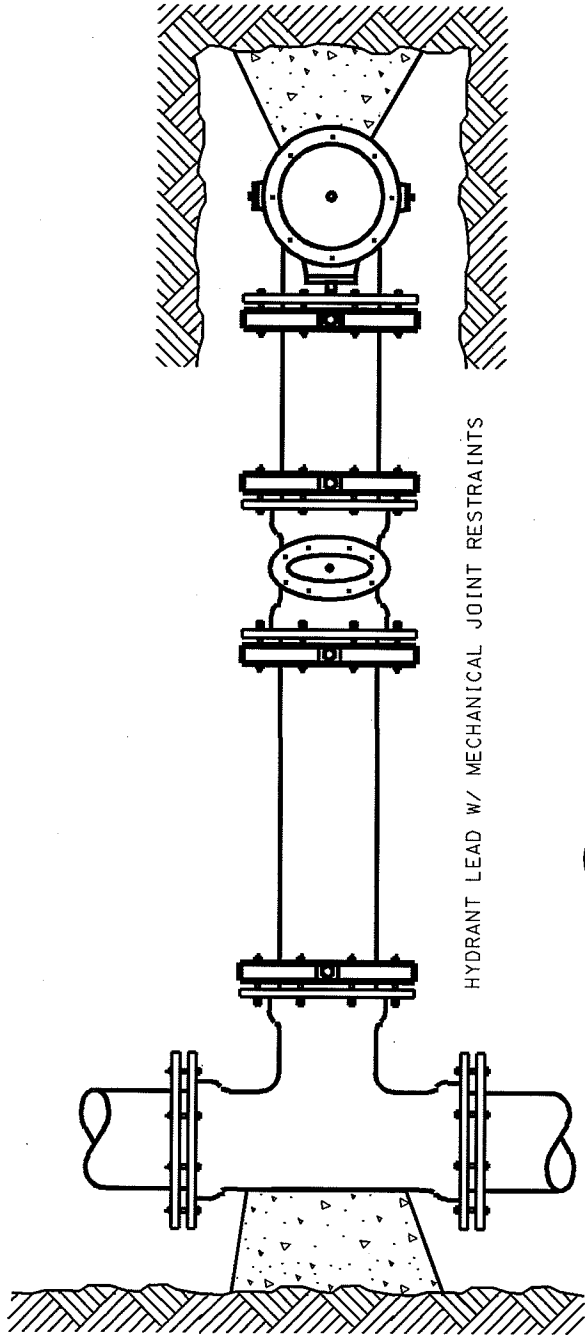


2004

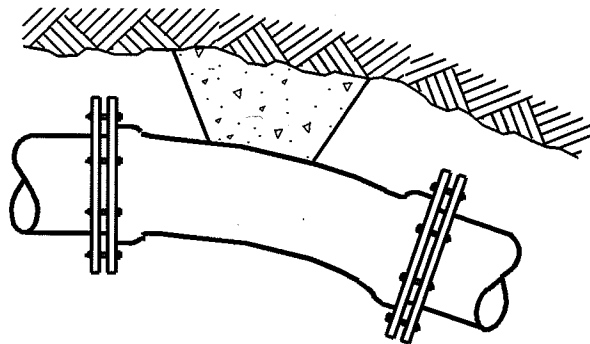
CITY OF MADISON
WATER UTILITY

STANDARD
THREADED RODDING

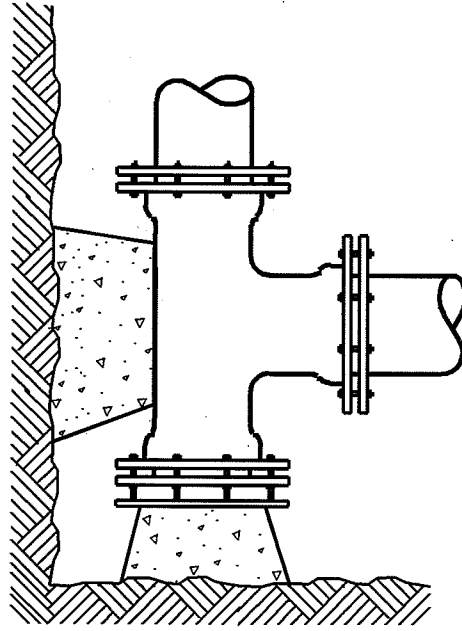
STANDARD DETAIL DRAWING 7.02



HYDRANT LEAD W/ MECHANICAL JOINT RESTRAINTS



REQUIRED BEARING AREA PER
MASTER SPECIFICATIONS SECTION 703.



2004

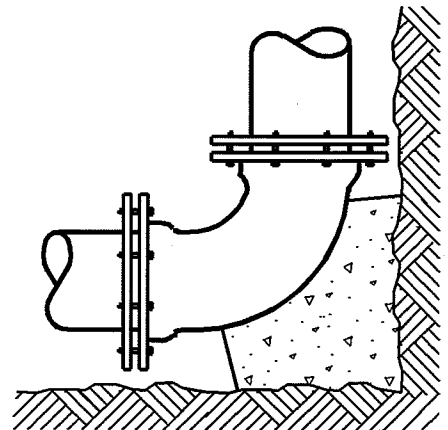
CITY OF MADISON
WATER UTILITY

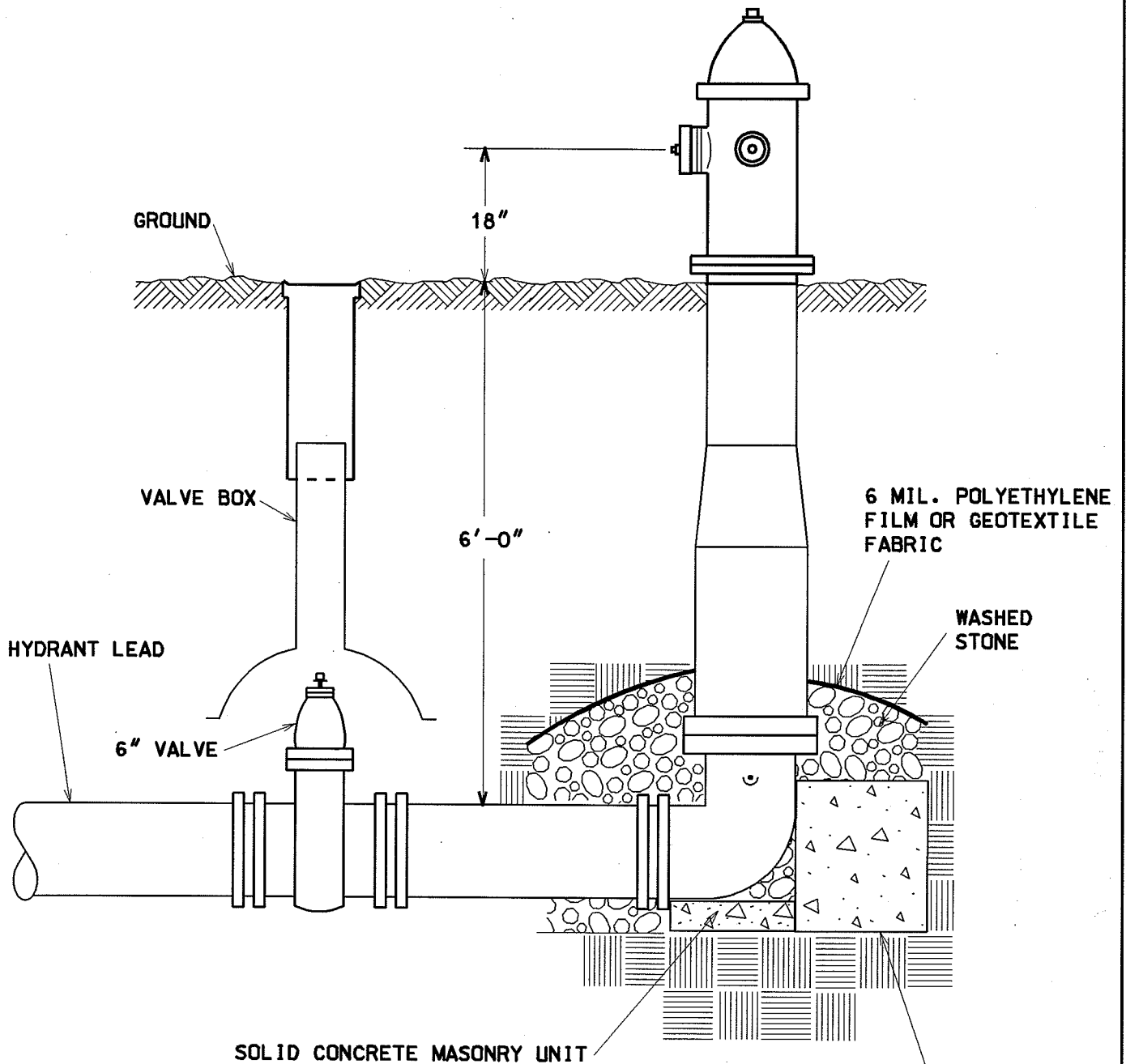
STANDARD THRUST
BLOCK ING

STANDARD DETAIL DRAWING 7.03

DENOTES UNDISTURBED SOIL

DENOTES POURED CONCRETE





NOTE: RESTRAIN ENTIRE LENGTH OF HYDRANT LEAD FROM THE TEE THROUGH THE VALVE TO THE HYDRANT AS SPECIFIED USING MECHANICAL JOINT REDRAINTS.

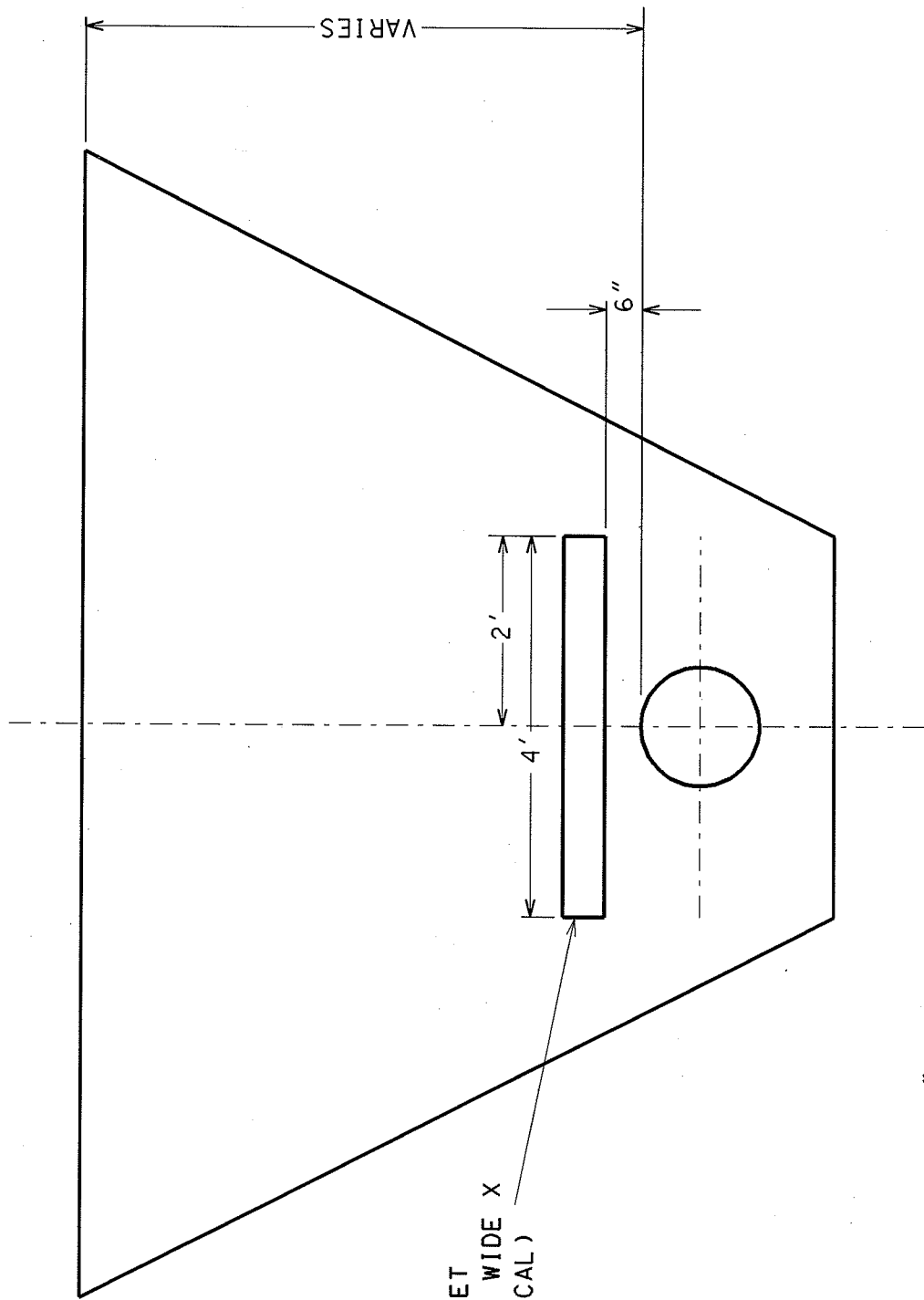
POURED CONCRETE THRUST BLOCK TO UNDISTURBED SOIL

2004

CITY OF MADISON
WATER UTILITY

TYPICAL HYDRANT
INSTALLATION

STANDARD DETAIL DRAWING 7.04



STYROFOAM SHEET
 2" THICK X 4' WIDE X
 8' LONG (TYPICAL)

NOTES:

- 1) ALL STYROFOAM TO BE 2" HIGH DENSITY POLYSTYRENE BOARD

2004

CITY OF MADISON
 WATER UTILITY

TYPICAL STYROFOAM
 INSTALLATION

STANDARD DETAIL DRAWING 7.05