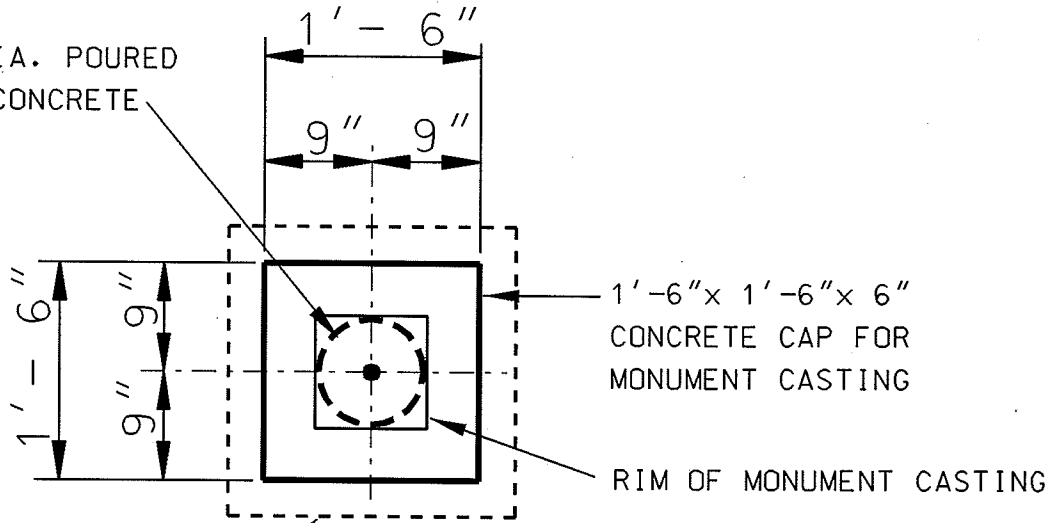


8" MIN. DIA. POURED
IN PLACE CONCRETE



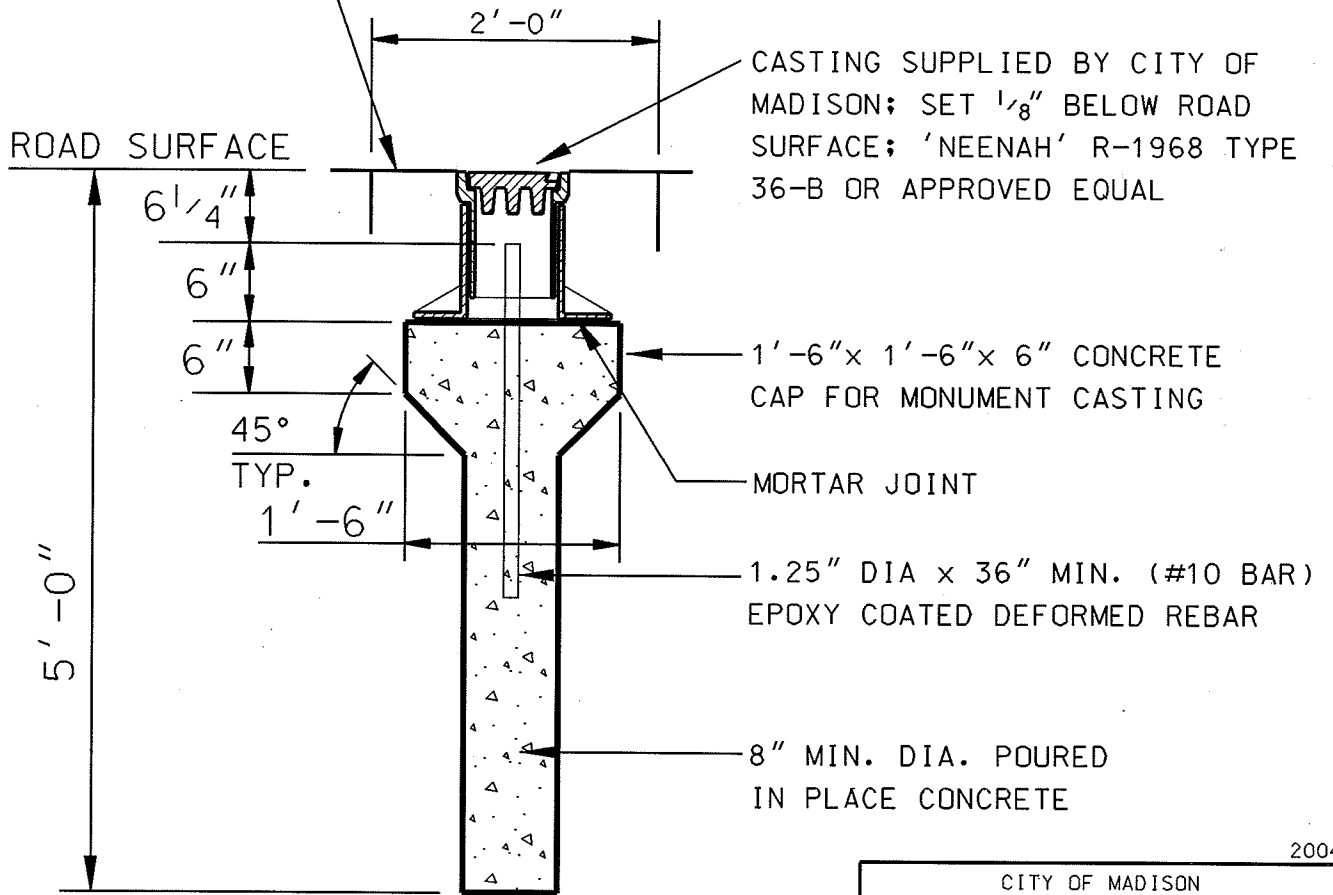
1'-6" x 1'-6" x 6"
CONCRETE CAP FOR
MONUMENT CASTING

RIM OF MONUMENT CASTING

2' x 2' MIN. PAVEMENT
PATCH AROUND NEW
MONUMENT CASTINGS

PLAN VIEW

NOTE: DETAILS FOR SECTION
CORNER MONUMENTS NOT IN
STREET SIMILAR, SHALL NOT
HAVE PAVEMENT PATCH



CASTING SUPPLIED BY CITY OF
MADISON; SET 1/8" BELOW ROAD
SURFACE; 'NEENAH' R-1968 TYPE
36-B OR APPROVED EQUAL

1'-6" x 1'-6" x 6" CONCRETE
CAP FOR MONUMENT CASTING

MORTAR JOINT

1.25" DIA x 36" MIN. (#10 BAR)
EPOXY COATED DEFORMED REBAR

8" MIN. DIA. POURED
IN PLACE CONCRETE

ROAD SURFACE

5'-0"

45°
TYP.

1'-6"

6 1/4"

6"

6"

2'-0"

SECTION VIEW

2004

CITY OF MADISON
ENGINEERING DIVISION

MADISON STANDARD
SECTION CORNER
MONUMENT

STANDARD DETAIL DRAWING 3.12