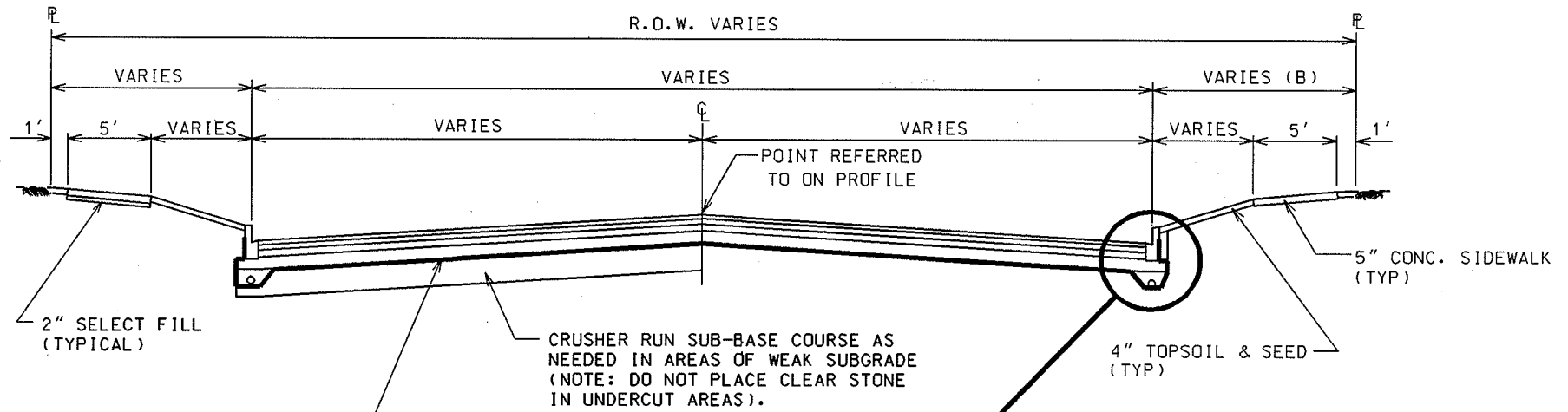


4.05



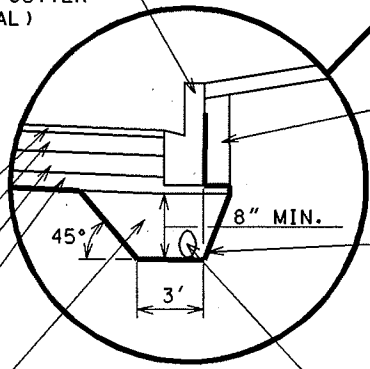
GEOTEXTILE FABRIC, WI-DOT TYPE SAS (NON-WOVEN) ENTIRE STREET IN AREAS OF UNDERDRAIN

TYPE 'A' CONC. CURB & GUTTER (TYPICAL)

ASPHALTIC CONC PAVEMENT UPPER LAYER
 ASPHALTIC CONC PAVEMENT LOWER LAYER
 CRUSHED AGG. BASE COURSE (GRADATION #2)
 CLEAR STONE BASE COURSE (GRADATION #1)

OPEN GRADED BASE COURSE (TYP) WI DOT GRADATION NO.2 AS SPECIFIED IN SECTION 501.2.5.4.4 OF WI DOT STANDARD SPECIFICATIONS

UNDERDRAIN INSTALLATION



FILL (INCIDENTAL)

GEOTEXTILE FABRIC WI DOT TYPE SAS (NON-WOVEN). FABRIC ACROSS FULL WIDTH OF ROAD AND WRAPPED UP BACK OF CURB

6" PERFORATED PIPE UNDERDRAIN, WRAPPED (TYP) PER SECTION 612 OF WI DOT STANDARD SPECIFICATIONS CENTER PIPE UNDER CURB AND GUTTER

2004

CITY OF MADISON
 ENGINEERING DIVISION

TYPICAL SECTION
 WITH UNDERDRAINS

STANDARD DETAIL DRAWING 4.05