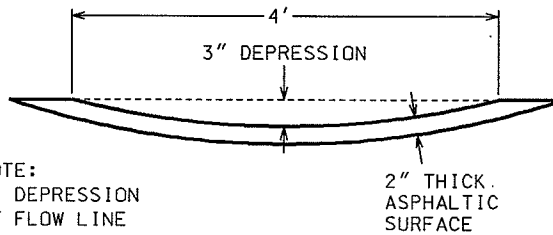
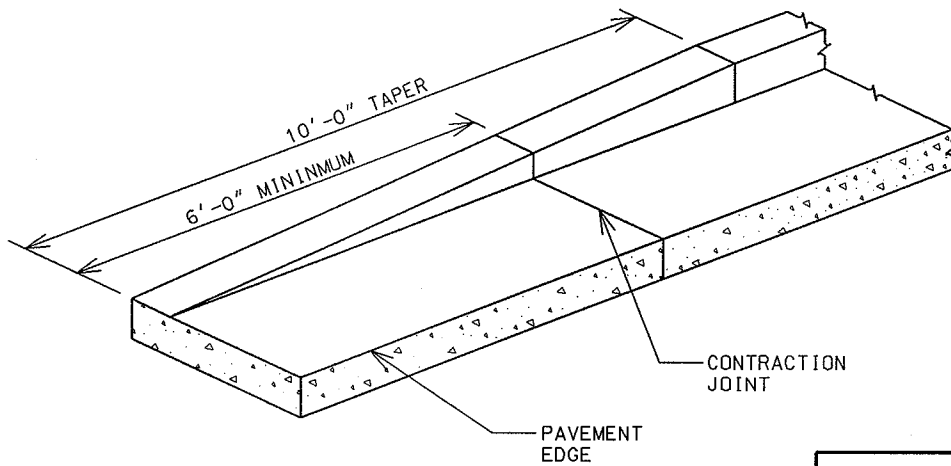


ASPHALT FLUME DETAIL  
TOP VIEW



ASPHALT FLUME  
SECTION A-A



END SECTION CURB AND GUTTER

2004

CITY OF MADISON  
ENGINEERING DIVISION

CURB TO DITCH  
TRANSITION  
ASPHALT FLUME

STANDARD DETAIL DRAWING 5.4.10