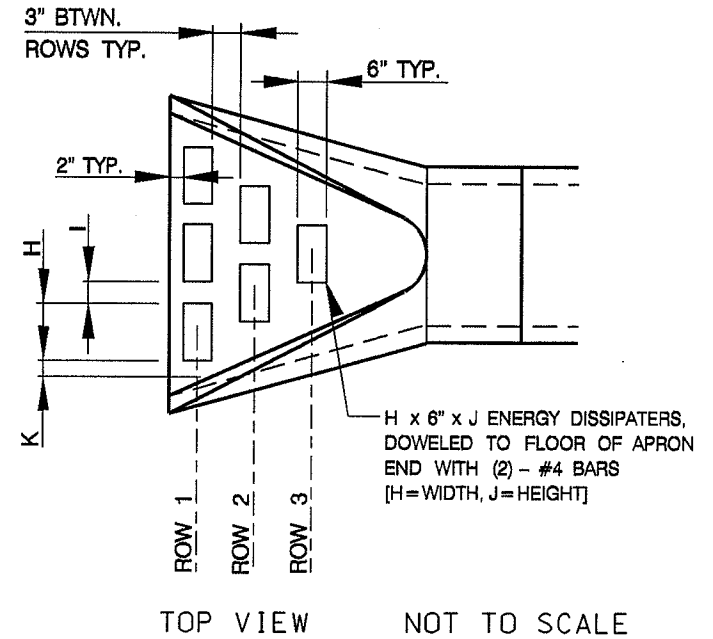
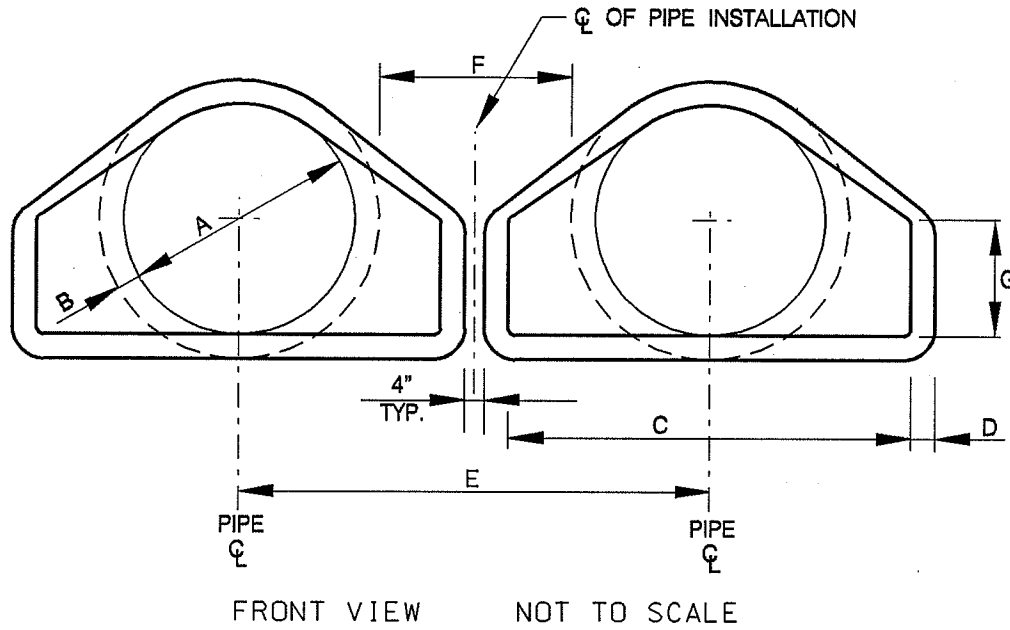


ENERGY DISSIPATORS TO BE INSTALLED ONLY WHEN DIRECTED BY THE DESIGN ENGINEER



H x 6" x J ENERGY DISSIPATORS, DOWELED TO FLOOR OF APRON END WITH (2) - #4 BARS [H=WIDTH, J=HEIGHT]

DIM.	PIPE DIAMETERS, RCP, CLASS III															
A	12"	15"	18"	21"	24"	27"	30"	36"	42"	48"	54"	60"	66"	72"	78"	84"
B	2"	2-1/4"	2-1/2"	2-3/4"	3"	3-1/4"	3-1/2"	4"	4-1/2"	5"	5-1/2"	6"	6-1/2"	7"	7-1/2"	8"
C	24"	30"	36"	42"	48"	54"	60"	72"	78"	84"	90"	96"	102"	108"	114"	120"
D	2"	2-1/4"	2-1/2"	2-3/4"	3"	3-1/4"	3-1/2"	4"	4-1/2"	5"	5"	5"	5-1/2"	6"	6-1/2"	6-1/2"
E	32"	38-1/2"	45"	51-1/2"	58"	64-1/2"	71"	84"	91"	98"	104"	110"	117"	124"	131"	137"
F	16"	19"	22"	25"	28"	31"	34"	40"	40"	40"	39"	38"	38"	38"	38"	37"
G	4"	6"	9"	9"	9-1/2"	10-1/2"	12"	15"	21"	24"	27"	30"	24"	24"	24"	36"
H	6"	6"	6"	6"	6"	6"	6"	6"	6"	6"	6"	6"	6"	6"	6"	6"
I	6"	10"	5"	6"	5-1/3"	6"	5-1/2"	8"	6"	8"	6"	7"	6"	7"	8"	9"
J	3"	3"	4"	4"	4"	6"	6"	6"	6"	8"	8"	8"	8"	8"	8"	8"
K	3"	4"	4"	6"	4"	6"	4"	5"	6"	4"	6"	6"	6"	5-1/2"	5"	4-1/2"
BLOCKS	ROW 1	2	2	3	3	4	4	5	5	6	6	7	7	8	8	8
	ROW 2	0	0	2	2	3	3	4	4	5	5	6	6	7	7	7
	ROW 3	0	0	0	0	2	2	3	3	4	4	5	5	6	6	6

NOTE: DIMENSIONS 'K' & 'H' ARE FIXED. DIMENSION 'I' IS APPROXIMATE. ACTUAL 'I' DIMENSION SHALL BE THE RESULT OF EVENLY SPACED BLOCKS WITHIN THE REMAINDER OF OPEN SPACE FOR THE ROW.

2004

CITY OF MADISON
ENGINEERING DIVISION

MULTIPLE RCP AE

STANDARD DETAIL DRAWING 5.4.2