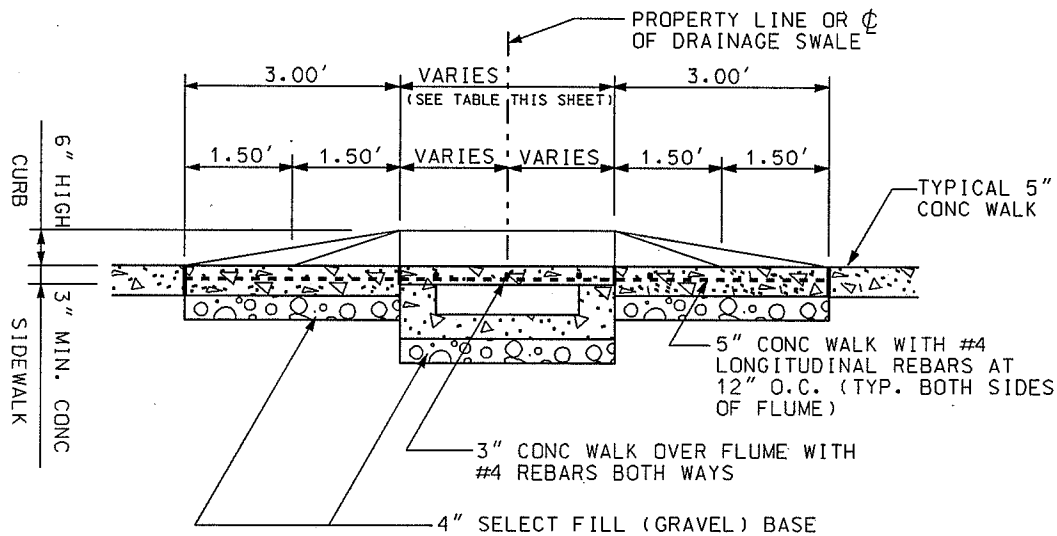
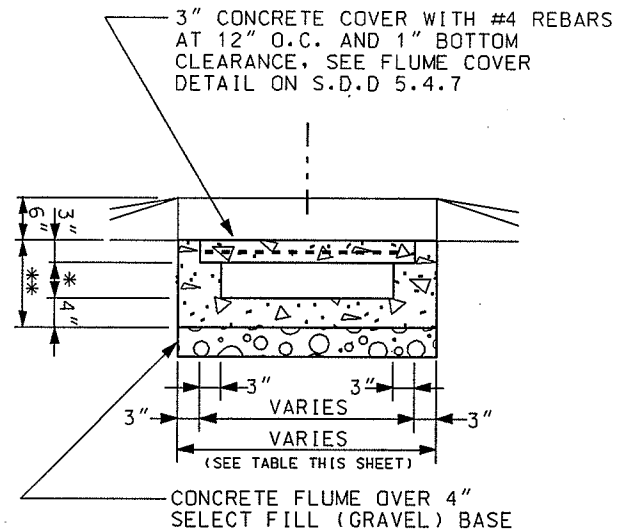


5.4.8



**DRAINAGE FLUME AT SIDEWALK
CROSS SECTION**



- * DIMENSION VARIES, 5" AT SIDEWALK TO 3" AT CURB.
- ** DIMENSION VARIES, 12" AT SIDEWALK TO 10" AT CURB.

**DRAINAGE FLUME AT TERRACE
CROSS SECTION**

ON GRADE IMPERVIOUS AREA IN SQUARE FEET

OUTLET FLUME SIZE	COVER WIDTH	NO. OF LONG. REBARS	CLEAR FROM EDGE	CENTER SPACING	EQUIV. PIPE DIAM.	GRADE PER FOOT OF PIPE & FLUME			
						1/16"	1/8"	1/4"	1/2"
12"x3"	18"	2	3"	12"	4"	1,625	7,470	3,740	4,720
18"x3"	24"	2	6"	12"	6"	5,200	7,470	10,400	14,600
24"x3"	30"	3	3"	12"	8"	11,650	16,250	22,750	32,600
30"x3"	36"	3	6"	12"	10"	22,100	30,850	44,250	63,000
36"x3"	42"	4	3"	12"	12"	34,150	52,300	71,500	102,200

NOTE: INCREASE ROOF AREAS BY 25% PRIOR TO USING CHART

2004

CITY OF MADISON
ENGINEERING DIVISION

**DRAINAGE FLUME
DETAIL**

PLATE 2 OF 2

STANDARD DETAIL DRAWING 5.4.8