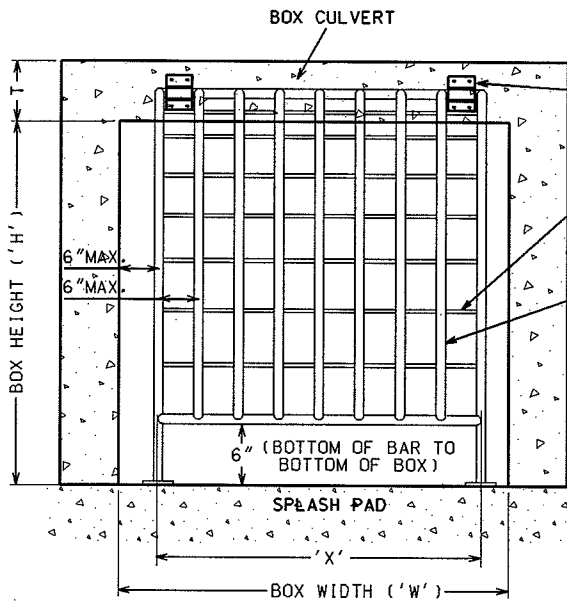


FRONT ELEVATION



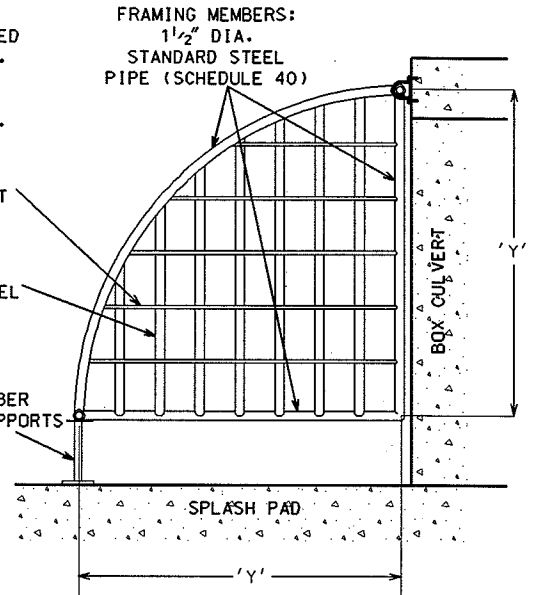
HINGE SHALL BE MOUNTED CENTERED IN BOX ROOF. SEE HINGE DETAIL FOR CONSTRUCTION AND TABLE FOR QUANTITIES.

HORIZONTAL MEMBERS:
3/4" DIA. ROD PER CHART

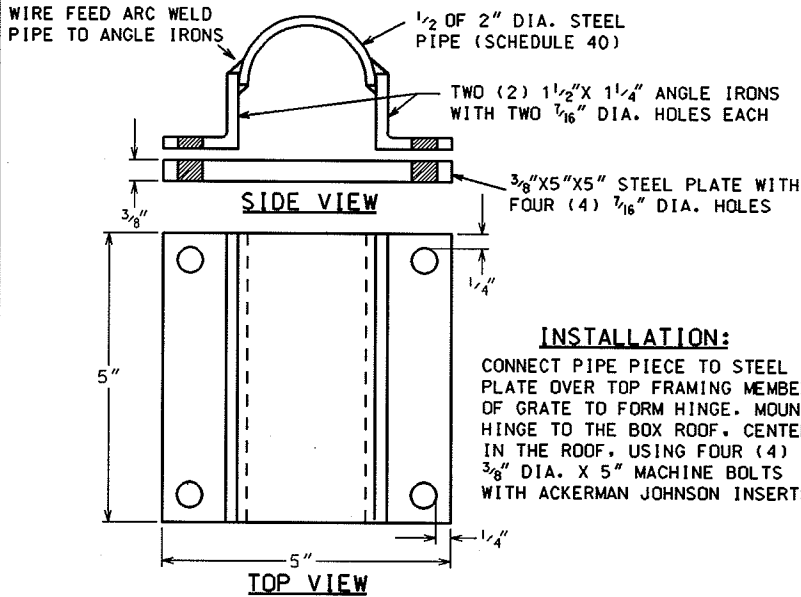
VERTICAL MEMBERS:
1 1/2" DIA. STANDARD STEEL PIPE (SCHEDULE 40)

EXTEND FRAMING MEMBER TO CREATE FRONT SUPPORTS AS SHOWN BELOW

SIDE VIEW



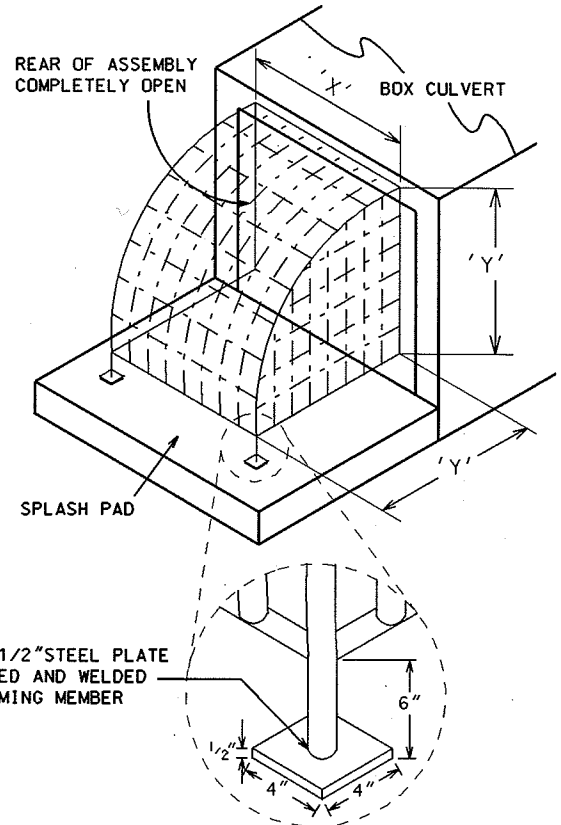
TWO PIECE SPLIT HINGE DETAIL



INSTALLATION:

CONNECT PIPE PIECE TO STEEL PLATE OVER TOP FRAMING MEMBER OF GRATE TO FORM HINGE. MOUNT HINGE TO THE BOX ROOF. CENTERED IN THE ROOF. USING FOUR (4) 3/8" DIA. X 5" MACHINE BOLTS WITH ACKERMAN JOHNSON INSERTS

ISOMETRIC VIEW



NOTES:

PAINTING SPECIFICATIONS FOR PAINTING REQUIREMENTS. SEE SECTION 506.2 (b) STRUCTURAL STEEL PAINT-EPOXY SYSTEM FOR STORM SEWER GATES

ALL DIMENSIONS ARE BAR CENTER TO BAR CENTER UNLESS OTHERWISE NOTED

BOX SIZE 'W' X 'H' (FEET)	T (IN)	NUMBER OF GATES	DIMENSIONS X Y (INCHES)		NUMBER OF BARS PER GATE (EXCLUDING FRAMING BARS) (EVENLY SPACED)		NUMBER OF HINGES PER GATE
			X	Y	VERTICAL	HORIZONTAL	
4X3	7 1/2	1	36	32.80	4	4	2
6X3	8	1	60	33.05	7	4	3
6X4	8	1	60	45.05	7	6	3
6X5	8	1	60	57.05	7	8	3
6X6	8	1	60	69.05	7	10	3
* 8X4	8	2	39	45.05	4	6	2
* 8X5	8	2	39	57.05	4	8	2
* 8X6	8	2	39	69.05	4	10	2
*10X6	10	2	51	70.05	6	10	3

* WITH TWIN GATES THERE SHALL BE A 6" BETWEEN THE GATES (MEASURED TO THE CENTER OF THE FRAMING BARS)

CONSTRUCT WINGWALLS AND SPLASH PADS PER S.D.D. 5.5.1

2004

CITY OF MADISON
ENGINEERING DIVISION

**BOX CULVERT
INLET GATE
(UPSTREAM)**

STANDARD DETAIL DRAWING 5.6.2