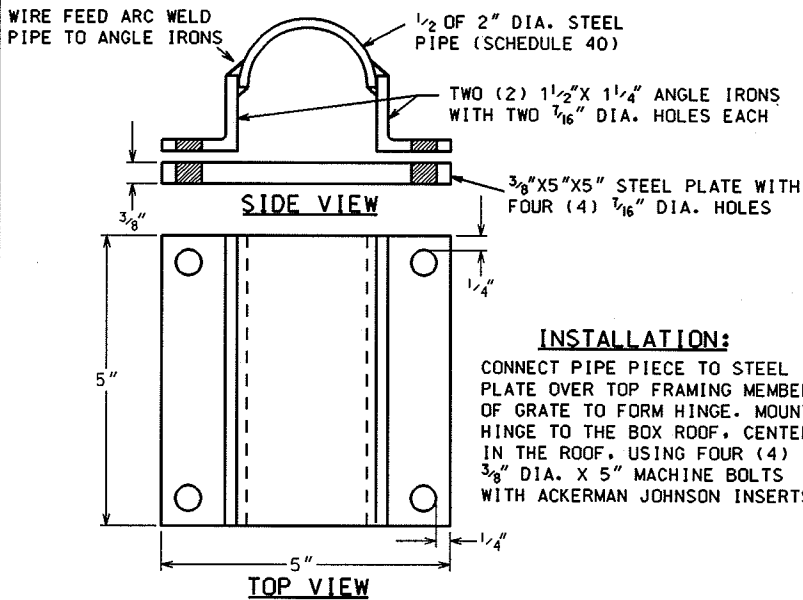
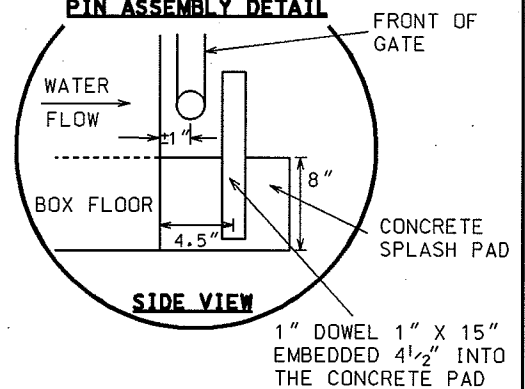


TWO PIECE SPLIT HINGE DETAIL



PIN ASSEMBLY DETAIL



NOTES:

PAINTING SPECIFICATIONS

FOR PAINTING REQUIREMENTS, SEE SECTION
506.2 (b) STRUCTURAL STEEL PAINT-EPOXY
SYSTEM FOR STORM SEWER GATES

CONSTRUCT WINGWALLS AND
SPLASH PADS PER S.D.D. 5.5.1

ALL DIMENSIONS ARE BAR CENTER TO BAR CENTER UNLESS OTHERWISE NOTED

BOX SIZE 'W' X 'H' (FEET)	T (IN)	NUMBER OF GATES	DIMENSIONS X Y (INCHES)		NUMBER OF BARS PER GATE (EXCLUDING FRAMING BARS) (EVENLY SPACED)		NO. OF HINGES PER GATE	NO. OF PINS PER GATE
			X	Y	VERTICAL	HORIZONTAL		
4X3	7 1/2	1	36	32.80	4	4	2	1
6X3	8	1	60	33.05	7	4	3	2
6X4	8	1	60	45.05	7	6	3	2
6X5	8	1	60	57.05	7	8	3	2
6X6	8	1	60	69.05	7	10	3	2
* 8X4	8	1	84	45.05	10	6	4	2
* 8X5	8	1	84	57.05	10	8	4	2
* 8X6	8	1	84	69.05	10	10	4	2
* 10X6	10	1	108	70.05	13	10	5	3

2004

CITY OF MADISON
ENGINEERING DIVISION

BOX CULVERT
OUTLET GATE
(DOWNSTREAM)

STANDARD DETAIL DRAWING 5.6.3