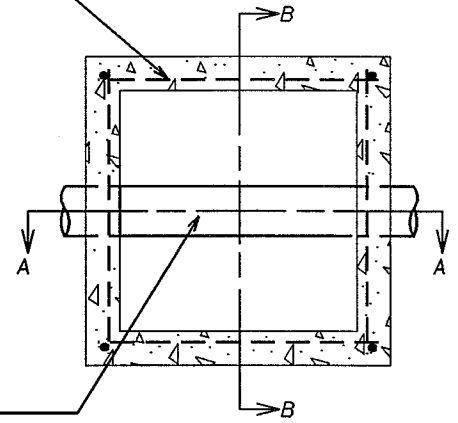
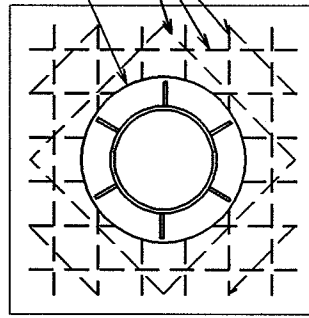
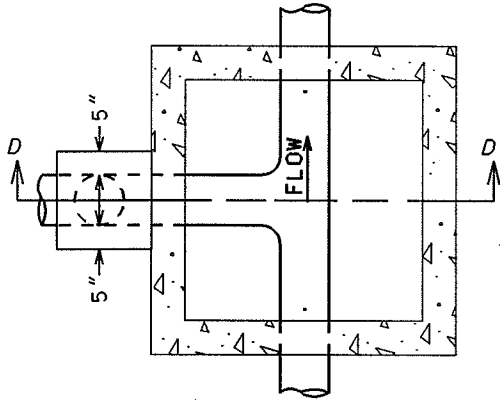


MADISON STANDARD  
S.A.S. FRAME & COVER

#4  $\phi$  RODS  
6" BOTH WAYS

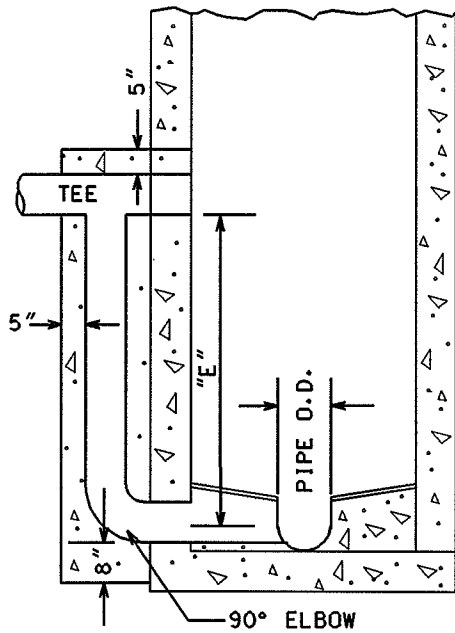
#6  $\phi$  RODS - SPACED 2 1/2"  
FROM INSIDE WALL  
OF STRUCTURE.



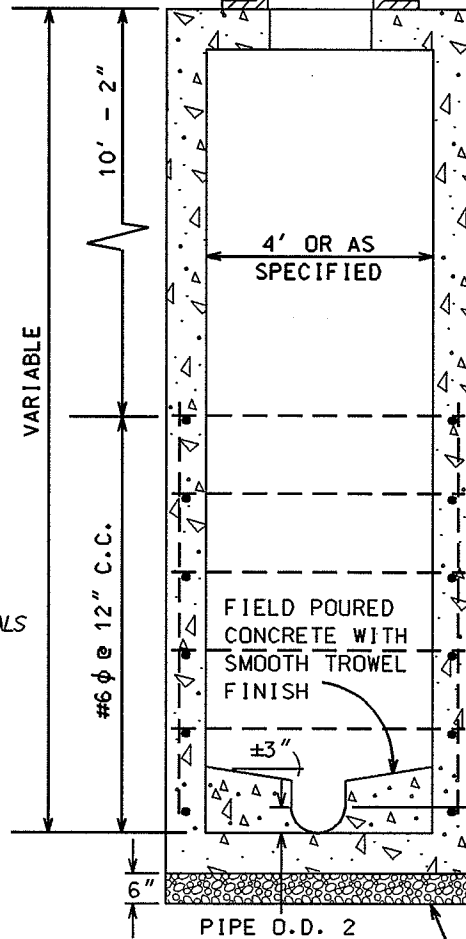
CONCRETE FLOWLINE  
WITH SMOOTH TROWEL  
FINISH

SEE DETAIL 5.7.15  
FOR CASTING AND  
ADJUSTMENT  
REQUIREMENTS

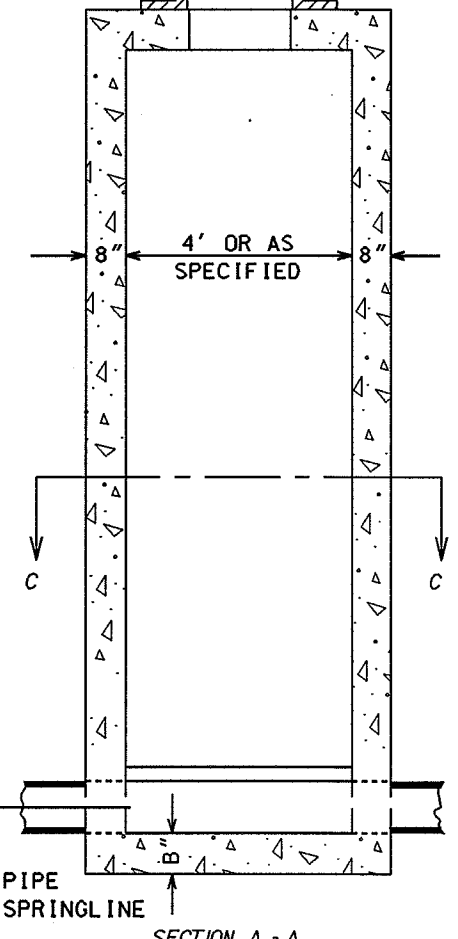
SECTION C - C



SECTION D - D  
DROP INLET CONSTRUCTION FOR  
SANITARY SEWER MAINS AND LATERALS



SECTION B - B



SECTION A - A

MECHANICALLY  
COMPACTED  
CRUSHED STONE

NOTES:

DROP INLET TO BE BUILT AT ALL  
S.A.S. WHEN DISTANCE "E" IS  
GREATER THAN 24". "E" SHOULD  
BE MEASURED FROM INVERT OF  
INCOMING PIPE TO THE SPRING-  
LINE OF THE OUTGOING SEWER.

ON 4'X4' & 5'X5' S.A.S., CENTER  
CASTING ON S.A.S.; ON 6'X6' S.A.S.,  
CENTER OF CASTING TO BE 2' FROM  
OUTSIDE WALL OF S.A.S..

THICKNESS OF FLOOR (DIMENSION "B") TO BE 8" UP TO 10' DEPTHS &  
12" FOR GREATER DEPTHS.

REFER TO STANDARD PLATE 5.7.16 "MADISON STANDARD FRAMES WITH  
NON-ROCKING COVER" FOR CASTING DESIGNATION.

2004

CITY OF MADISON  
ENGINEERING DIVISION

SANITARY SEWER  
CAST-IN-PLACE SAS

STANDARD DETAIL DRAWING 5.7.1