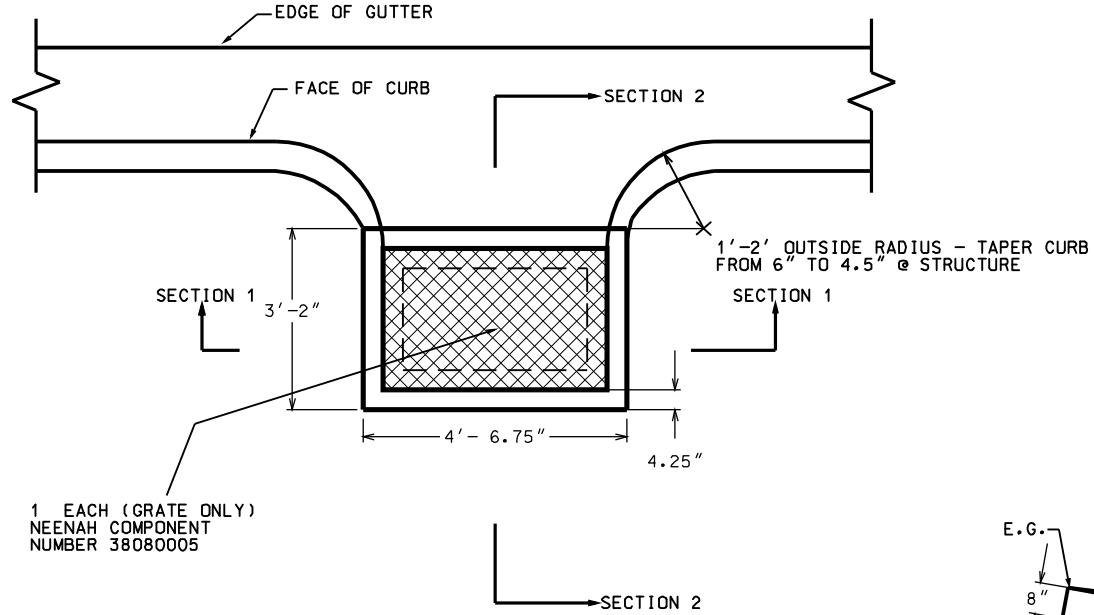
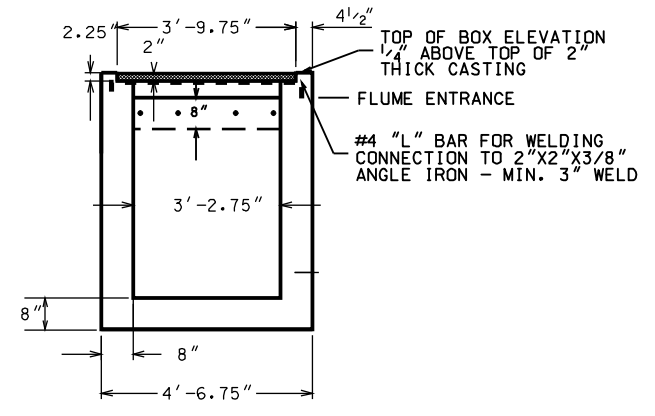


5.7.12

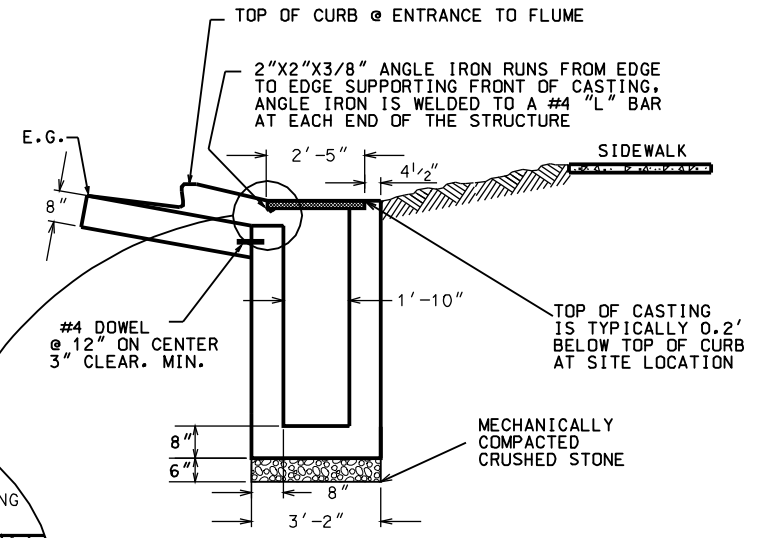
ROAD



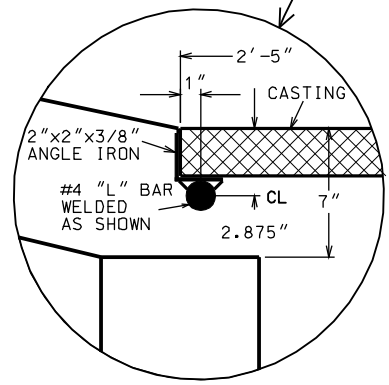
STRUCTURE  
**PLAN VIEW**



**SECTION 1**



**SECTION 2**



2005

CITY OF MADISON  
ENGINEERING DIVISION

**TERRACE INLET  
TYPE 3**

STANDARD DETAIL DRAWING 5.7.12 B