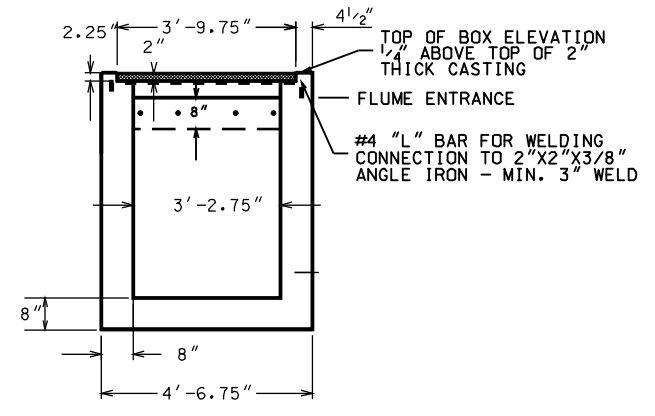
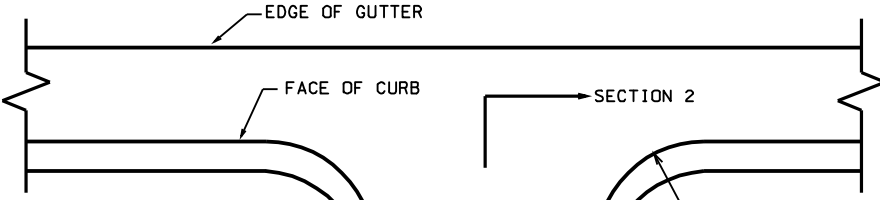


5.7.12

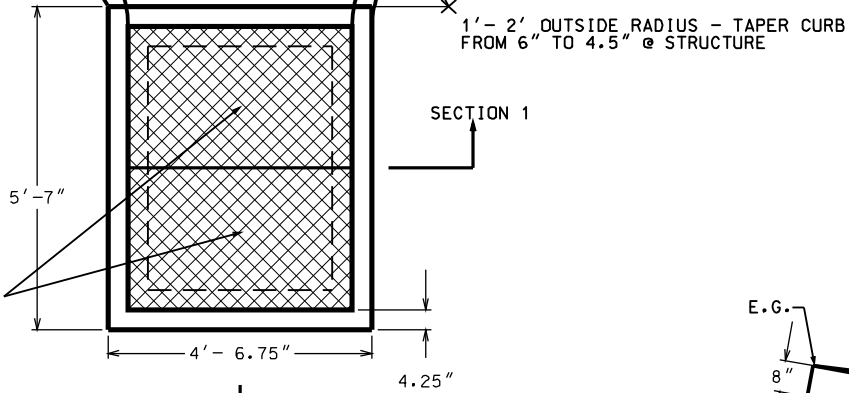
ROAD



**SECTION 1**

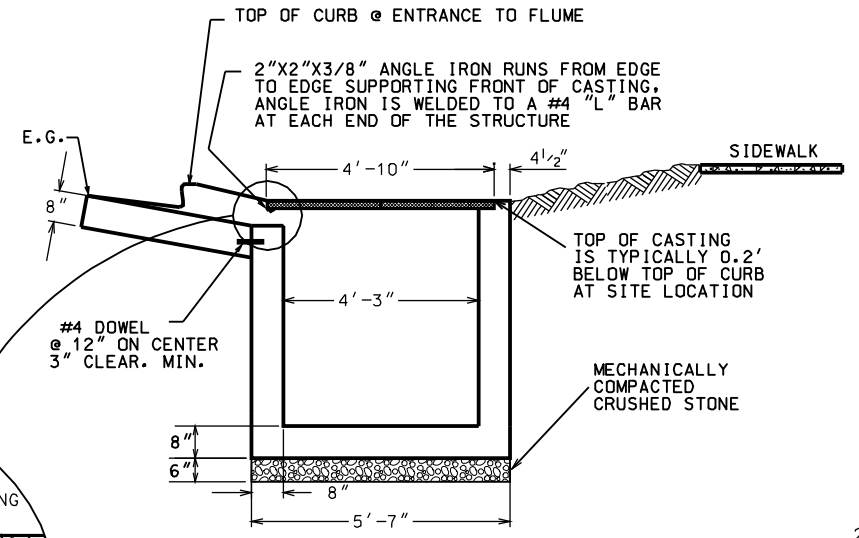
SECTION 1

SECTION 1



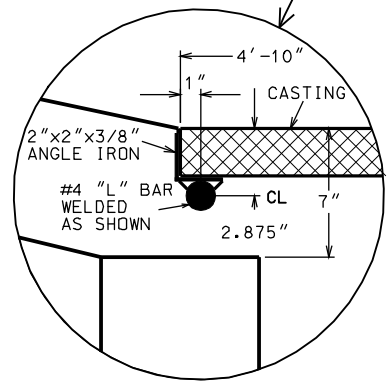
2 EACH (GRATE ONLY)  
NEENAH COMPONENT  
NUMBER 38080005

SECTION 2



**SECTION 2**

**STRUCTURE  
PLAN VIEW**



2005

CITY OF MADISON ENGINEERING DIVISION
<b>TERRACE INLET TYPE 1</b>
STANDARD DETAIL DRAWING 5.7.12