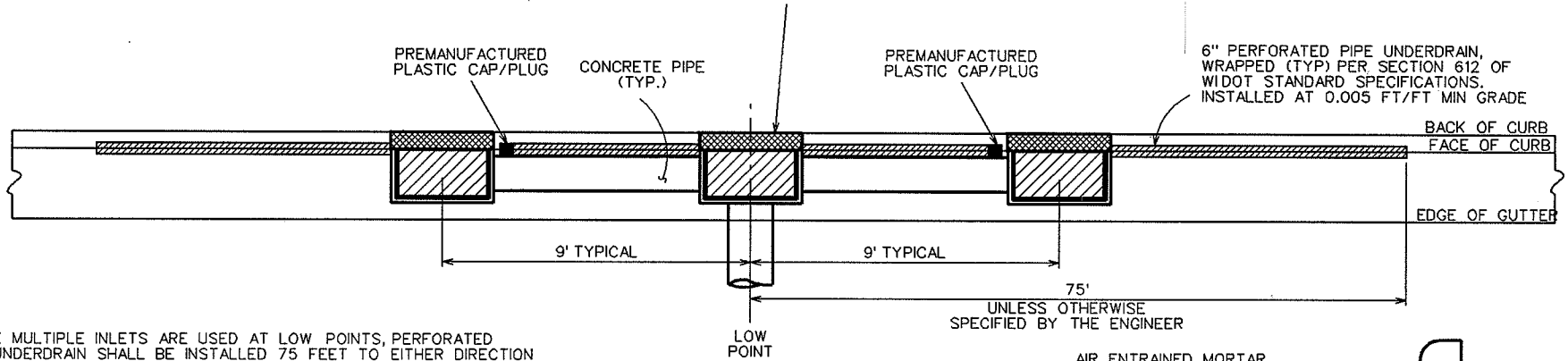
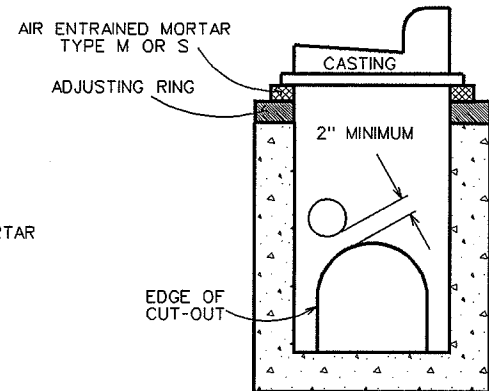


NOTE:  
ATTACHMENT TO REAR OF INLET IS  
SATISFACTORY IF PIPE SIZE RESTRICTS  
SPACE FOR UNDERDRAIN CORE.



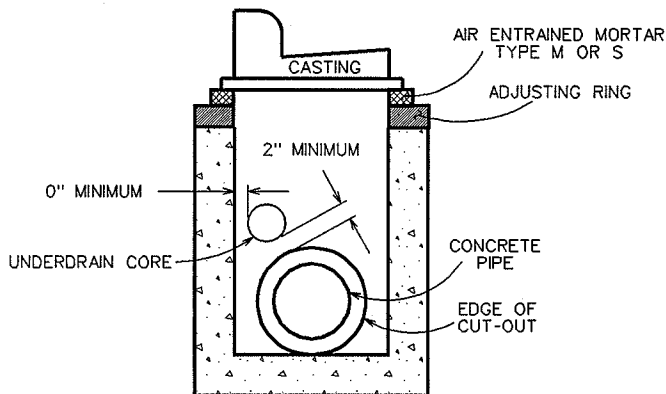
NOTE:  
WHERE MULTIPLE INLETS ARE USED AT LOW POINTS, PERFORATED  
PIPE UNDERDRAIN SHALL BE INSTALLED 75 FEET TO EITHER DIRECTION  
FROM THE LOW POINT AT A MINIMUM POSITIVE GRADE OF 0.005 FT/FT.  
THE SECTION OF UNDERDRAIN BETWEEN THE CENTER AND OUTER INLETS  
SHALL BE PLACED TIGHT TO THE OUTER INLET, CAPPED WITH A  
PREMANUFACTURED PLASTIC CAP OR PLUG, AND LAID AS SPECIFIED ABOVE  
TO THE CENTER INLET.

**TOP VIEW**  
TYPICAL TRIPLE INLET  
CONFIGURATION WITH UNDERDRAIN



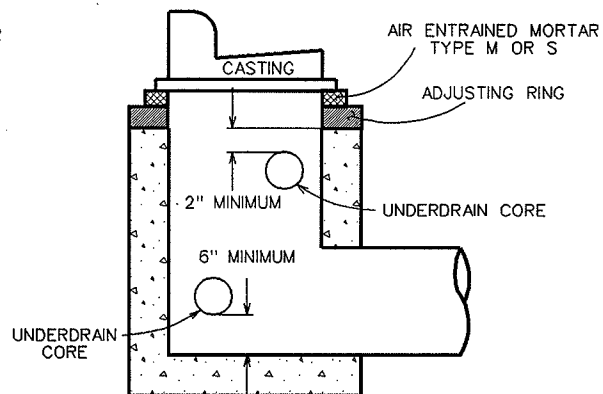
NOTE:  
WHERE 'DOG HOUSES' ARE USED CORE  
HOLES SHALL NOT BE INSTALLED IN THE  
'DOG HOUSE' AND SHALL BE INSTALLED  
2" OUTSIDE THE 'DOG HOUSE'.

**CROSS-SECTION VIEW**  
TYPICAL 'DOG HOUSE'  
INLET CONFIGURATION



NOTE:  
(1) CORE HOLES SHALL PROVIDE FOR A  
MINIMUM OF 2" OF CONCRETE BETWEEN  
THE CUTOUT FOR A CONCRETE PIPE AND  
THE EDGE OF THE CORE HOLE.  
(2) CORE HOLES MAY HAVE 0" CLEARANCE  
FROM THE INSIDE WALLS OF A STRUCTURE.

**CROSS-SECTION VIEW**  
TYPICAL INLET IN SUMP  
CONDITION WITH  
UNDERDRAIN CORED  
INTO WALL WITH PIPE



NOTE:  
(1) BOTTOM OF CORE PLACED A MINIMUM  
OF 6" ABOVE THE FLOOR OF THE INLET.  
(2) TOP OF CORE HOLES WILL BE A MINIMUM  
OF 2" BELOW THE TOP OF THE INLET  
STRUCTURES (BOTTOM OF RINGS)  
(3) DRAIN TILES SHALL NOT BE ALLOWED IN  
THE RING OF THE STRUCTURE OF INLETS  
OR SEWER ACCESS STRUCTURES

**CROSS-SECTION VIEW**  
TYPICAL INLET CONFIGURATION  
WITH UNDERDRAIN CORED  
INTO WALL WITH NO PIPE

5.7.14

DRAWING NOT TO SCALE

2004
CITY OF MADISON ENGINEERING DIVISION
<b>UNDERDRAIN</b>
STANDARD DETAIL DRAWING 5.7.14