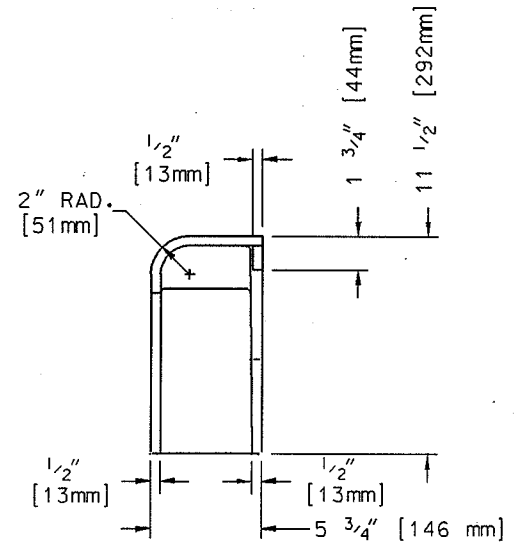
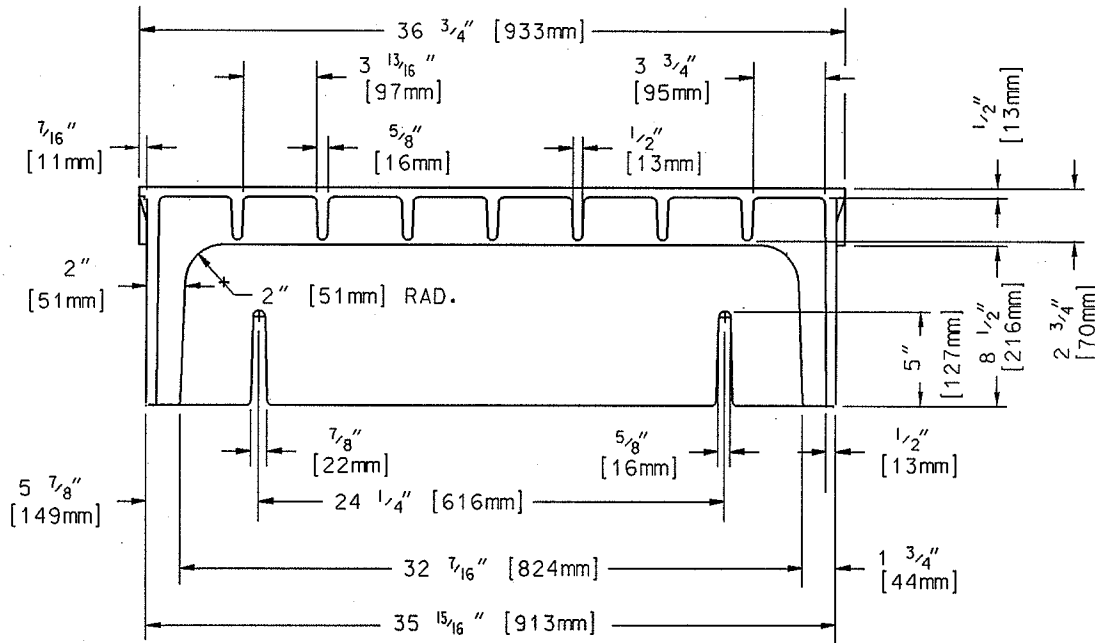
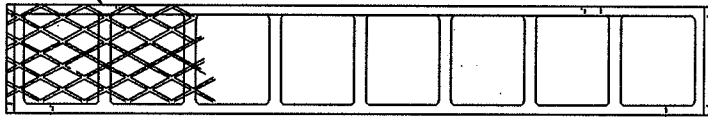


TYPE "C"
CHECKERED
TOP DESIGN



NOTE: CURB BOX HEIGHT ADJUSTABLE 6"
TO 9" FOR BOTH COVER TYPES.

5.7.19

NOTE: ALL DIMENSIONS ARE SHOWN IN ENGLISH AND [METRIC].
 MATERIAL: CAST GRAY IRON ASTM A-48, CLASS 35B
 FINISH: NO PAINT
 WEIGHT: 116#

2004

CITY OF MADISON
ENGINEERING DIVISION

R-3067
CURB BOX

STANDARD DETAIL DRAWING 5.7.19