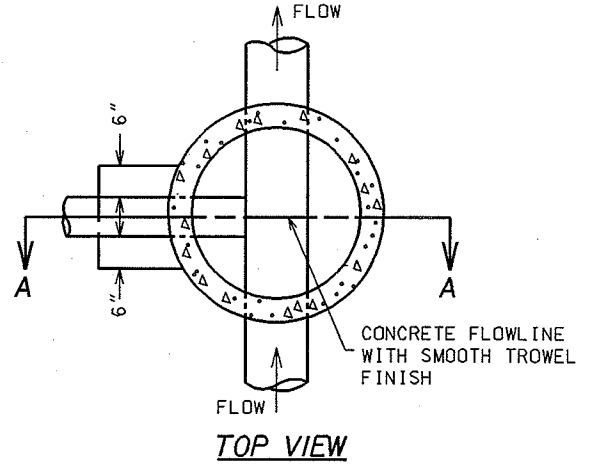
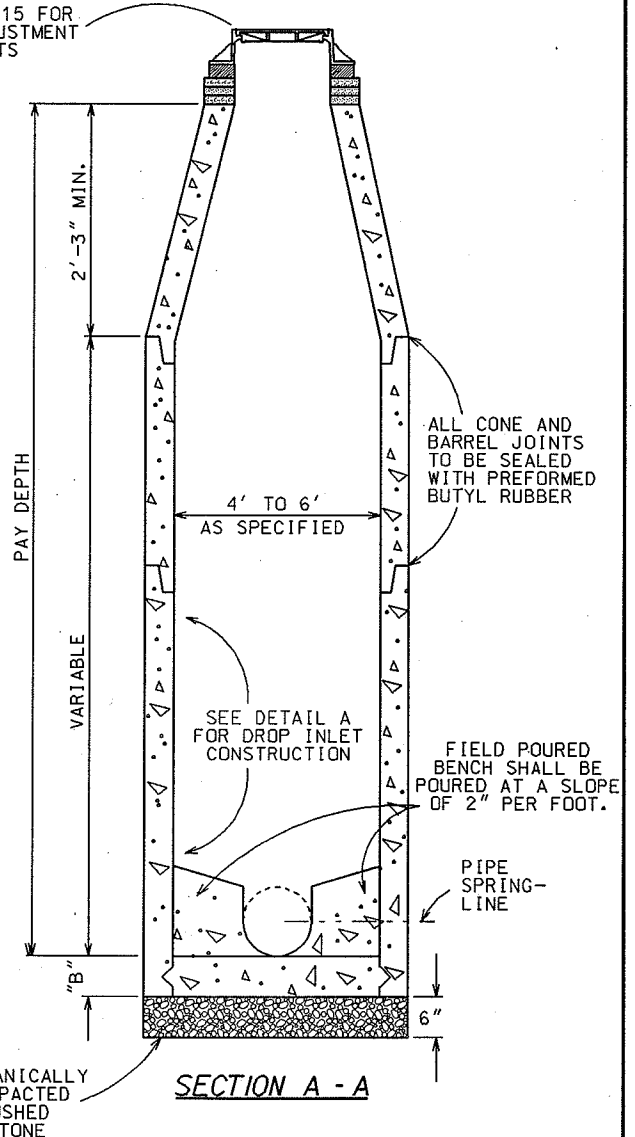


DETAIL A

SHOWING DROP INLET CONSTRUCTION FOR SANITARY SEWER MAINS & LATERALS



SEE DETAIL 5.7.15 FOR CASTING AND ADJUSTMENT REQUIREMENTS



NOTES:

- 1) PRECAST S.A.S. SECTIONS SHALL BE CONSTRUCTED IN ACCORDANCE WITH ASTM C-478.
- 2) THICKNESS OF BASE, "B":
6" MIN. FOR 4' DIAMETER SAS
8" MIN. FOR 5' AND 6' DIAMETER SAS
- 3) FOR CASTING DESIGNATION REFER TO STANDARD DETAIL DRAWING 5.7.16
- 4) CENTERED (CONCENTRIC) CONE SHALL BE INSTALLED UNLESS OTHERWISE DIRECTED.
- 5) DROP INLET SHALL BE BUILT FOR ALL SEWER MAINS AND LATERALS WHEN "E" IS GREATER THAN 24". "E" SHOULD BE MEASURED FROM INVERT OF INCOMING PIPE TO THE SPRINGLINE OF THE OUTGOING SEWER. INSIDE DROP PER STANDARD DETAIL DRAWING 5.7.30 MAY BE INSTALLED FOR 4" AND 6" SERVICE CONNECTIONS WHERE OUTSIDE DROP INLET CONSTRUCTION IS INFEASIBLE. ENGINEER SHALL APPROVE INSIDE DROP INLET PRIOR TO INSTALLATION.
- 6) FLEXIBLE PIPE TO SAS CONNECTOR REQUIRED PER STANDARD DETAIL DRAWING 5.7.31
- 7) ALL BENCHES TO BE FIELD POURED CONCRETE WITH SMOOTH TROWEL FINISH. PRECAST BENCHES ONLY PERMITTED WITH PRIOR APPROVAL OF ENGINEER IN WRITING.
- 8) ALL JOINTS BETWEEN RINGS SHALL BE SEALED WITH $\frac{3}{8}$ " OF AIR-ENTRAINED TYPE M OR S MORTAR. THE OUTSIDE SURFACE OF THE ADJUSTING RINGS SHALL BE SEALED WITH A $\frac{1}{2}$ " THICK AIR-ENTRAINED MORTAR TYPE M OR S SEAL. THE METHOD USED FOR SEALING THE OUTSIDE SURFACE SHALL BE COMPATIBLE WITH THAT USED TO SEAL JOINTS BETWEEN THE RINGS.

2004

CITY OF MADISON ENGINEERING DIVISION
SANITARY SEWER PRECAST SAS
STANDARD DETAIL DRAWING 5.7.2