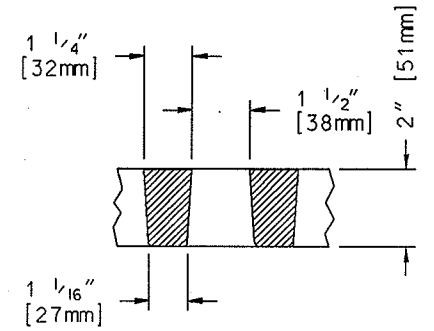
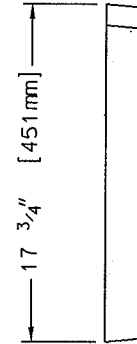
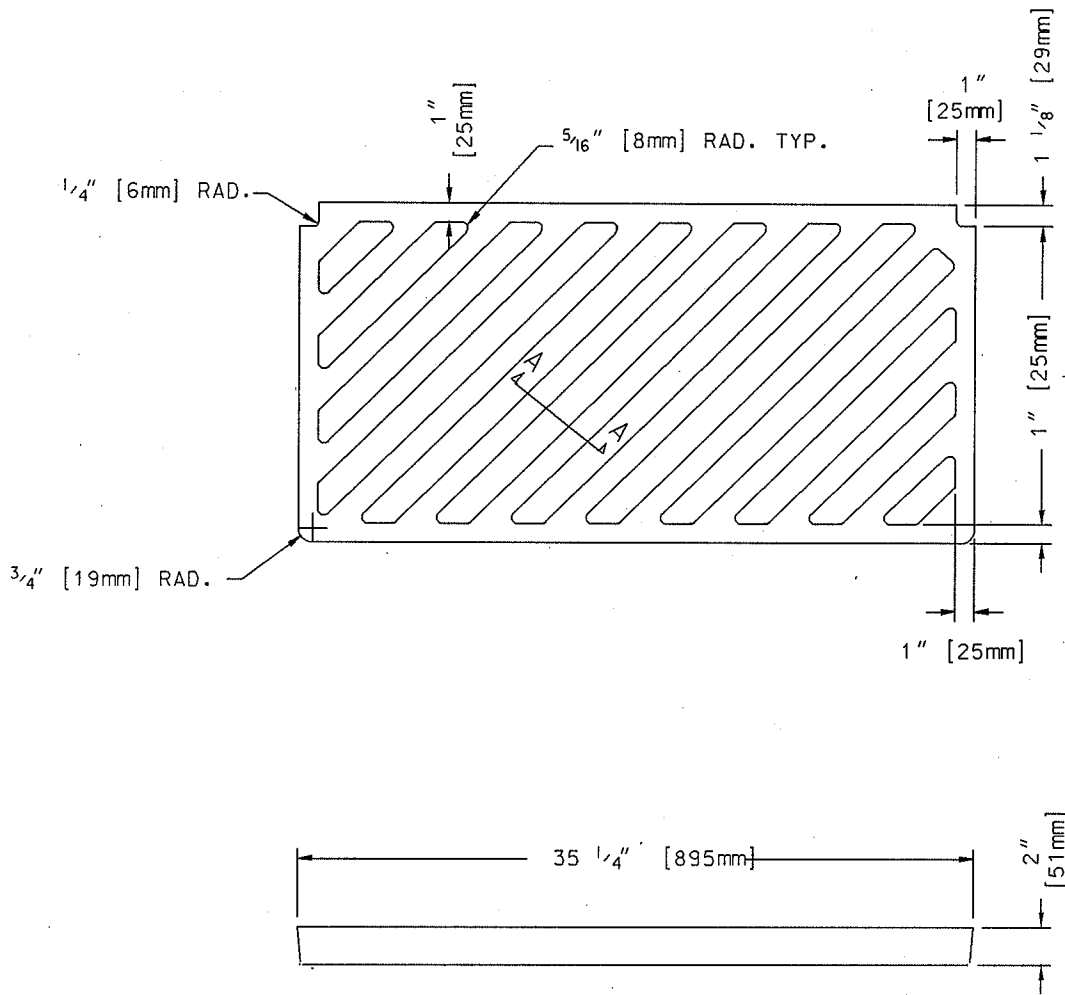


5.7.20



SECTION A-A

FREE OPEN AREA: 282 SQUARE INCHES  
 NOTE: ALL DIMENSIONS ARE SHOWN IN ENGLISH AND [METRIC].  
 MATERIAL: CAST GRAY IRON ASTM A-48, CLASS 35B  
 FINISH: NO PAINT  
 WEIGHT: 172#

2004

CITY OF MADISON  
 ENGINEERING DIVISION

R-3067  
 TYPE R GRATE

STANDARD DETAIL DRAWING 5.7.20