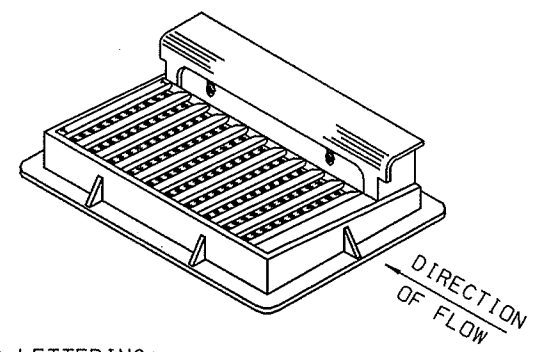
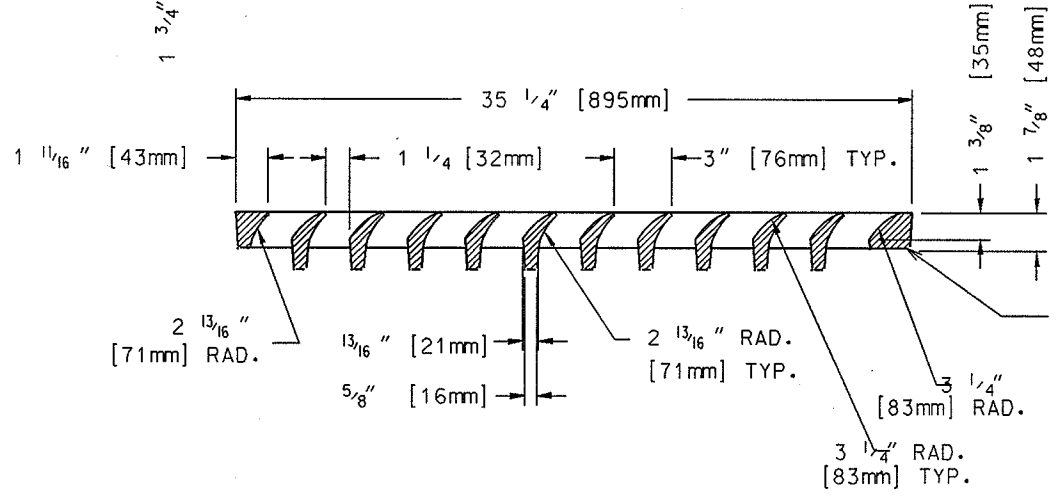
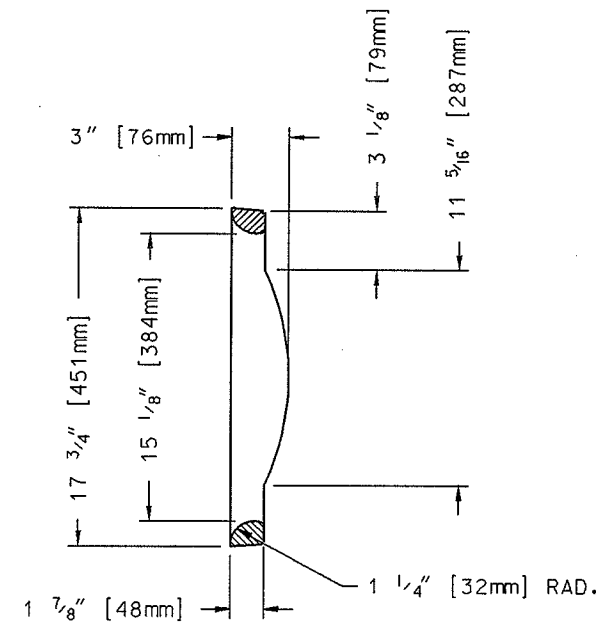
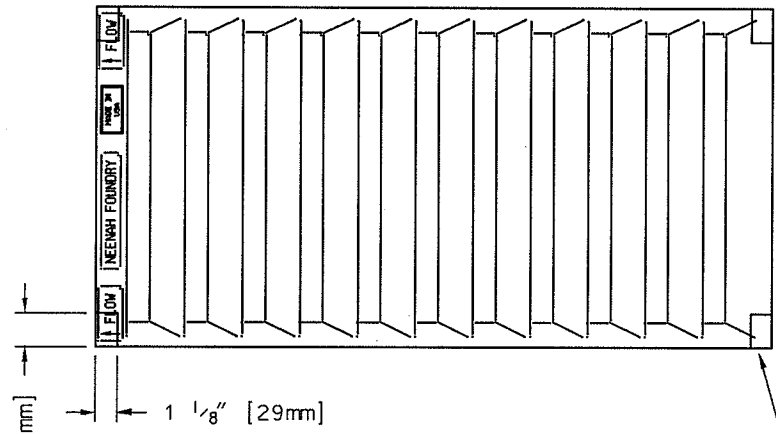


5.7.21



RECESSED LETTERING:  
COMPONENT NO. AND  
HEAT DATE

FREE OPEN AREA = 347 SQUARE INCHES  
MATERIAL: CAST GRAY IRON ASTM A-48, CLASS 35B  
FINISH: NO PAINT  
WEIGHT: 132#

NOTE: GRATE IS REVERSIBLE. R-3067-V  
(LEFT FLOW) IS SHOWN IN DETAILS

2004

CITY OF MADISON  
ENGINEERING DIVISION

R-3067  
TYPE V GRATE (VANE)

STANDARD DETAIL DRAWING 5.7.21