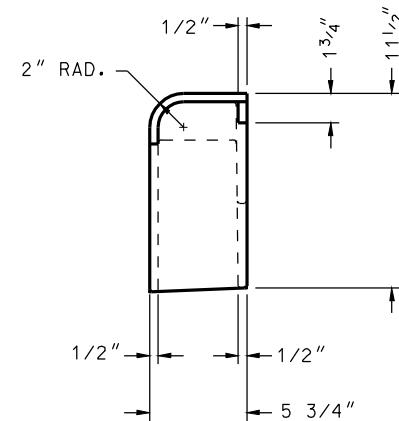
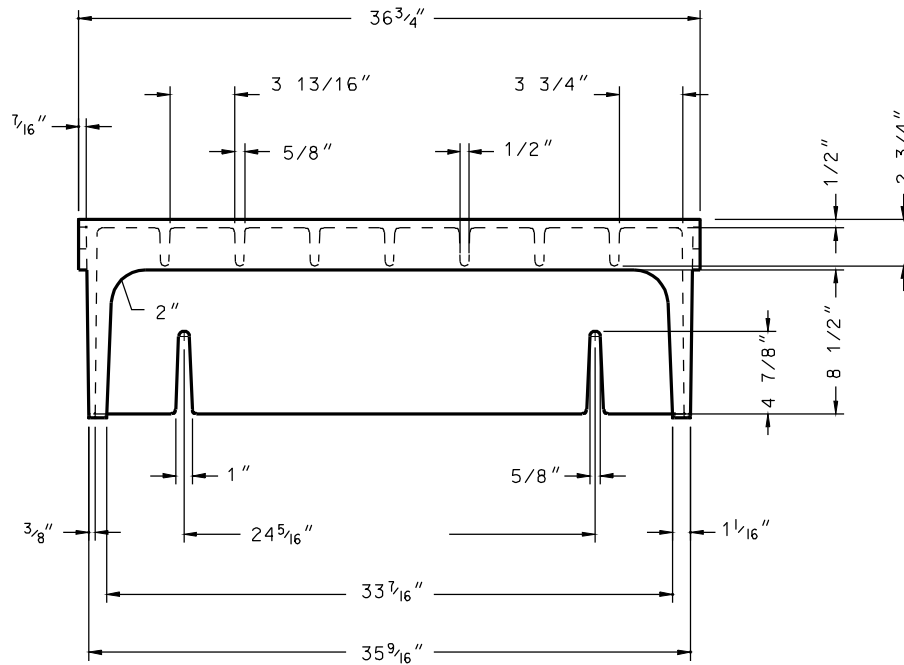
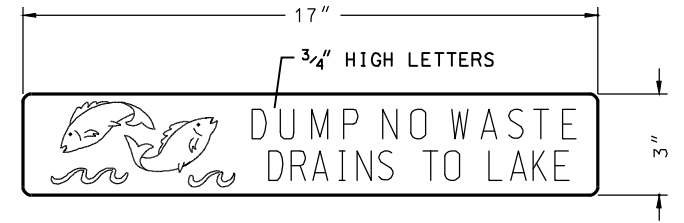


TYPE "C" CHECKERED TOP DESIGN

3/4" HIGH RAISED LETTERS
FLUSH W/ TOP SURFACE



NEENAH FOUNDRY PRODUCT NUMBER 3067 7004
 MATERIAL: CAST GRAY IRON ASTM A-48, CLASS 35B
 FINISH: NO PAINT
 WEIGHT: 126#

CITY OF MADISON
 ENGINEERING DIVISION

R-3067-7004

STANDARD DETAIL DRAWING 5.7.22

2005

5.7.22