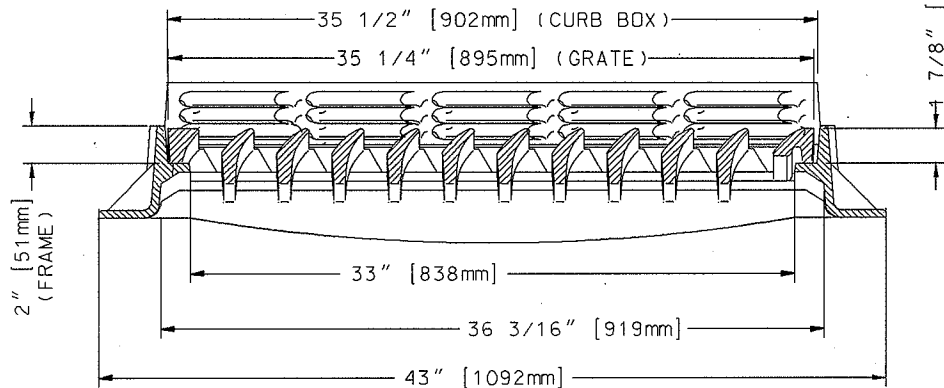
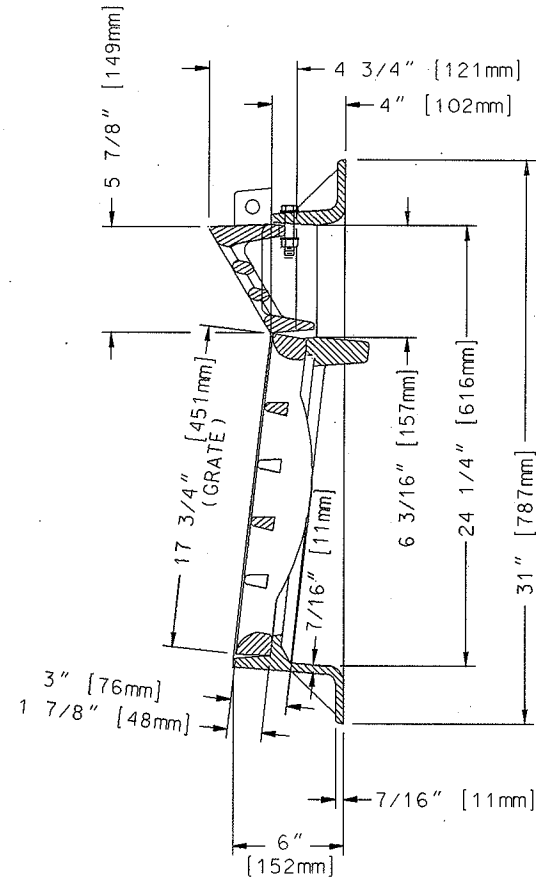
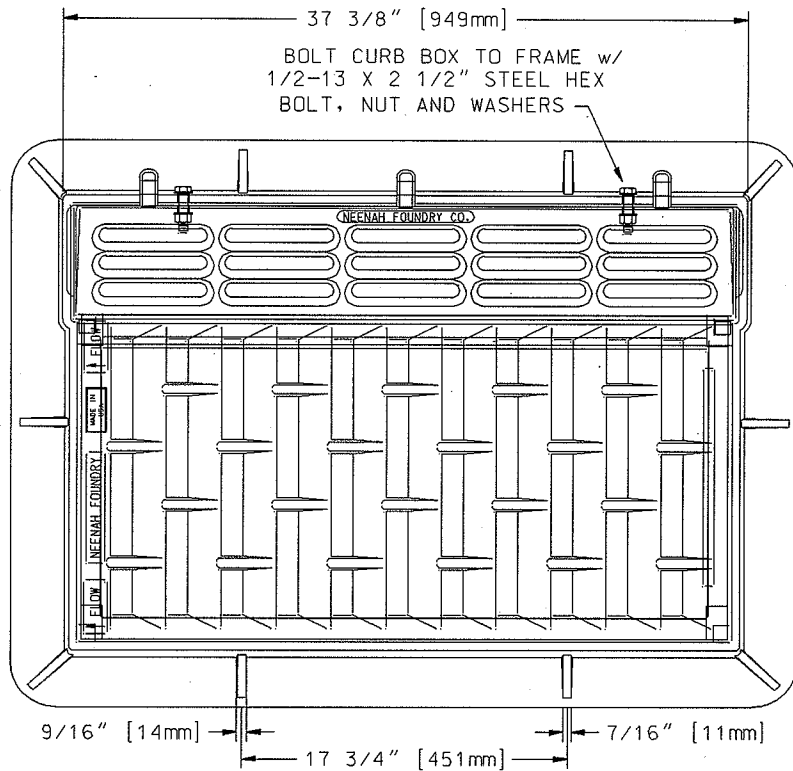


5.7.24



SHOWN WITH TYPE L GRATE (STAGGERED VANE).
SPECIFIED AS R-3067-L-CDS. OMIT "L" FOR TYPE R GRATE.

NOTE: ALL DIMENSIONS SHOWN ARE IN ENGLISH AND [METRIC].
COMPONENT NO'S: FRAME 3067-2000; GRATE 3067-3000; CURB BOX 3067-7001
MATERIAL: CAST GRAY IRON ASTM A-48, CLASS 35B
FINISH: NO PAINT
WEIGHT: FRAME 184#; GRATE 131#; CURB BOX 68#

2004

CITY OF MADISON
ENGINEERING DIVISION

R-3067 CDS
CURB BOX

STANDARD DETAIL DRAWING 5.7.24