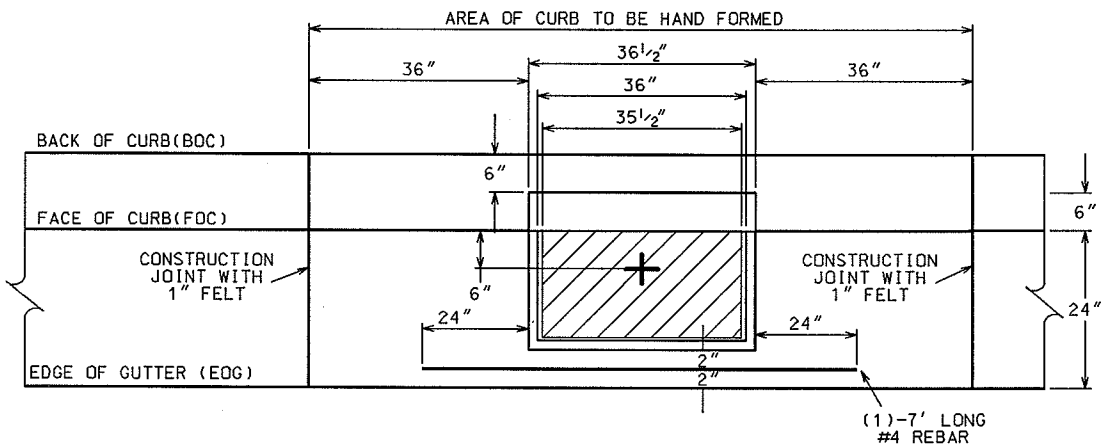
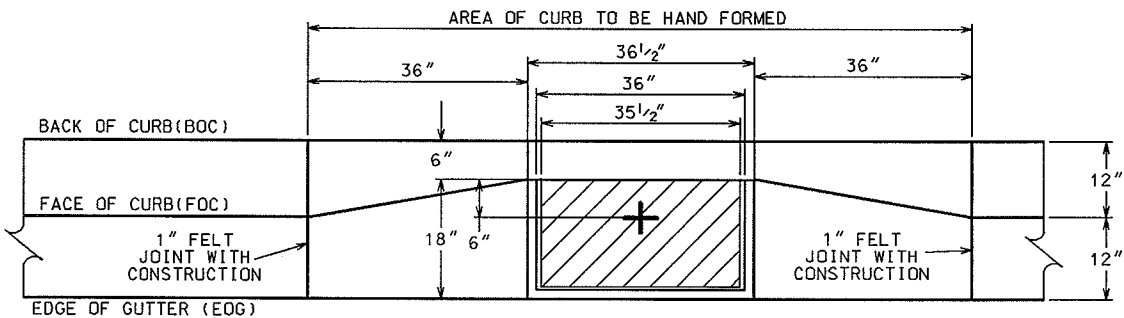


TYPE "A" CURB AND GUTTER
PLAN VIEW



TYPE "B" CURB AND GUTTER
PLAN VIEW



TYPE "H" CURB AND GUTTER
PLAN VIEW

+ = CENTER OF STRUCTURE
(STATION AND OFFSET
AS INDICATED ON THE
STORM SCHEDULE)

2004

CITY OF MADISON
ENGINEERING DIVISION

**H INLET LOCATIONS
IN DIFFERENT
CURB TYPES**

DRAWING NOT TO SCALE

STANDARD DETAIL DRAWING 5.7.27