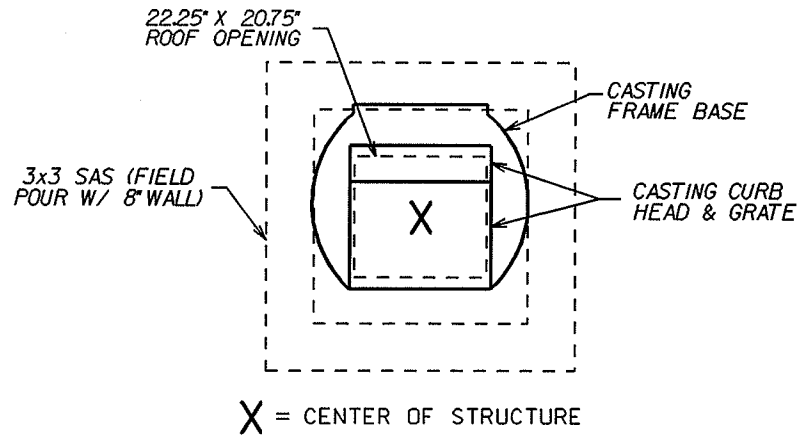
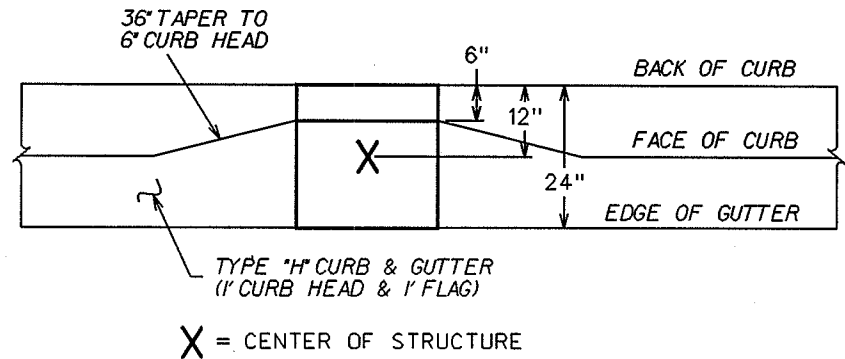


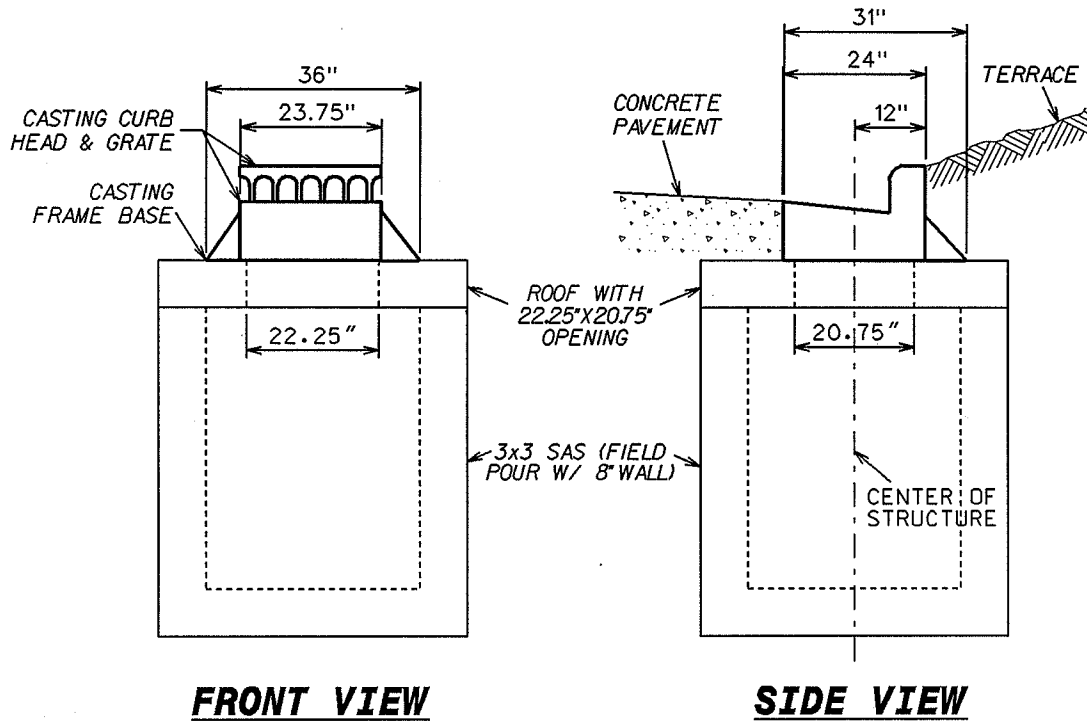
5.7.28



TOP VIEW
STRUCTURE WITH CASTING



TOP VIEW
CASTING WITH CURB & GUTTER



FRONT VIEW

SIDE VIEW

NOTES:

- (1) TYPE "H" CURB & GUTTER TYPICALLY USED IN MEDIAN DESIGN & CONSTRUCTION.
- (2) NEENAH CASTING NUMBERS: INLETS AT LOW POINTS [R-3278-A] INLETS ON GRADE [R-3278-AL]
- (3) CONSTRUCT SEWER ACCESS STRUCTURE (SAS) PER STANDARD DETAIL DRAWING 5.4.11
- (4) CONSTRUCT CURB TAPER PER STANDARD DETAIL DRAWING 5.7.27

2004

CITY OF MADISON
ENGINEERING DIVISION

INLETS IN
TYPE "H" CURB & GUTTER
WITH CONCRETE PAVEMENT

STANDARD DETAIL DRAWING 5.7.28