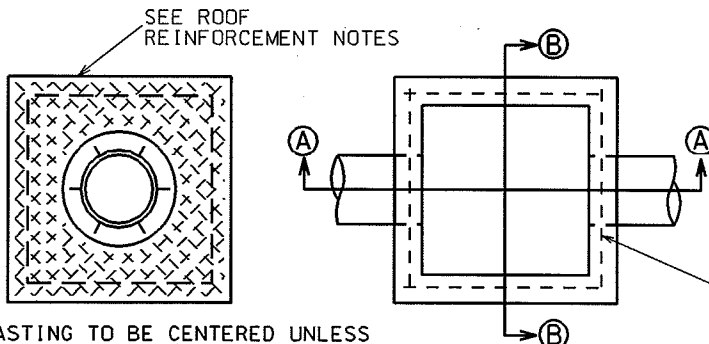


# SEWER ACCESS STRUCTURES

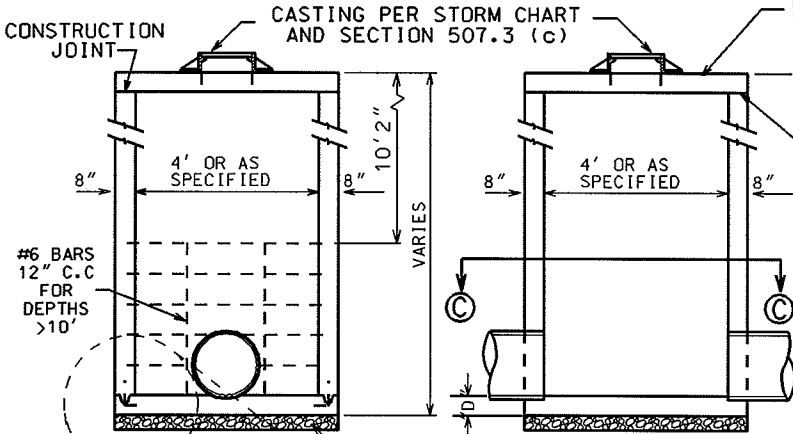
## ROOF REINFORCEMENT NOTES:

- 1) EPOXY COATED REBARS SHALL BE USED IN ALL CASES
- 2) #4 BARS PLACED ON 6" CENTERS FOR 3'X3', 3'X4', 4'X4', 4'X5', 5'X5' STRUCTURES
- 3) #6 BARS PLACED ON CENTERS FOR 6'X5', 6'X6' AND LARGER STRUCTURES
- 4) 3" CLEAR SHALL BE MAINTAINED IN ALL CASES



NOTE: CASTING TO BE CENTERED UNLESS NOTED IN STORM STRUCTURE TABLE

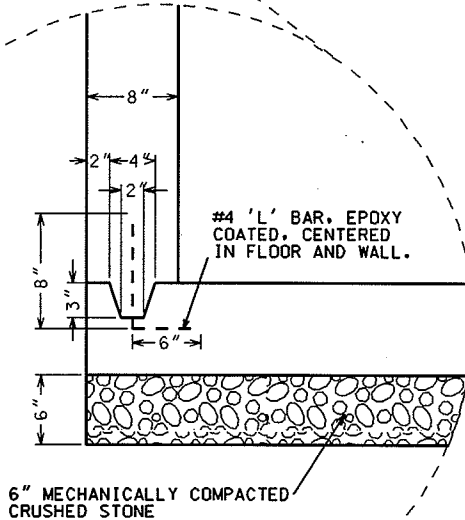
### TOP VIEW



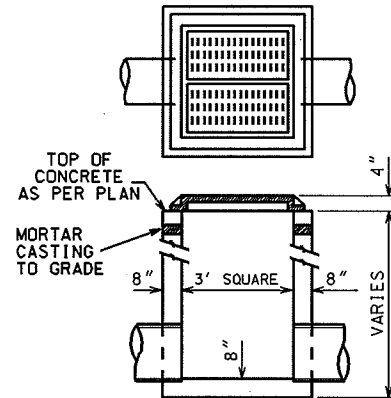
### SECTION A-A

NOTE: THICKNESS OF FLOOR (DIMENSION "D") TO BE 8" UP TO 10' DEPTHS AND 10" FOR GREATER DEPTHS

### SECTION B-B



## 3'X3' CATCH BASIN



PRECAST REINFORCED CONCRETE STRUCTURES MAY BE USED IF APPROVED ACCORDING TO ARTICLES 106.3 AND 507.3 (b) OF THE STANDARD SPECIFICATIONS

NEENAH FOUNDRY CASTINGS AS LISTED OR EQUAL. ALL CASTING WITH FLANGE AT BASE.

- LIGHT DUTY
- R-1879-A10G FOR OPEN GRATE
  - R-1879-A10L FOR SOLID LID
- HEAVY DUTY
- R-1878-A10G FOR OPEN GRATE
  - R-1878-A10L FOR SOLID LID

2004

CITY OF MADISON  
ENGINEERING DIVISION

STORM SEWER SAS  
AND CATCH BASINS

STANDARD DETAIL DRAWING 5.7.3