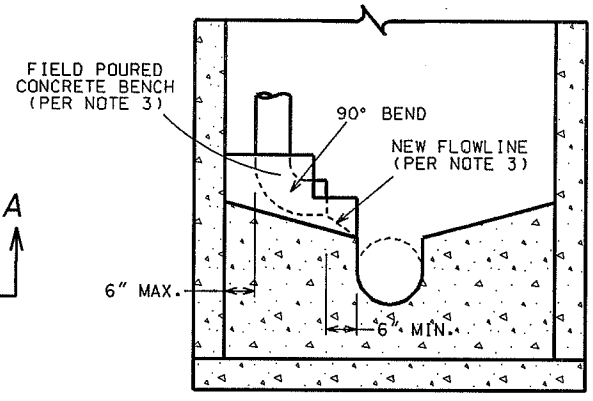
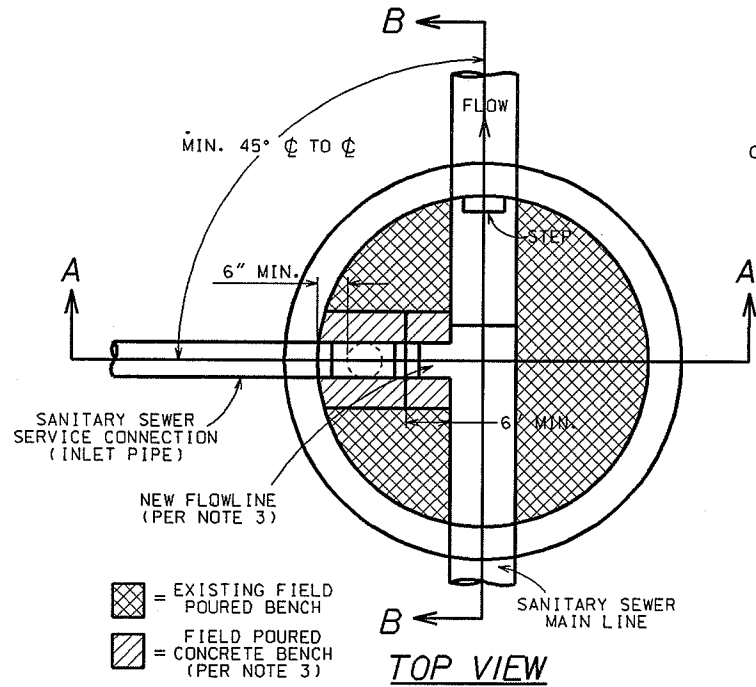
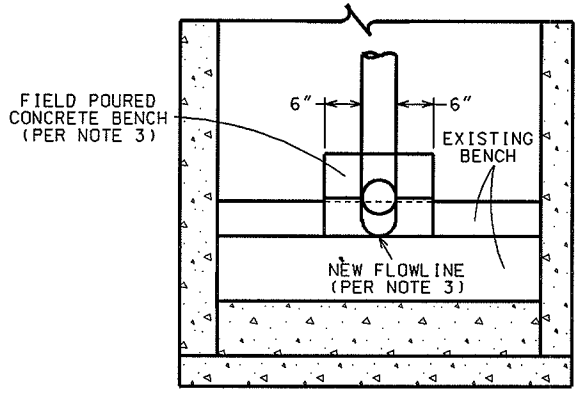
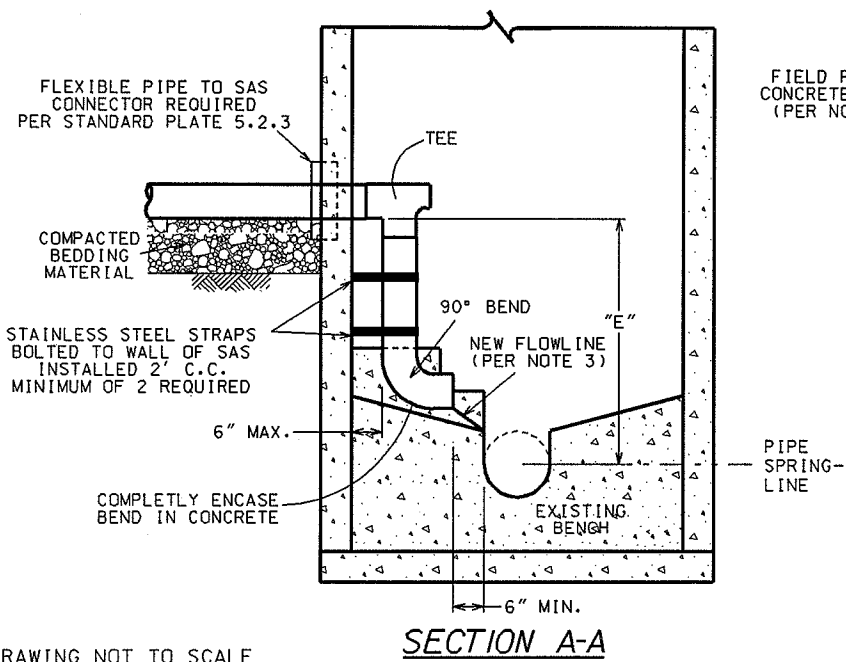


5.7.30



SIDE VIEW
FIELD POURED CONCRETE BENCH



SECTION B-B

NOTES:

1) INSIDE DROP INLETS SHALL BE USED ONLY WHERE SITE CONDITIONS MAKE AN OUTSIDE DROP CONNECTION INFEASIBLE TO CONSTRUCT. THIS DETERMINATION SHALL BE MADE BY THE ENGINEER IN THE FIELD. THE CONTRACTOR SHALL OBTAIN APPROVAL FOR INSTALLATION OF THE INSIDE DROP INLET FROM THE ENGINEER PRIOR TO CONSTRUCTION.

2) DROP INLET SHALL BE BUILT WHEN "E" IS GREATER THEN 24" AND THE INLET PIPE DIAMETER IS 6" OR LESS. INLET PIPES GREATER THAN 6" SHALL HAVE AN OUTSIDE DROP CONNECTION PER STANDARD DETAIL DRAWING 5.7.2 "E" SHALL BE MEASURED FROM THE INVERT OF THE INCOMING PIPE TO THE SPRINGLINE OF THE OUTGOING SEWER.

3) ENCASE INLET PIPE IN CONCRETE FROM THE EXISTING BENCH TO FIRST JOINT ABOVE THE 90° BEND. FORM NEW SMOOTH FLOWLINE FROM PIPE END TO MAIN CHANNEL. ROUGH BRUSH FINISH ALL OTHER SURFACES OF THE NEW CONCRETE ENCASEMENT.

DRAWING NOT TO SCALE

2004

CITY OF MADISON
ENGINEERING DIVISION

**INSIDE DROP FOR
SANITARY LATERAL**

STANDARD DETAIL DRAWING 5.7.30