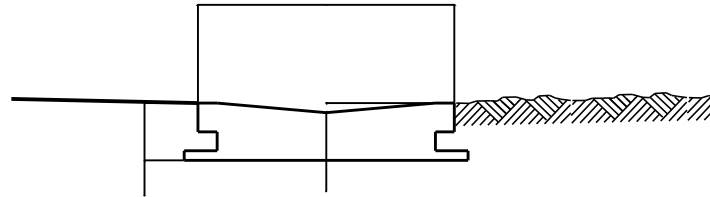
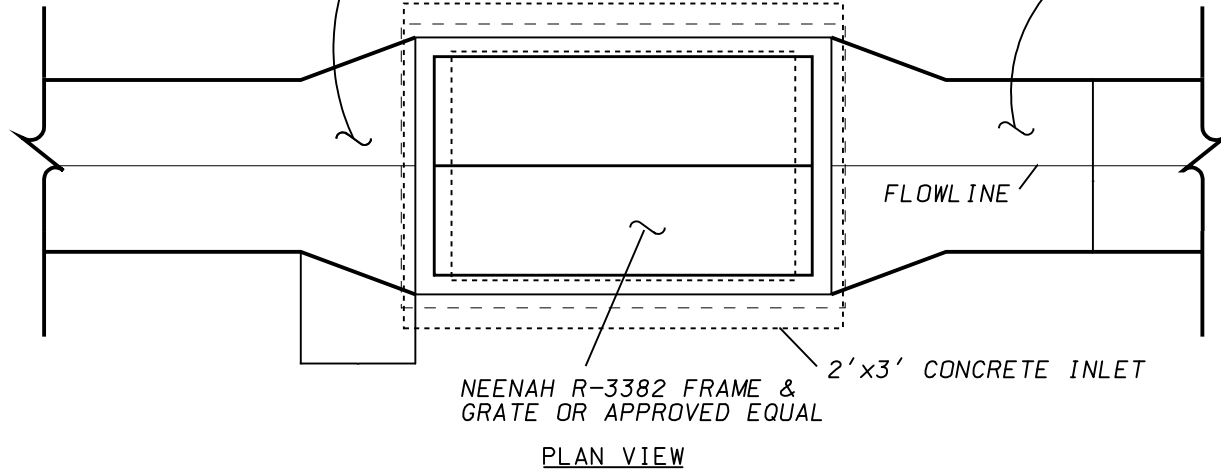


GUTTER INLET DETAIL DRAWING

TAPER TYPICAL GUTTER SECTION OVER
1' ON EITHER SIDE OF INLET; MAINTAIN
1" FLOWLINE DEPRESSION AND MATCH
INLET CROSS SECTION AT INLET INTERFACE

TYPICAL ALLEY
GUTTER SECTION



DRAWING NOT TO SCALE

2005

CITY OF MADISON
ENGINEERING DIVISION

H INLET
ALLEY CURB

STANDARD DETAIL DRAWING 5.7.33

5.7.33