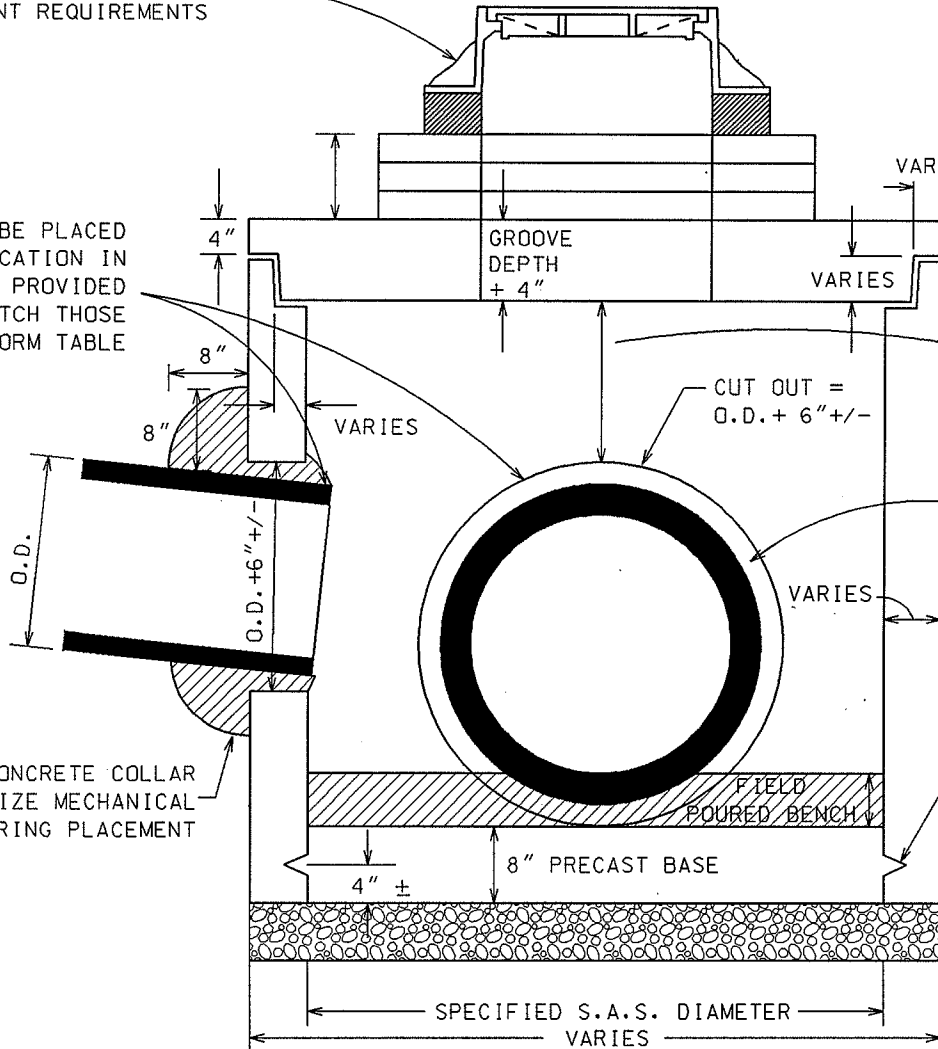


5.7.5

SEE DETAIL 5.7.15
FOR CASTING AND
ADJUSTMENT REQUIREMENTS

PIPE MAY BE PLACED
AT ANY LOCATION IN
CUT OUT PROVIDED
INVERTS MATCH THOSE
IN THE STORM TABLE



CONCRETE COLLAR
SHALL UTILIZE MECHANICAL
VIBRATOR DURING PLACEMENT

JOINT WILL BE SEALED WITH CONSEAL
(CS - 102 OR CS - 202) DEPENDING ON
FIELD TEMPERATURES

DIMENSION FROM BOTTOM OF GROOVE
TO TOP OF CUT OUT SHALL BE SUCH THAT
THE BOTTOM OF THE GROOVE IS INTACT.

CONCRETE COLLAR REQUIRED AROUND
ALL PIPE/STRUCTURE CONNECTIONS.
CONTRACTOR WILL USE A MECHANICAL
VIBRATOR DURING CONSTRUCTION OF
THE FLOOR AND COLLAR.

CIRCUMFERENTIAL
ROUGH SCORED
NOTCH CENTERED
IN BASE

6" MECHANICALLY COMPACTED CRUSHED STONE

SPECIFIED S.A.S. DIAMETER
VARIES

2004

CITY OF MADISON
ENGINEERING DIVISION

STORM SEWER
PRECAST SAS
(THROUGH SECTION VIEW)

STANDARD DETAIL DRAWING 5.7.5