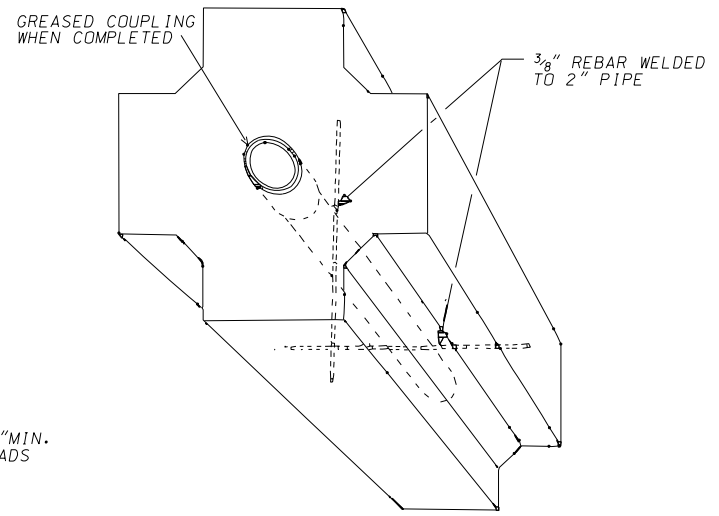
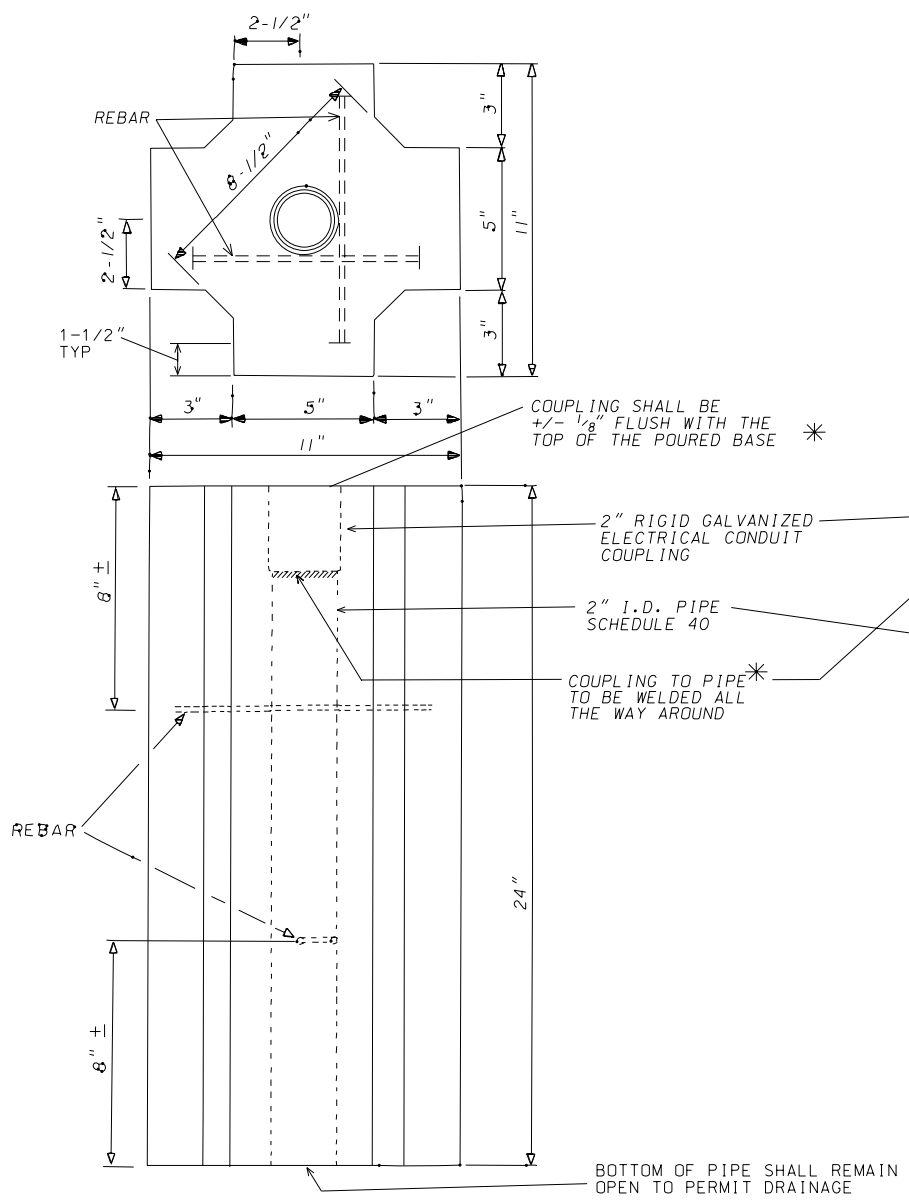


6.42



- \*NOTES:
1. CONCRETE 3200 PSI MINIMUM STRENGTH IN 28 DAYS
  2. BASE SHALL BE INSTALLED PLUMB, WITH TOP OF BASE FLUSH WITH FINISHED GRADE.

FEB 2005 CITY OF MADISON ENGINEERING DIVISION
<b>PRECAST SIGN POST          BASE DETAILS</b>
STANDARD DETAIL DRAWING # 6.42