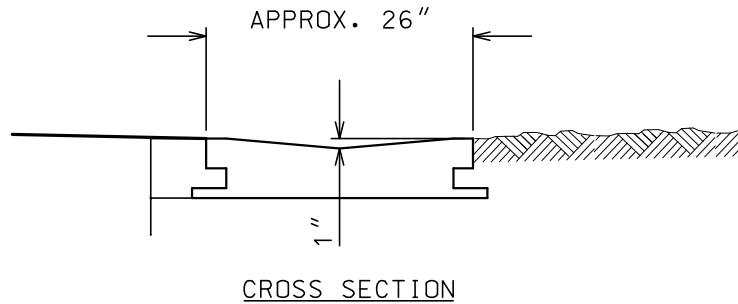
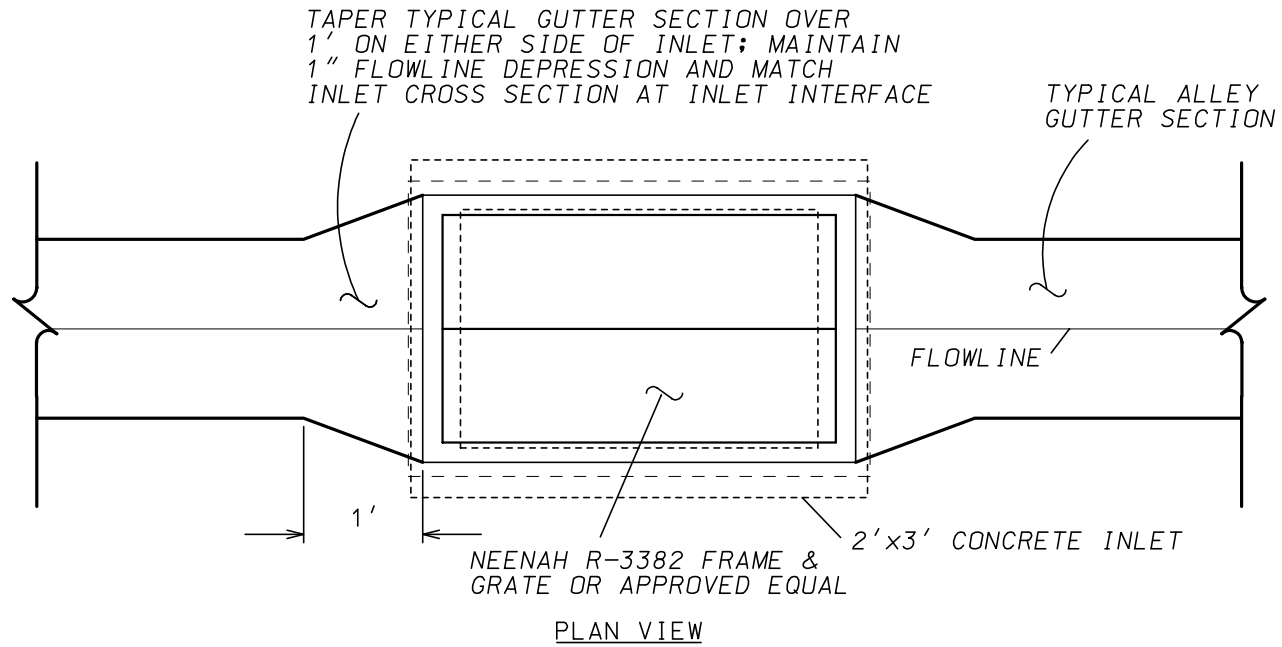


GUTTER INLET DETAIL DRAWING



DRAWING NOT TO SCALE

2005

CITY OF MADISON  
ENGINEERING DIVISION

H INLET  
ALLEY CURB

STANDARD DETAIL DRAWING 5.7.33