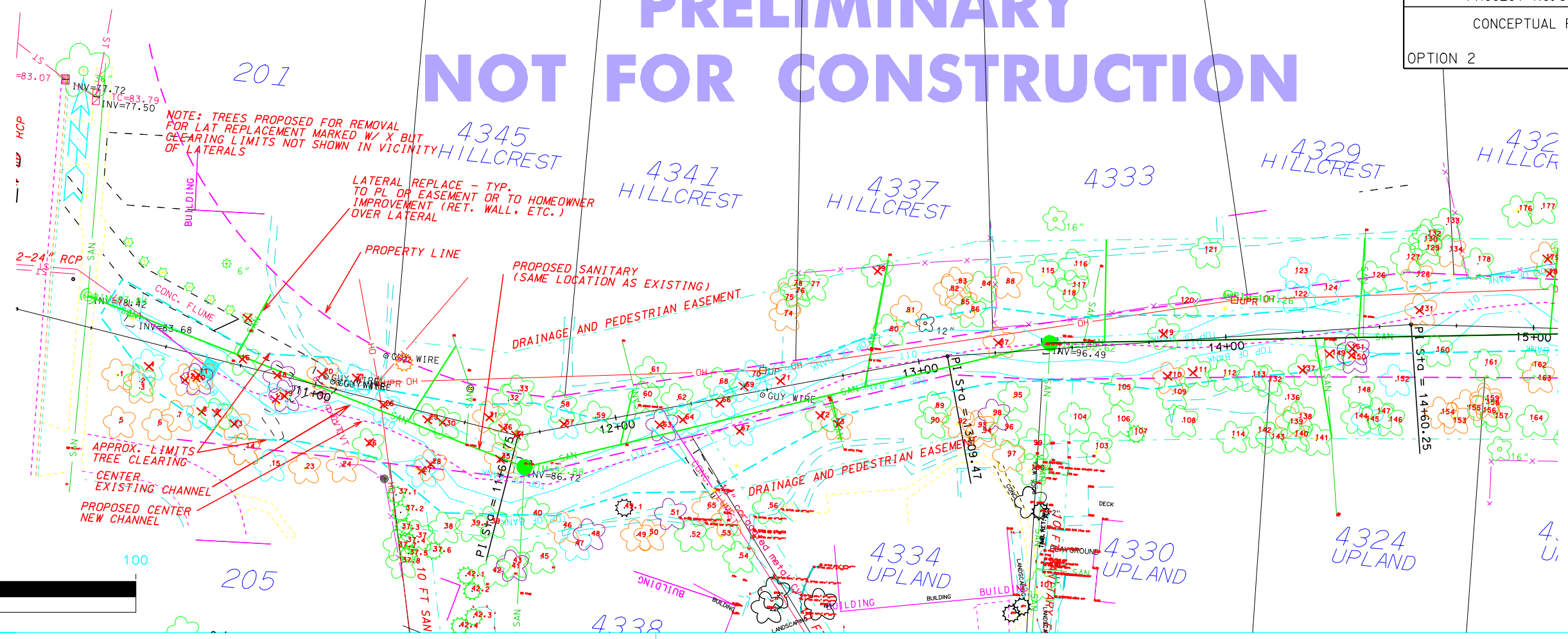


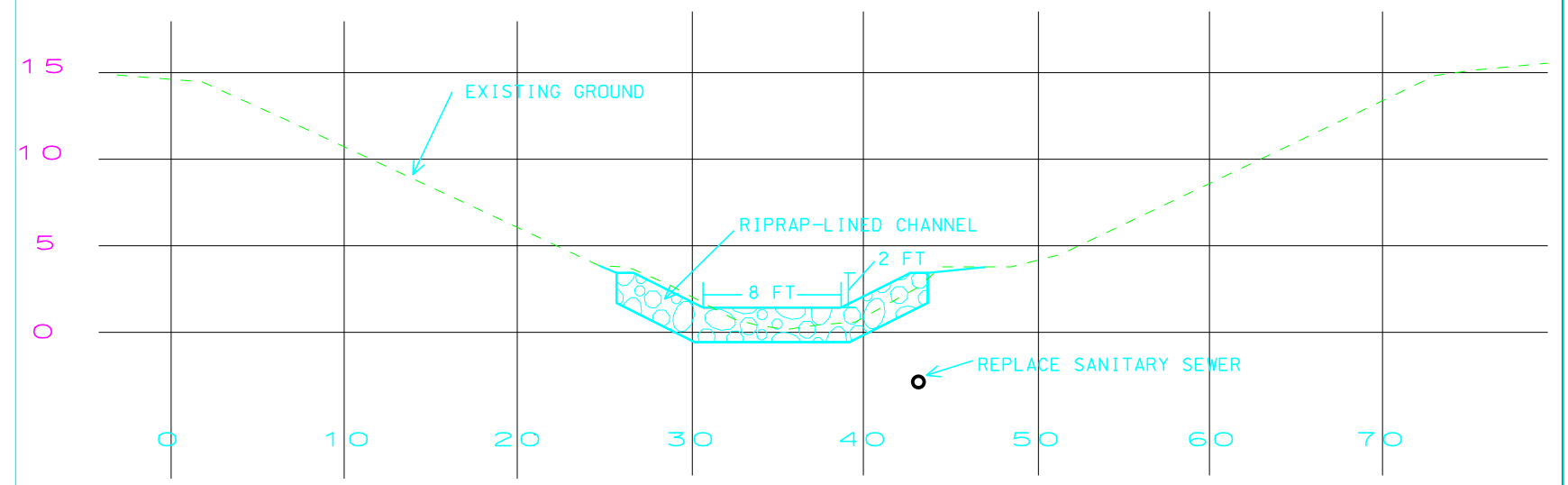
PRELIMINARY NOT FOR CONSTRUCTION

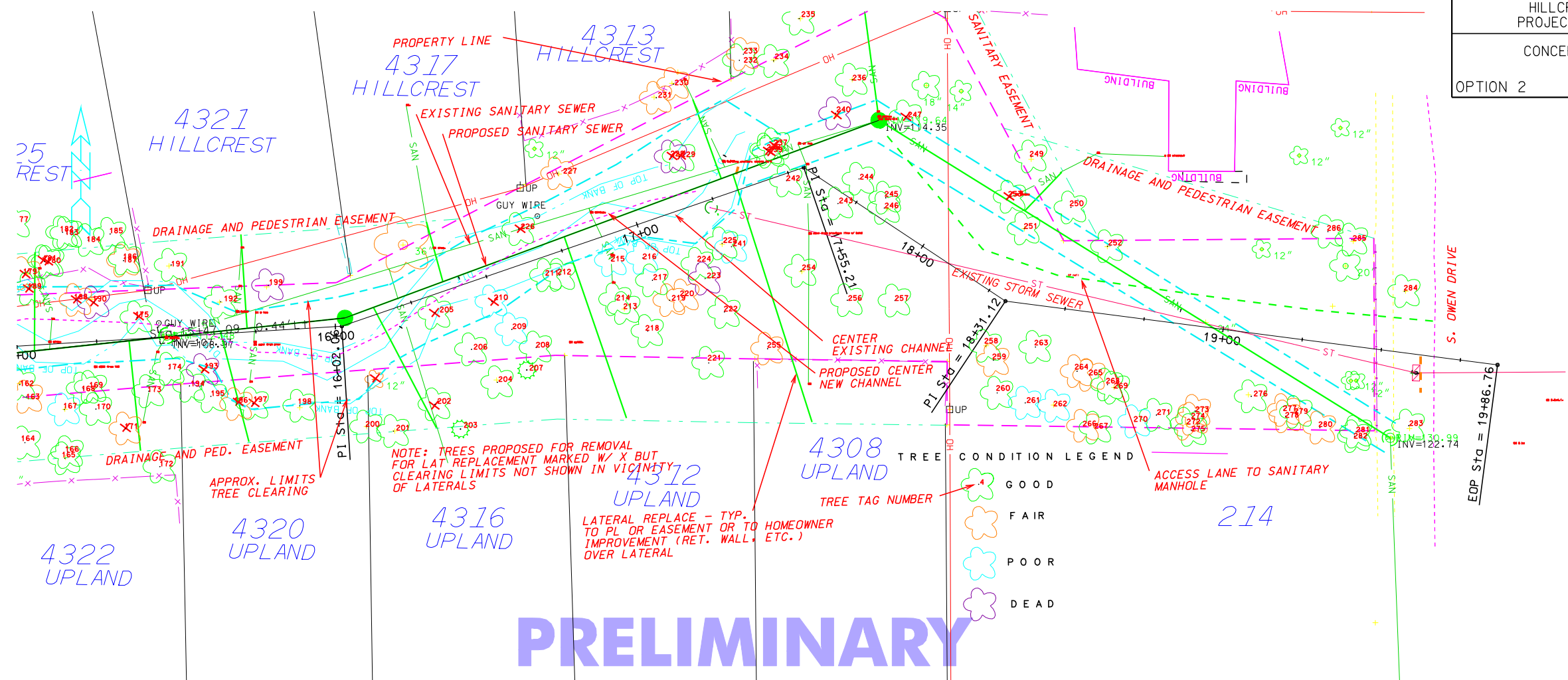


OPTION 2

- REPLACE SANITARY SEWER (LOWER EASTERN PORTION)
- REBUILD CHANNEL + LINE WITH RIPRAP
- REPLACE LATERALS WITHIN EASEMENT

TYPICAL SECTION





PRELIMINARY
NOT FOR CONSTRUCTION

PLOT SCALE:
PLOT NAME:
REV. DATE: