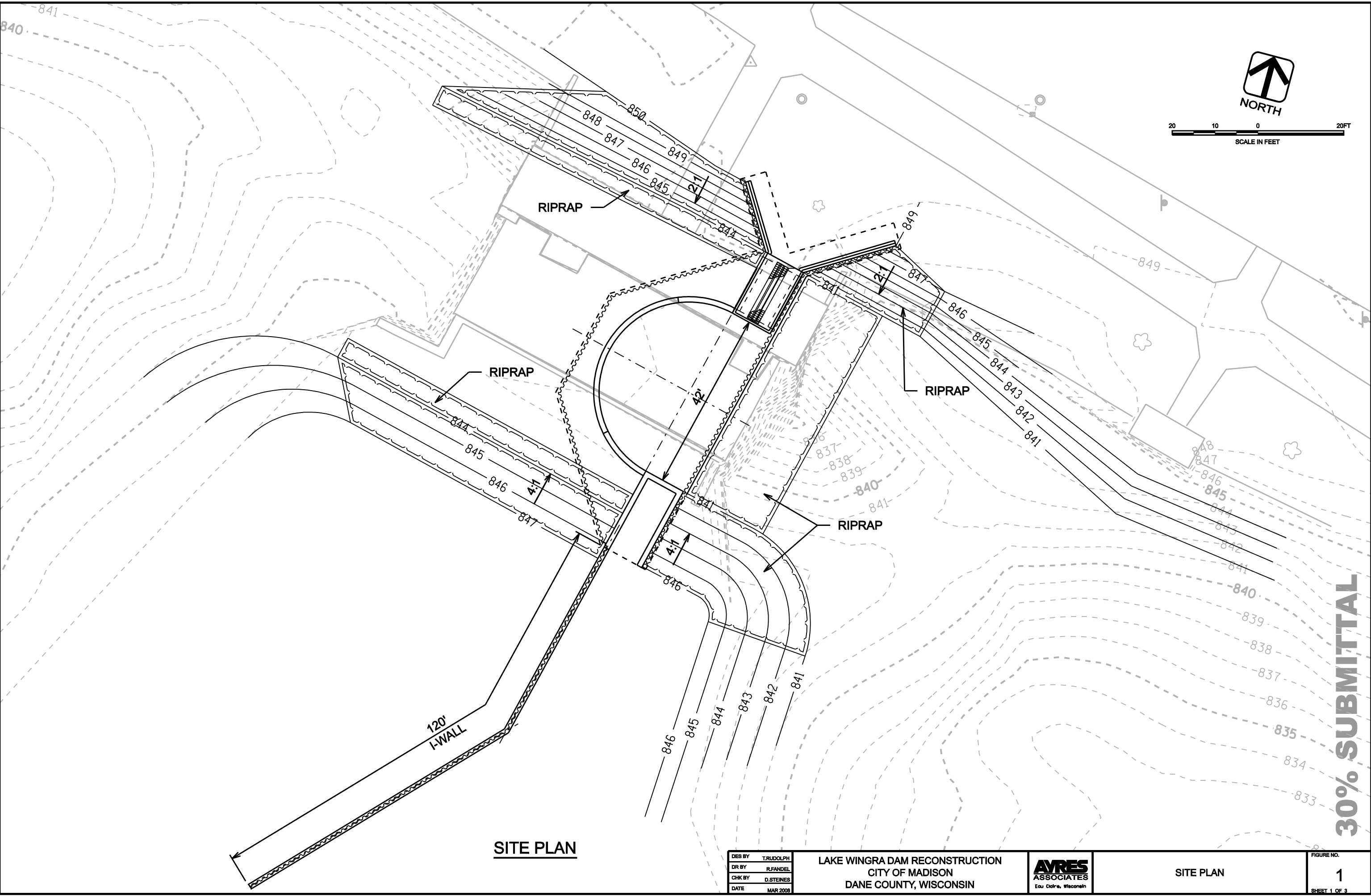


3/6/2008
I:\water\madison\wingradam\2008\1\workspaces\land\siteplan\dwg\1\DWG_SITEPLAN.DWG
I:\water\madison\wingradam\2008\1\workspaces\land\siteplan\dwg\1\DWG_SITEPLAN.DWG



SITE PLAN

DES BY	T. RUDOLPH
DR BY	R. FANDEL
CHK BY	D. STEINES
DATE	MAR 2008

LAKE WINGRA DAM RECONSTRUCTION
CITY OF MADISON
DANE COUNTY, WISCONSIN



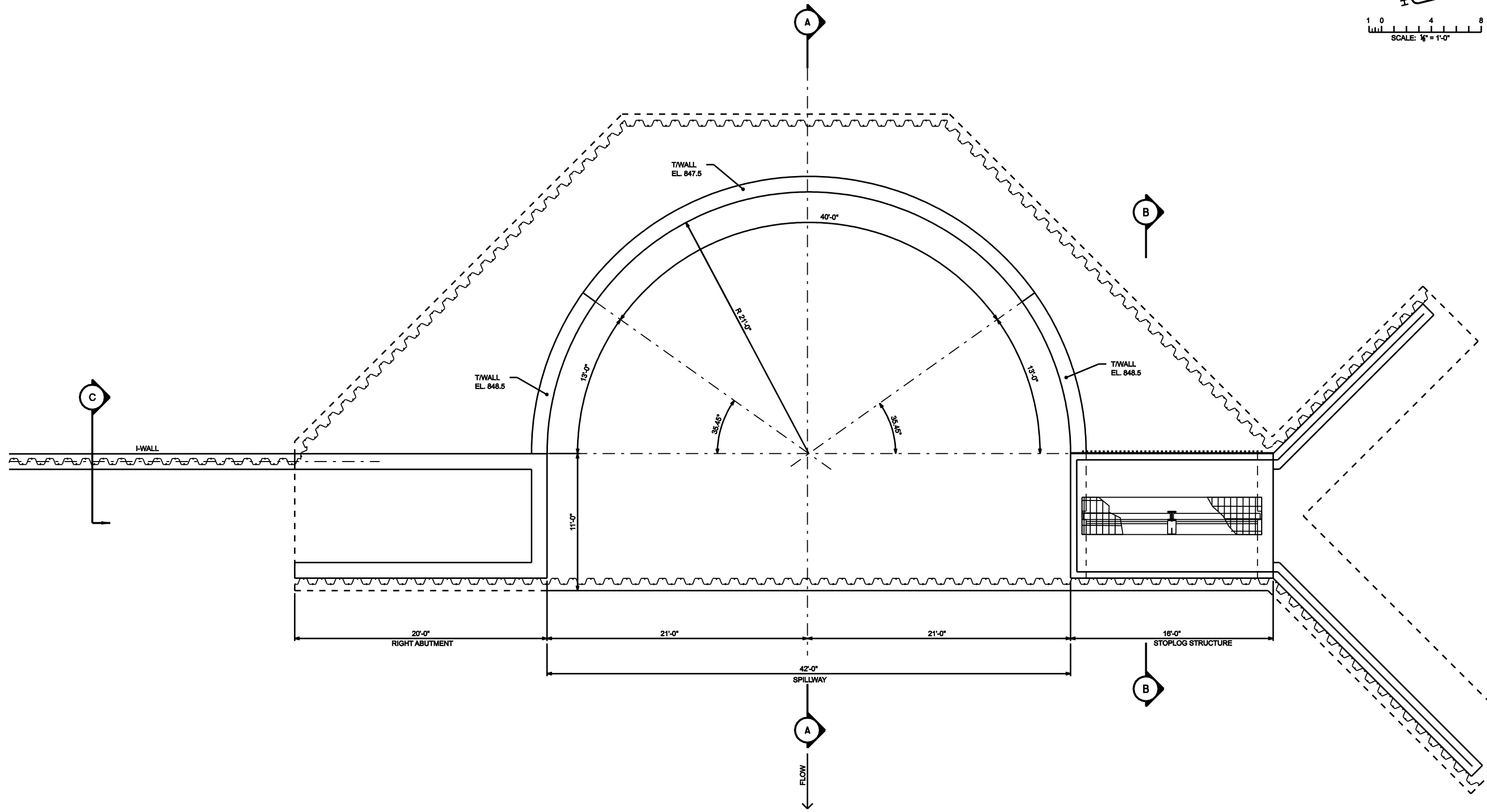
SITE PLAN

FIGURE NO.
1
SHEET 1 OF 3

30% SUBMITTAL



1 0 4 8
SCALE: 1/4" = 1'-0"



PLAN VIEW

3/6/2008
J:\WATER\02_MADISON\LAKE WINGRA DAM RECONSTRUCTION\DWG\PLAN.dwg
J:\water\madison\wingradam\66wg\02_Plan.dgn

DES BY	T.RUDOLPH
DR BY	R.FANDEL
CHK BY	D.STEINES
DATE	MAR 2008

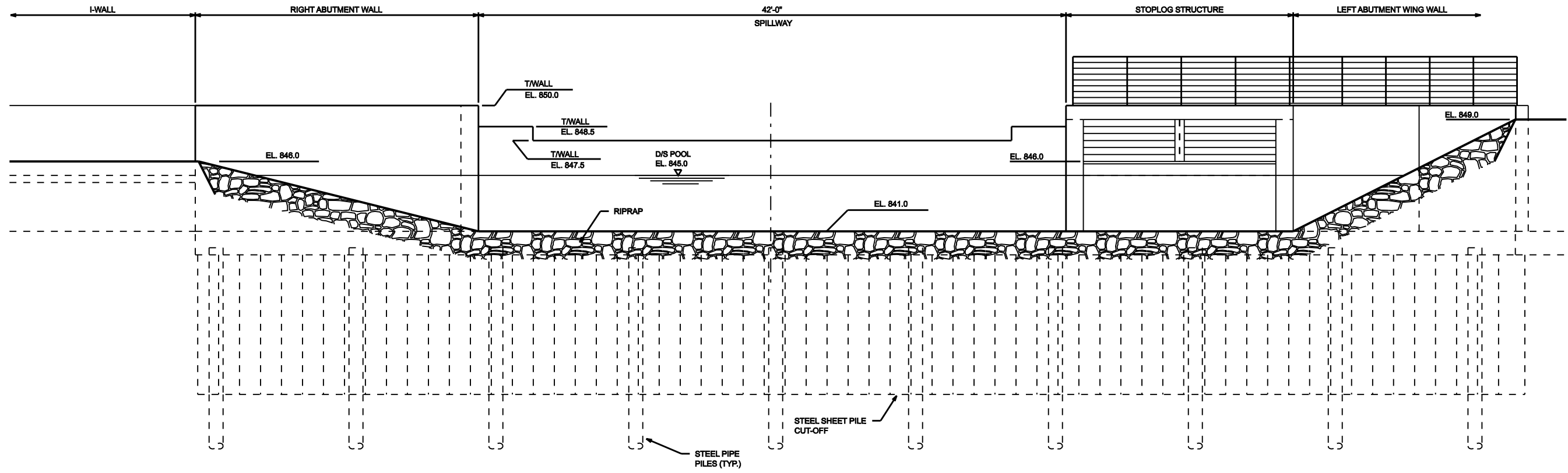
LAKE WINGRA DAM RECONSTRUCTION
CITY OF MADISON
DANE COUNTY, WISCONSIN



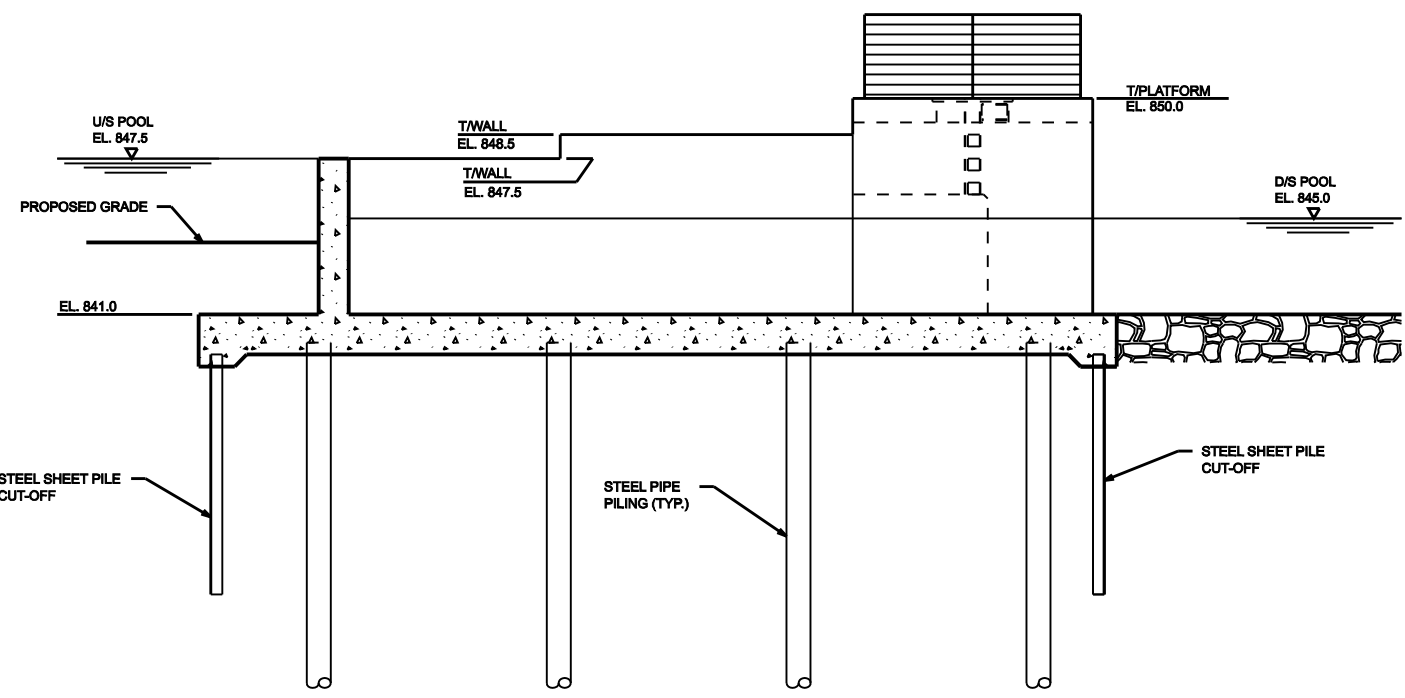
PLAN VIEW OF DAM

FIGURE NO.
2
SHEET 2 OF 3

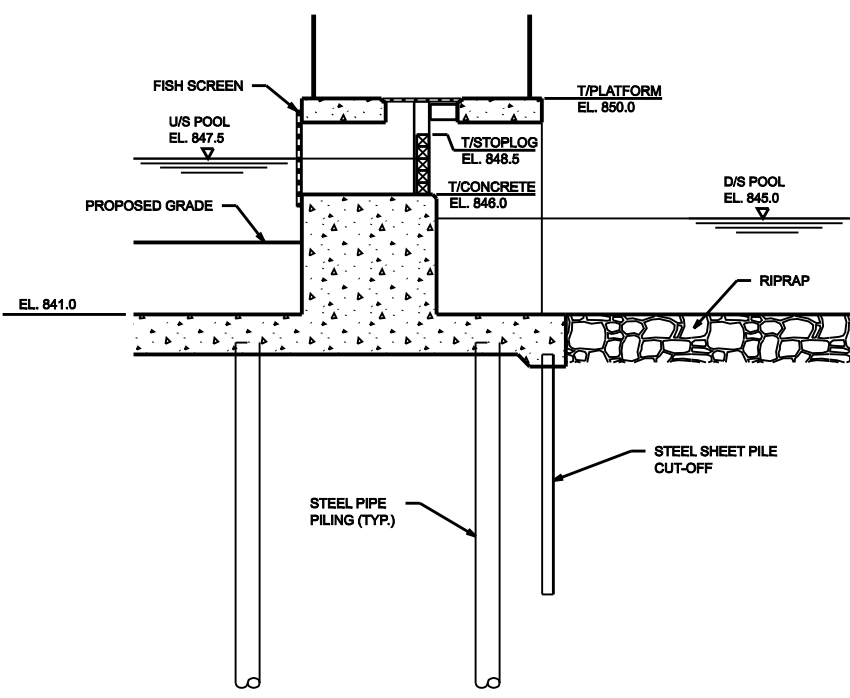
30% SUBMITTAL



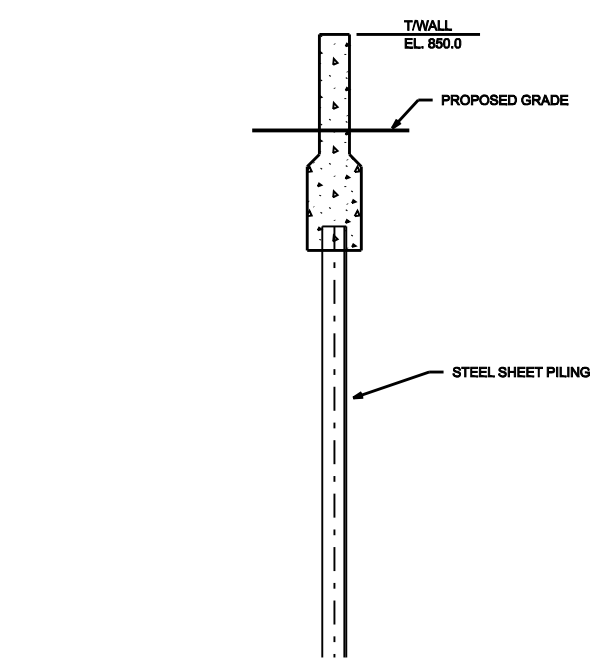
DOWNSTREAM ELEVATION



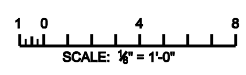
SECTION A-A THRU SPILLWAY



SECTION B-B THRU STOPLOG STRUCTURE



SECTION C-C THRU I-WALL



DES BY	T.RUDOLPH
DR BY	R.FANDEL
CHK BY	D.STEINES
DATE	MAR 2008

LAKE WINGRA DAM RECONSTRUCTION
CITY OF MADISON
DANE COUNTY, WISCONSIN



DOWNSTREAM ELEVATION & SECTIONS

FIGURE NO.
3
SHEET 3 OF 3

3/6/2008
 J:\WATER\02_MADISON\LAKE WINGRA DAM\DWG\01_SECTION\01_SECTION.DGN
 J:\WATER\02_MADISON\LAKE WINGRA DAM\DWG\01_SECTION\01_SECTION.DGN

30% SUBMITTAL