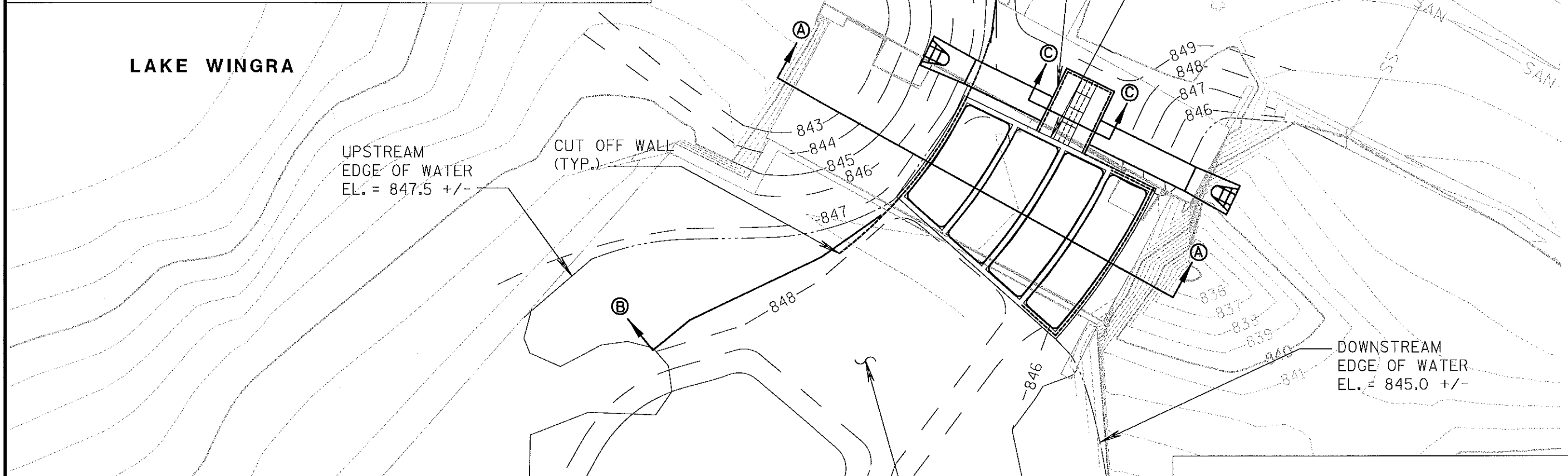


SECTION A-A



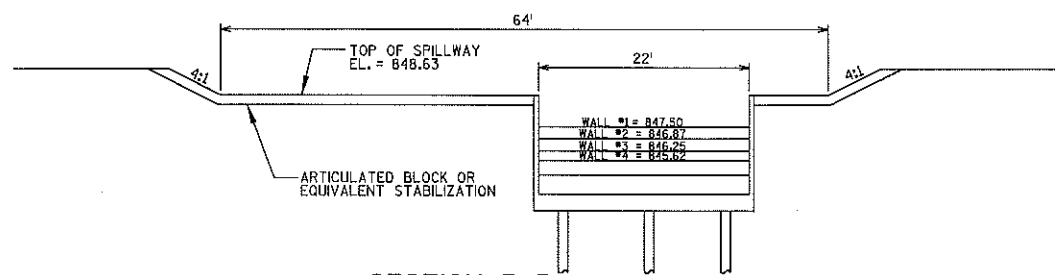
LAKE WINGRA

UPSTREAM
EDGE OF WATER
EL. = 847.5 +/-

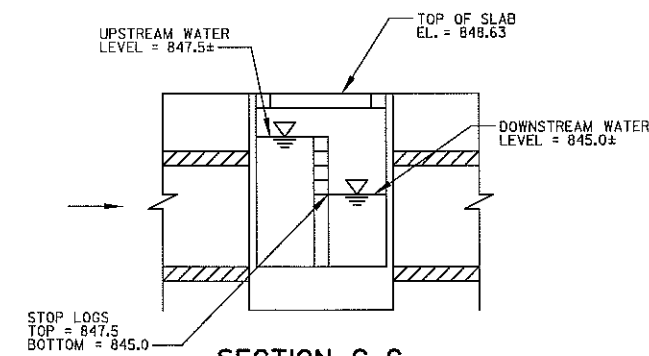
CUT OFF WALL
(TYP.)

DOWNSTREAM
EDGE OF WATER
EL. = 845.0 +/-

EARTHEN
EMBANKMENT



SECTION B-B



SECTION C-C



DATE:	
REVISIONS	
NO.	
DATE:	
DES BY:	
CHK BY:	
RECORD DRAWING	
BY:	
DATE:	
CONTRACTOR:	

LAKE WINGRA DAM LAYOUT
ALTERNATIVE 1 - EARTHEN DAM
LAKE WINGRA DAM RECONSTRUCTION
PROJECT TITLE
CITY OF MADISON
DANE COUNTY, WISCONSIN



SHEET
4.02-1
JOB NO. 1-020.027