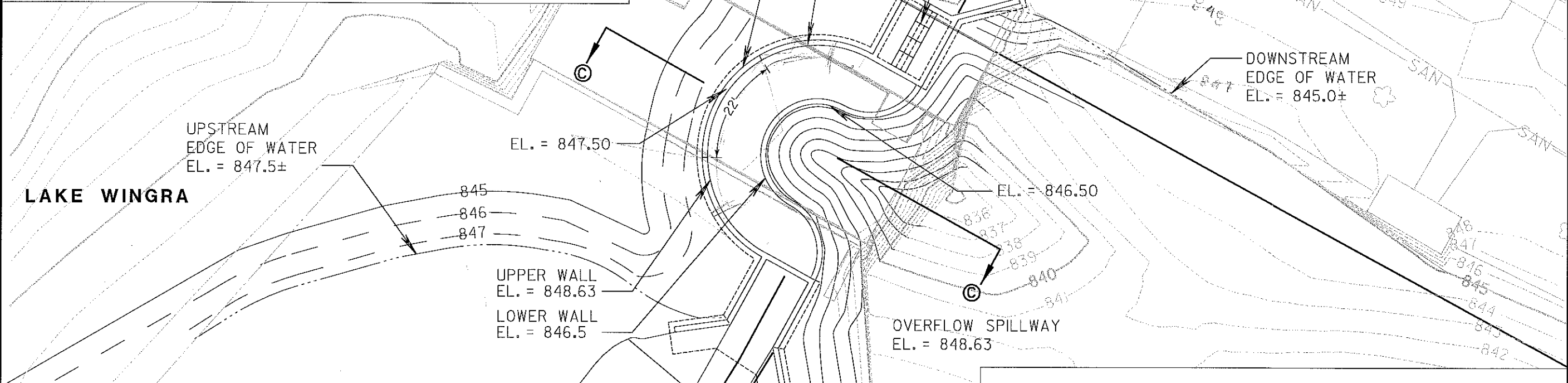


**SECTION A-A  
LOOKING DOWNSTREAM**



**LAKE WINGRA**

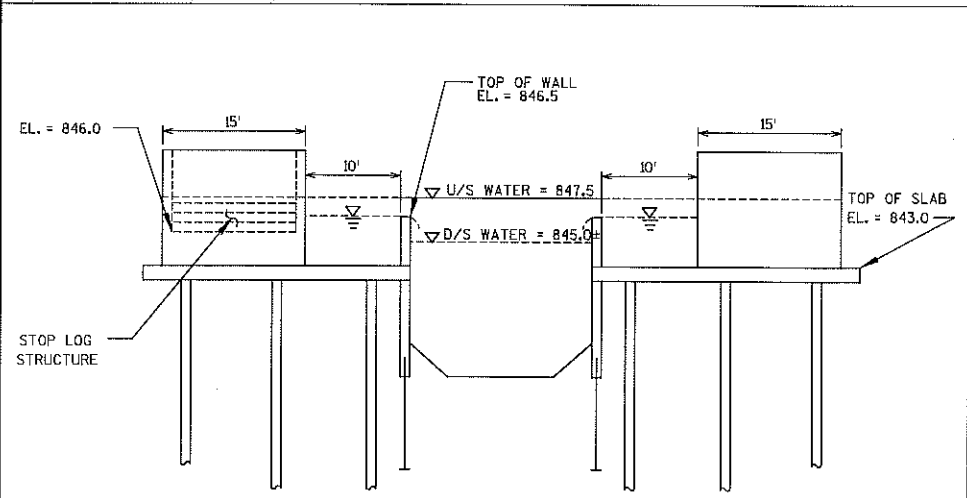
UPSTREAM  
EDGE OF WATER  
EL. = 847.5±

EL. = 847.50

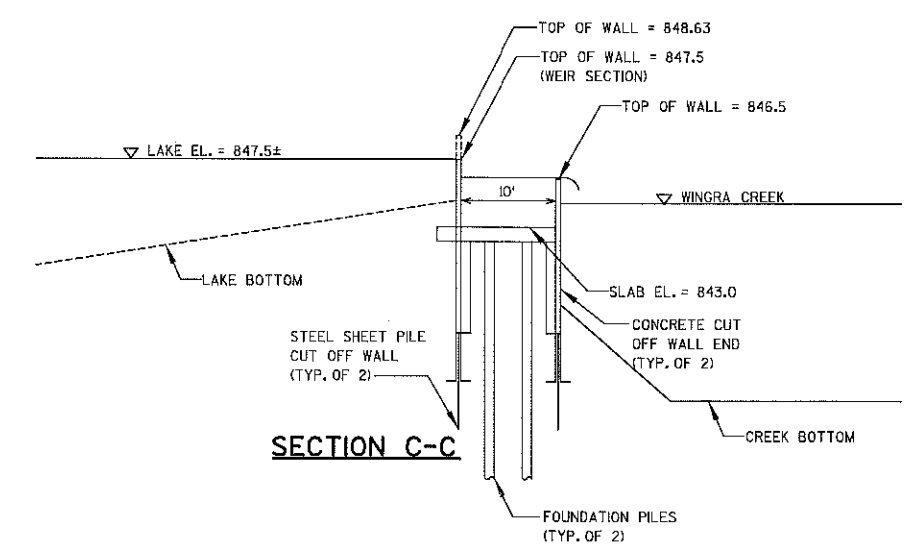
UPPER WALL  
EL. = 848.63  
LOWER WALL  
EL. = 846.5

OVERFLOW SPILLWAY  
EL. = 848.63

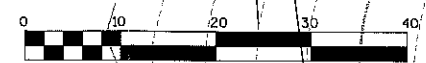
DOWNSTREAM  
EDGE OF WATER  
EL. = 845.0±



**SECTION B-B  
LOOKING DOWNSTREAM**



**SECTION C-C**



NO.	REVISIONS	DATE

DES BY: \_\_\_\_\_ CHK BY: \_\_\_\_\_  
 DATE: \_\_\_\_\_ RECORD DRAWING  
 BY: \_\_\_\_\_ DATE: \_\_\_\_\_ CONTRACTOR: \_\_\_\_\_

**LAKE WINGRA DAM LAYOUT  
 ALTERNATIVE 2 - CONCRETE DAM**  
 LAKE WINGRA DAM RECONSTRUCTION  
 CITY OF MADISON  
 DANE COUNTY, WISCONSIN



SHEET  
**4.02-2**  
 JOB NO. 1-020-027