

BID OF \_\_\_\_\_

**2015**

**PROPOSAL, CONTRACT, BOND AND SPECIFICATIONS**

**FOR**

**ADAMS STREET, RANDALL AVENUE AND MOUND STREET RESURFACING  
ASSESSMENT DISTRICT-2015**

**CONTRACT NO. 7428**

**PROJECT NO. 53W1847**

**MUNIS NO. 10258**

**IN**

**MADISON, DANE COUNTY, WISCONSIN**

AWARDED BY THE COMMON COUNCIL  
MADISON, WISCONSIN ON \_\_\_\_\_

CITY ENGINEERING DIVISION  
1600 EMIL STREET  
MADISON, WISCONSIN 53713

<https://bidexpress.com/login>

**ADAMS STREET, RANDALL AVENUE AND MOUND STREET RESURFACING  
ASSESSMENT DISTRICT-2015  
CONTRACT NO. 7428**

**INDEX**

SECTION A: ADVERTISEMENT FOR BIDS AND INSTRUCTIONS TO BIDDERS.....A-1  
SECTION B: PROPOSAL SECTION.....B-1  
SECTION C: SMALL BUSINESS ENTERPRISE ..... C-1  
SECTION D: SPECIAL PROVISIONS..... D-1  
SECTION E: BIDDER'S ACKNOWLEDGEMENT .....E-1  
SECTION F: DISCLOSURE OF OWNERSHIP & BEST VALUE CONTRACTING.....F-1  
SECTION G: BID BOND ..... G-1  
SECTION H: AGREEMENT..... H-1  
SECTION I: PAYMENT AND PERFORMANCE BOND ..... I-1  
SECTION J: PREVAILING WAGE RATES..... J-1

This Proposal, and Agreement have  
been prepared by:

**CITY ENGINEERING DIVISION  
CITY OF MADISON  
MADISON, DANE COUNTY, WISCONSIN**



---

Robert F. Phillips, P.E., City Engineer

RFP: lh

# SECTION A: ADVERTISEMENT FOR BIDS AND INSTRUCTIONS TO BIDDERS

## REQUEST FOR BID FOR PUBLIC WORKS CONSTRUCTION CITY OF MADISON, WISCONSIN

### A BEST VALUE CONTRACTING MUNICIPALITY

PROJECT NAME:	ADAMS STREET, RANDALL AVENUE AND MOUND STREET RESURFACING ASSESSMENT DISTRICT-2015
CONTRACT NO.:	7428
SBE GOAL	5%
BID BOND	5%
PRE BID MEETING (1:00 P.M.)	MARCH 20, 2015
PREQUALIFICATION APPLICATION DUE (1:00 P.M)	MARCH 20, 2015
BID SUBMISSION (1:00 P.M.)	MARCH 27, 2015
BID OPEN (1:30 P.M.)	MARCH 27, 2015
PUBLISHED IN WSJ	3/13/15 and 3/20/15

PRE BID MEETING: Representatives of the Affirmative Action Department will be present to discuss the Small Business Enterprise requirements at 1600 Emil Street, Madison Wisconsin.

PREQUALIFICATION APPLICATION: Forms are available on our website, [www.cityofmadison.com/business/pw/forms.cfm](http://www.cityofmadison.com/business/pw/forms.cfm). If not currently prequalified in the categories listed in Section A, an amendment to your Prequalification will need to be submitted prior to the same due date. Postmark is not applicable.

BIDS TO BE SUBMITTED by hand to 1600 EMIL ST., MADISON, WI 53713 or online at [www.bidexpress.com](http://www.bidexpress.com).

THE BID OPENING is at 1600 EMIL ST., MADISON, WI 53713.

#### STANDARD SPECIFICATIONS

The City of Madison's Standard Specifications for Public Works Construction - 2015 Edition, as supplemented and amended from time to time, forms a part of these contract documents as if attached hereto.

These standard specifications are available on the City of Madison Public Works website, [www.cityofmadison.com/Business/PW/specs.cfm](http://www.cityofmadison.com/Business/PW/specs.cfm).

The Contractor shall review these Specifications prior to preparation of proposals for the work to be done under this contract, with specific attention to Article 102, "BIDDING REQUIREMENTS AND CONDITIONS" and Article 103, "AWARD AND EXECUTION OF THE CONTRACT." For the convenience of the bidder, below are highlights of three subsections of the specifications.

#### SECTION 102.1: PRE-QUALIFICATION OF BIDDERS

In accordance with Wisconsin State Statutes 66.0901 (2) and (3), all bidders must submit to the Board of Public Works proof of responsibility on forms furnished by the City. The City requires that all bidders be qualified on a biennial basis.

Bidders must present satisfactory evidence that they have been regularly engaged in the type of work specified herein and they are fully prepared with necessary capital, materials, machinery and supervisory

personnel to conduct the work to be contracted for to the satisfaction of the City. All bidders must be pre-qualified by the Board of Public Works for the type of construction on which they are bidding prior to the opening of the bid.

In accordance with Section 39.02(9)(a)l. of the General Ordinances, all bidders shall submit in writing to the Affirmative Action Division Manager of the City of Madison, a Certificate of Compliance or an Affirmative Action Plan at the same time or prior to the submission of the proof of responsibility forms.

The bidder shall be disqualified if the bidder fails to or refuses to, prior to opening of the bid, submit a Certificate of compliance, Affirmative Action Plan or Affirmative Action Data Update, as applicable, as defined by Section 39.02 of the General Ordinances (entitled Affirmative Action) and as required by Section 102.11 of the Standard Specifications.

#### SECTION 102.4 PROPOSAL

No bid will be accepted that does not contain an adequate or reasonable price for each and every item named in the Schedule of Unit Prices.

A lump sum bid for the work in accordance with the plans and specifications is required. The lump sum bid must be the same as the total amounts bid for the various items and it shall be inserted in the space provided.

All papers bound with or attached to the proposal form are considered a part thereof and must not be detached or altered when the proposal is submitted. The plans, specifications and other documents designated in the proposal form will be considered a part of the proposal whether attached or not.

A proposal submitted by an individual shall be signed by the bidder or by a duly authorized agent. A proposal submitted by a partnership shall be signed by a member/partner or by a duly authorized agent thereof. A proposal submitted by a corporation shall be signed by an authorized officer or duly authorized registered agent of such corporation, and the proposal shall show the name of the State under the laws of which such corporation was chartered. The required signatures shall in all cases appear in the space provided thereof on the proposal.

Each proposal shall be placed, together with the proposal guaranty, in a sealed envelope, so marked as to indicate name of project, the contract number or option to which it applies, and the name and address of the Contractor or submitted electronically through Bid Express ([www.bidexpress.com](http://www.bidexpress.com)). Proposals will be accepted at the location, the time and the date designated in the advertisement. Proposals received after the time and date designated will be returned to the bidder unopened.

The Bidder shall execute the Disclosure of Ownership form. REFER TO SECTION F.

#### SECTION 102.5: BID DEPOSIT (PROPOSAL GUARANTY)

All bids, sealed or electronic, must be accompanied with a Bid Bond equal to at least 5% of the bid or a Certificate of Annual/Biennial Bid Bond or certified check, payable to the City Treasurer. Bid deposit of the successful bidders shall be returned within forty-eight (48) hours following execution of the contract and bond as required.

#### PREVAILING WAGE RATES

Prevailing Wage Rates may be required and are attached in Section J of the contract. See Special Provisions to determine applicability.

**Bidders for this Contract(s) must be Pre-Qualified for at least one of the following type(s) of construction denoted by an**

**Building Demolition**

- 101  Asbestos Removal
- 120  House Mover

- 110  Building Demolition

**Street, Utility and Site Construction**

- 201  Asphalt Paving
- 205  Blasting
- 210  Boring/Pipe Jacking
- 215  Concrete Paving
- 220  Con. Sidewalk/Curb & Gutter/Misc. Flat Work
- 221  Concrete Bases and Other Concrete Work
- 222  Concrete Removal
- 225  Dredging
- 230  Fencing
- 235  Fiber Optic Cable/Conduit Installation
- 240  Grading and Earthwork
- 241  Horizontal Saw Cutting of Sidewalk
- 242  Infrared Seamless Patching
- 245  Landscaping, Maintenance
- 250  Landscaping, Site and Street
- 251  Parking Ramp Maintenance
- 252  Pavement Marking
- 255  Pavement Sealcoating and Crack Sealing
- 260  Petroleum Above/Below Ground Storage Tank Removal/Installation
- 262  Playground Installer
- 265  Retaining Walls, Precast Modular Units

- 270  Retaining Walls, Reinforced Concrete
- 275  Sanitary, Storm Sewer and Water Main Construction
- 276  Sawcutting
- 280  Sewer Lateral Drain Cleaning/Internal TV Insp.
- 285  Sewer Lining
- 290  Sewer Pipe Bursting
- 295  Soil Borings
- 300  Soil Nailing
- 305  Storm & Sanitary Sewer Laterals & Water Svc.
- 310  Street Construction
- 315  Street Lighting
- 318  Tennis Court Resurfacing
- 320  Traffic Signals
- 325  Traffic Signing & Marking
- 332  Tree pruning/removal
- 333  Tree, pesticide treatment of
- 335  Trucking
- 340  Utility Transmission Lines including Natural Gas, Electrical & Communications
- 399  Other \_\_\_\_\_

**Bridge Construction**

- 501  Bridge Construction and/or Repair

**Building Construction**

- 401  Floor Covering (including carpet, ceramic tile installation, rubber, VCT)
- 402  Building Automation Systems
- 403  Concrete
- 404  Doors and Windows
- 405  Electrical - Power, Lighting & Communications
- 410  Elevator - Lifts
- 412  Fire Suppression
- 413  Furnishings - Furniture and Window Treatments
- 415  General Building Construction, Equal or Less than \$250,000
- 420  General Building Construction, \$250,000 to \$1,500,000
- 425  General Building Construction, Over \$1,500,000
- 428  Glass and/or Glazing
- 429  Hazardous Material Removal
- 430  Heating, Ventilating and Air Conditioning (HVAC)
- 433  Insulation - Thermal
- 435  Masonry/Tuck pointing

- 437  Metals
- 440  Painting and Wallcovering
- 445  Plumbing
- 450  Pump Repair
- 455  Pump Systems
- 460  Roofing and Moisture Protection
- 464  Tower Crane Operator
- 461  Solar Photovoltaic/Hot Water Systems
- 465  Soil/Groundwater Remediation
- 466  Warning Sirens
- 470  Water Supply Elevated Tanks
- 475  Water Supply Wells
- 480  Wood, Plastics & Composites - Structural & Architectural
- 499  Other \_\_\_\_\_

**State of Wisconsin Certifications**

- 1  Class 5 Blaster - Blasting Operations and Activities 2500 feet and closer to inhabited buildings for quarries, open pits and road cuts.
- 2  Class 6 Blaster - Blasting Operations and Activities 2500 feet and closer to inhabited buildings for trenches, site excavations, basements, underwater demolition, underground excavations, or structures 15 feet or less in height.
- 3  Class 7 Blaster - Blasting Operations and Activities for structures greater than 15 ' in height, bridges, towers, and any of the objects or purposes listed as "Class 5 Blaster or Class 6 Blaster".
- 4  Petroleum Above/Below Ground Storage Tank Removal and Installation (Attach copies of State Certifications.)
- 5  Hazardous Material Removal (Contractor to be certified for asbestos and lead abatement per the Wisconsin Department of Health Services, Asbestos and Lead Section (A&LS).) See the following link for application: [www.dhs.wisconsin.gov/Asbestos/Cert](http://www.dhs.wisconsin.gov/Asbestos/Cert). State of Wisconsin Performance of Asbestos Abatement Certificate must be attached.
- 6  Certification number as a Certified Arborist or Certified Tree Worker as administered by the International Society of Arboriculture
- 7  Pesticide application (Certification for Commercial Applicator For Hire with the certification in the category of turf and landscape (3.0) and possess a current license issued by the DATCP)
- 8  State of Wisconsin Master Plumbers License.

## SECTION B: PROPOSAL

Please refer to the  
Bid Express Website  
at <https://bidexpress.com>  
look up contract number  
and go to  
Section B: Proposal Page

You can access all City of Madison bid solicitations for FREE at [www.bidexpress.com](http://www.bidexpress.com)

Click on the "Register for Free" button and follow the instructions to register your company and yourself. You will be asked for a payment subscription preference, since you may wish to bid online someday. Simply choose the method to pay on a 'per bid' basis. This requires no payment until / unless you actually bid online. You can also choose the monthly subscription plan at this time. You will, however, be asked to provide payment information. Remember, you can change your preference at anytime. You will then be able to complete your free registration and have full access to the site. Your free access does not require completion of the 'Digital ID' process, so you will have instant access for viewing and downloading. To be prepared in case you ever do wish to bid online, you may wish to establish your digital ID also, since you cannot bid without a Digital ID.

If you have any problems with the free registration process, you can call the bidexpress help team, toll free at 1-888-352-2439 (option 1, option1).

## **SECTION C: SMALL BUSINESS ENTERPRISE**

### **Instructions to Bidders City of Madison SBE Program Information**

#### **2 Small Business Enterprise (SBE) Program Information**

##### **2.1 Policy and Goal**

The City of Madison reaffirms its policy of nondiscrimination in the conduct of City business by maintaining a procurement process which remains open to all who have the potential and ability to sell goods and services to the City. It is the policy of the City of Madison to allow Small Business Enterprises (SBE) maximum feasible opportunity to participate in City of Madison contracting. The bidder acknowledges that its bid has been submitted in accordance with the SBE program and is for the public's protection and welfare.

Please refer to the "ADVERTISEMENT FOR BIDS" for the goal for the utilization of SBEs on this project. SBEs may participate as subcontractors, vendors and/or suppliers, which provide a commercially useful function. The dollar value for SBE suppliers or 'materials only' vendors shall be discounted to 60% for purposes of meeting SBE goals.

A bidder which achieves or exceeds the SBE goal will be in compliance with the SBE requirements of this project. In the event that the bidder is unable to achieve the SBE goal, the bidder must demonstrate that a good faith effort to do so was made. Failure to either achieve the goal or demonstrate a good faith effort to do so will be grounds for the bidder being deemed a non-responsible contractor ineligible for award of this contract.

A bidder may count towards its attainment of the SBE goal only those expenditures to SBEs that perform a commercially useful function. For purposes of evaluating a bidder's responsiveness to the attainment of the SBE goal, the contract participation by an SBE is based on the percentage of the total base bid proposed by the Contractor. The total base bid price is inclusive of all addenda.

Work performed by an SBE firm in a particular transaction can be counted toward the goal only if it involves a commercially useful function. That is, in light of industry practices and other relevant considerations, does the SBE firm have a necessary and useful role in the transaction, of a kind for which there is a market outside the context of the SBE Program, or is the firm's role a superfluous step added in an attempt to obtain credit towards goals? If, in the judgment of the Affirmative Action Division, the SBE firm will not perform a commercially useful function in the transaction, no credit towards goals will be awarded.

The question of whether a firm is performing a commercially useful function is completely separate from the question of whether the firm is an eligible SBE. A firm is eligible if it meets the definitional criteria and ownership and control requirements, as set forth in the City of Madison's SBE Program.

If the City of Madison determines that the SBE firm is performing a commercially useful function, then the City of Madison must then decide what that function is. If the commercially useful function is that of an SBE vendor / supplier that regularly transacts business with the respective product, then the City of Madison will count 60% of the value of the product supplied toward SBE goals.

To be counted, the SBE vendor / supplier must be engaged in selling the product in question to the public. This is important in distinguishing an SBE vendor / supplier, which has a regular trade with a variety of customers, from a firm which performs supplier-like functions on an ad hoc basis or for only one or two contractors with whom it has a special relationship.

A supplier of bulk goods may qualify as an eligible SBE vendor / supplier if it either maintains an inventory or owns or operates distribution equipment. With respect to the distribution equipment; e.g., a fleet of trucks, the term "operates" is intended to cover a situation in which the supplier leases the equipment on a regular basis for its entire business. It is not intended to cover a situation in which the firm simply provides drivers for trucks owned or leased by another party; e.g., a prime contractor, or leases such a party's trucks on an ad hoc basis for a specific job.

If the commercially useful function being performed is not that of a qualified SBE vendor / supplier, but rather that of delivery of products, obtaining bonding or insurance, procurement of personnel, acting as a broker or manufacturer's representative in the procurement of supplies, facilities, or materials, etc., only the fees or commissions will apply towards the goal.

For example, a business that simply transfers title of a product from manufacturer to ultimate purchaser; e. g., a sales representative who re-invoices a steel product from the steel company to the Contractor, or a firm that puts a product into a container for delivery would not be considered a qualified SBE vendor / supplier. The Contractor would not receive credit based on a percentage of the cost of the product for working with such firms.

Concerning the use of services that help the Contractor obtain needed supplies, personnel, materials or equipment to perform a contract: only the fee received by the service provider will be counted toward the goal. For example, use of a SBE sales representative or distributor for a steel company, if performing a commercially useful function at all, would entitle the Contractor receiving the steel to count only the fee paid to the representative or distributor toward the goal. This provision would also govern fees for professional and other services obtained expressly and solely to perform work relating to a specific contract.

Concerning transportation or delivery services: if an SBE trucking company picks up a product from a manufacturer or a qualified vendor / supplier and delivers the product to the Contractor, the commercially useful function it is performing is not that of a supplier, but simply that of a transporter of goods. Unless the trucking company is itself the manufacturer or a qualified vendor / supplier in the product, credit cannot be given based on a percentage of the cost of the product. Rather, credit would be allowed for the cost of the transportation service.

The City is aware that the rule's language does not explicitly mention every kind of business that may contribute work on this project. In administering these programs, the City would, on a case-by-case basis, determine the appropriate counting formula to apply in a particular situation.

## **2.2 Contract Compliance**

Questions concerning the SBE Program shall be directed to the Contract Compliance Officer of the City of Madison Department of Civil Rights, Affirmative Action Division, 210 Martin Luther King, Jr. Blvd., Room 523, Madison, WI 53703; telephone (608) 266-4910.



## 2.3 Certification of SBE by City of Madison

The Affirmative Action Division maintains a directory of SBEs which are currently certified as such by the City of Madison. Contact the Contract Compliance Officer as indicated in Section 2.2 to receive a copy of the SBE Directory or you may access the SBE Directory online at [www.cityofmadison.com/dcr/aaTBDir.cfm](http://www.cityofmadison.com/dcr/aaTBDir.cfm).

All contractors, subcontractors, vendors and suppliers seeking SBE status must complete and submit the **Targeted Business Certification Application** to the City of Madison Affirmative Action Division by the time and date established for receipt of bids. A copy of the Targeted Business Certification Application is available by contacting the Contract Compliance Officer at the address and telephone indicated in Section 2.2 or you may access the Targeted Business Certification Application online at [www.cityofmadison.com/dcr/aaTBDir.cfm](http://www.cityofmadison.com/dcr/aaTBDir.cfm). Submittal of the Targeted Business Certification Application by the time specified does not guarantee that the applicant will be certified as a SBE eligible to be utilized towards meeting the SBE goal for this project.

## 2.4 Small Business Enterprise Compliance Report

### 2.4.1 Good Faith Efforts

Bidders shall take all necessary affirmative steps to assure that SBEs are utilized when possible and that the established SBE goal for this project is achieved. A contractor who self performs a portion of the work, and is pre-qualified to perform that category of work, may subcontract that portion of the work, but shall not be required to do so. When a bidder is unable to achieve the established SBE goal, the bidder must demonstrate that a good faith effort to do so was made. Such a good faith effort should include the following:

- 2.4.1.1 Attendance at the pre-bid meeting.
- 2.4.1.2 Using the City of Madison's directory of certified SBEs to identify SBEs from which to solicit bids.
- 2.4.1.3 Assuring that SBEs are solicited whenever they are potential sources.
- 2.4.1.4 Referring prospective SBEs to the City of Madison Affirmative Action Division for certification.
- 2.4.1.5 Dividing total project requirements into smaller tasks and/or quantities, where economically feasible, to permit maximum feasible SBE participation.
- 2.4.1.6 Establishing delivery schedules, where requirements permit, which will encourage participation by SBEs.
- 2.4.1.7 Providing SBEs with specific information regarding the work to be performed.
- 2.4.1.8 Contacting SBEs in advance of the deadline to allow such businesses sufficient time to prepare a bid.
- 2.4.1.9 Utilizing the bid of a qualified and competent SBE when the bid of such a business is deemed reasonable (i.e. 5% above the lowest bidder), although not necessarily low.
- 2.4.1.10 Contacting SBEs which submit a bid, to inquire about the details of the bid and confirm that the scope of the work was interpreted as intended.

### 2.4.2 Reporting SBE Utilization and Good Faith Efforts

The Small Business Enterprise Compliance Report is to be submitted by the bidder with the bid: This report is due by the specified bid closing time and date. Bids submitted without a completed SBE Compliance Report as outlined below

shall be deemed non-responsible and the bidder ineligible for award of this contract.

2.4.2.1 If the Bidder meets or exceeds the goal established for SBE utilization, the Small Business Enterprise Compliance Report shall consist of the following:

2.4.2.1.1 **Cover Page**, Page C-6; and

2.4.2.1.2 **Summary Sheet**, C-7.

2.4.2.2 If the bidder does not meet the goal established for SBE utilization, the Small Business Enterprise Compliance Report shall consist of the following:

2.4.2.2.1 **Cover Page**, Page C-6;

2.4.2.2.2 **Summary Sheet**, C-7; and

2.4.2.2.3 **SBE Contact Report**, C-8 and C-9. (A separate Contact Report must be completed for each applicable SBE which is not utilized.)

## 2.5 Appeal Procedure

A bidder which does not achieve the established goal and is found non-responsible for failure to demonstrate a good faith effort to achieve such goal and subsequently denied eligibility for award of contract may appeal that decision to the Small Business Enterprises Appeals Committee. All appeals shall be made in writing, and shall be delivered to and received by the City Engineer no later than 4:30 PM on the third business day following the bidder's receipt of the written notification of ineligibility by the Affirmative Action Division Manager. Postmark not acceptable. The notice of appeal shall state the basis for the appeal of the decision of the Affirmative Action Division Manager. The Appeal shall take place in accordance with Madison General Ordinance 33.54.

## 2.6 SBE Requirements After Award of the Contract

The successful bidder shall identify SBE subcontractors, suppliers and vendors on the subcontractor list in accordance with the specifications. The Contractor shall submit a detailed explanation of any variances between the listing of SBE subcontractors, vendors and/or suppliers on the subcontractor list and the Contractor's SBE Compliance Report for SBE participation.

No change in SBE subcontractors, vendors and/or suppliers from those SBEs indicated in the SBE Compliance Report will be allowed without prior approval from the Engineer and the Affirmative Action Division. The contractor shall submit in writing to the City of Madison Affirmative Action Division a request to change any SBE citing specific reasons which necessitate such a change. The Affirmative Action Division will use a general test of reasonableness in approving or rejecting the contractor's request for change. If the request is approved, the Contractor will make every effort to utilize another SBE if available.

The City will monitor the project to ensure that the actual percentage commitment to SBE firms is carried out.

## **2.7 SBE Definition and Eligibility Guidelines**

A Small Business Enterprise is a business concern awarded certification by the City of Madison. For the purposes of this program a Small Business Enterprise is defined as:

- A. An independent business operated under a single management. The business may not be a subsidiary of any other business and the stock or ownership may not be held by any individual or any business operating in the same or a similar field. In determining whether an entity qualifies as a SBE, the City shall consider all factors relevant to being an independent business including, but not limited to, the date the business was established, adequacy of its resources for the work in which it proposes to involve itself, the degree to which financial, equipment leasing and other relationships exist with other ineligible firms in the same or similar lines of work. SBE owner(s) shall enjoy the customary incidents of ownership and shall share in the risks and profits commensurate with their enjoyment interests, as demonstrated by an examination of the substance rather than form or arrangements that may be reflected in its ownership documents.
- B. A business that has averaged no more than \$4.0 million in annual gross receipts over the prior three year period and the principal owner(s) do not have a personal net worth in excess of \$1.32 million.

Firm and/or individuals that submit fraudulent documents/testimony may be barred from doing business with the City and/or forfeit existing contracts.

SBE certification is valid for one (1) year unless revoked.

**ADAMS STREET, RANDALL AVENUE AND MOUND STREET RESURFACING  
ASSESSMENT DISTRICT-2015  
CONTRACT NO. 7428**

**Small Business Enterprise Compliance Report**

**This information may be submitted electronically through  
Bid Express or submitted with bid in sealed envelope.**

**Cover Sheet**

Prime Bidder Information

Company: \_\_\_\_\_

Address: \_\_\_\_\_

Telephone Number: \_\_\_\_\_ Fax Number: \_\_\_\_\_

Contact Person/Title: \_\_\_\_\_

Prime Bidder Certification

I, \_\_\_\_\_, \_\_\_\_\_ of  
Name Title

\_\_\_\_\_ certify that the information  
Company

contained in this SBE Compliance Report is true and correct to the best of my knowledge and belief.

\_\_\_\_\_  
Witness' Signature

\_\_\_\_\_  
Bidder's Signature

\_\_\_\_\_  
Date



**ADAMS STREET, RANDALL AVENUE AND MOUND STREET RESURFACING  
ASSESSMENT DISTRICT-2015  
CONTRACT NO. 7428**

**Small Business Enterprise Compliance Report**

**SBE Contact Report**

Submit separate copy of this form for each SBE which you are not able to utilize towards meeting the SBE goal for this project. Attach separate sheets if necessary.

SBE Information

Company: \_\_\_\_\_

Address: \_\_\_\_\_

Telephone Number: \_\_\_\_\_

Contact Person/Title: \_\_\_\_\_

1. Outline below all efforts to solicit a bid from the above SBE. Include date, means of contact, who from your company made this contact and the result.

\_\_\_\_\_  
\_\_\_\_\_  
\_\_\_\_\_

2. Describe the information provided to the aforementioned SBE regarding the scope of work for which he/she was to provide a bid.

\_\_\_\_\_  
\_\_\_\_\_  
\_\_\_\_\_

Is this the same scope of work on which the subcontractor you intend to utilize based his/her bid?

Yes     No

3. Did this SBE submit a bid?     Yes     No

4. Is the General Contractor pre-qualified to self-perform this category of work?

Yes     No

5. If you responded "Yes" to Question 3, please check the items below which apply and provide the requested detail. If you responded "No" to Question 3, please skip ahead to item 6 below.

The SBE listed above is unavailable for work on this project for the following reasons. Provide specific detail for this conclusion.

---

---

The SBE listed above is unqualified for work on this project. Provide specific details for this conclusion.

---

---

The SBE listed above provided a price that was unreasonable (i.e. more than 5% above the lowest bidder). Provide specific detail for this conclusion including the SBE's price and the price of the subcontractor you intend to utilize.

---

---

A contract with the SBE listed above may constitute a breach of the bidder's collective bargaining agreements. Provide specific detail for this conclusion including, but not limited to, correspondence from the SBE indicating it will not sign a project labor agreement and/or correspondence from the applicable trade union indicating a project labor agreement will not be allowed at the time of project bidding.

---

---

Other; please specify reason(s) other than listed above which made it impossible for you to utilize this SBE on this project.

---

---

6. Describe any other good faith efforts:

---

---

## SECTION D: SPECIAL PROVISIONS

### ADAMS STREET, RANDALL AVENUE AND MOUND STREET RESURFACING ASSESSMENT DISTRICT-2015 CONTRACT NO. 7428

It is the intent of these Special Provisions to set forth the final contractual intent as to the matter involved and shall prevail over the Standard Specifications and plans whenever in conflict therewith. In order that comparisons between the Special Provisions can be readily made, the numbering system for the Special Provisions is equivalent to that of the Specifications.

Whenever in these Specifications the term "Standard Specifications" appears, it shall be taken to refer to the City of Madison Standard Specifications for Public Works Construction and Supplements thereto.

#### SECTION 102.10: PREVAILING WAGE

For this project, payment of prevailing wages (white sheet) shall be required unless the box indicating prevailing wages are not required is checked below.

Prevailing wages shall not be required when this box is checked.

If prevailing wages (white sheets) are required, the wages and benefits paid on the contract shall not be less than those specified in the Prevailing Wage Determination included with these contract documents for the following types of work:

- Building or Heavy Construction
- Sewer, Water, or Tunnel Construction
- Local Street or Miscellaneous Paving Construction
- Residential or Agricultural Construction

When multiple boxes are checked, worker's wages may vary according to the type and area of work performed. It is the responsibility of the Contractor to determine and apply the appropriate wage rate for the specific work assigned.

#### SECTION 102.12: BEST VALUE CONTRACTING

This Contract shall be considered a Best Value Contract if the Contractor's bid is equal to or greater than \$55,500 for a single trade contract; or equal to or greater than \$271,500 for a multi-trade contract pursuant to MGO 33.07(7).

#### ARTICLE 104: SCOPE OF WORK

This project will include the construction portions of concrete curb and gutter and an asphalt pavement, replacement of drive aprons, replacement of portions of the sidewalk, construction of new sanitary sewer and water mains and laterals, and the construction of related storm sewer.

#### ARTICLE 105.12: COOPERATION BY THE CONTRACTOR

The Contractor shall use care around existing trees, plantings, fences, walls, steps and driveways that are indicated on the plans to remain. Damage to these items during construction shall be repaired or replaced at the Contractor's expense. No trees, other than those shown on the plan to be removed, shall be cut without the approval of the Engineer and the City Forester; the abutting property owners shall be notified in accordance with the City's Administrative Procedure Memorandum No. 6-2.

No work shall take place on Friday August 14 thru Sunday August 16 to facilitate the annual student move out/move in activities. The Contractor shall minimize the volume of materials and equipment left



within the project limits and the streets shall be in a condition that will allow for the safe passage of vehicles and pedestrians.

#### Corrugated Metal Pipe Protection

There exists a run of three CMP metal storm sewer pipes under Adams St and S Randall Ave. These are shown on the plan set in plan and profile view. The City has inspected these pipes with TV prior to construction and will inspect them again after street construction is finished and before paving operations begin.

The Contractor shall take all necessary precautions to protect these pipes. Cover is as little as two feet and damage could occur to the pipes if heavy machinery or trucks are driven on them. Any damage to the pipes shall be repaired by the contractor at the contractor's expense including but not limited to all work, materials, equipment, and incidentals required to repair or replace the pipes to the satisfaction of the field engineer. No extra payment or time shall be granted for pipe repair.

The contractor shall provide a minimum of one weeks' notice upon completion of construction activities before paving begins so that post construction TV inspection can be arranged. The contractor shall provide notice to

Jay Schlimgen  
City of Madison Engineering  
1600 Emil Street  
Madison, WI 53713  
(608) 266-4087  
jschlimgen@cityofmadison.com

#### **ARTICLE 107.7: MAINTENANCE OF TRAFFIC**

The Contractor shall submit an acceptable Traffic Control Plan, including all necessary phases, to the office of the City Traffic Engineer, at 215 Martin Luther King, Jr. Blvd, Suite 100, Madison, WI 53703, a minimum of five (5) working days prior to the pre-construction meeting. The Traffic Control Plan shall address all requirements of this section of the Special Provisions. The successful bidder shall work with the City Traffic Engineering Division to develop an approved Traffic Control Plan. The Contractor shall not start work on this project until the Traffic Engineering Division has approved a traffic control plan and traffic control devices have been installed, in accordance with the approved plan. Failure of the Contractor to obtain approval of a Traffic Control Plan, as specified above, may prevent the Contractor from starting work and shall be considered a delay of the project, caused by the Contractor.

The Contractor shall be responsible for installing and maintaining traffic control in accordance with the approved Traffic Control Plan and as directed by the City Traffic Engineer. The traffic control plan may need to be altered as conditions change in the field or as unexpected conditions occur. This may include relocating existing traffic control or providing additional traffic control. The Contractor shall install and maintain any necessary modifications or additions to the traffic control, as directed by the City Traffic Engineer, at no cost to the City.

All signing and barricading shall conform to Part VI of the Federal Highways Administrations "Manual on Uniform Traffic Control Devices" (MUTCD), the State of Wisconsin Standard Facilities Development Manual (including Chapter 16 – Standard Detail Drawings).

The Contractor shall provide ADA/Handicap Accessible pedestrian access at all intersections within the construction area at all times. Sidewalks shall be maintained on at least one side of the street at all times.

The Contractor may remove parking within the project limits as indicated on the Traffic Control Plan. The Contractor shall be responsible for posting and maintaining NO PARKING signs in accordance with City

of Madison Police Department's "Guidelines for Temporary No Parking Restrictions for Construction or Special Events".

S. Randall Ave., Adams St., and Mound St. may be closed to through traffic, at the project limits, for the duration of the project. Local and emergency vehicle access shall be maintained at all times. All travel lanes on Regent St. shall be maintained for the duration of the project.

The work areas shall be backfilled, plated, or protected by traffic control devices during non-working hours. If steel plates are used, the Contractor shall notify the City of Madison Streets Division, 266-4681, (1) working day prior to placement of the plates.

No construction equipment or materials shall be stored in the roadway or street right-of-way that is open to traffic during non-working hours. Construction equipment and materials are not to be stored within the street right-of-way that is outside the project limits as shown on the approved plan.

Contact Luke Peters, Traffic Engineering Division, 267-1969, with any questions concerning these traffic control specifications.

The Contractor shall not remove traffic signs. For removal or replacement of traffic and parking signs, contact the City of Madison Traffic Engineering Field Operations, 1120 Sayle Street, 266-4767, 8:00 a.m. to 4:00 p.m., a minimum of one (1) working day in advance of when any existing signs need to be removed. This service is provided free of charge. If the Contractor removes the signs, the Contractor will be billed for the reinstallation of, and any damage to, the signing equipment.

#### **ARTICLE 108.2:        PERMITS**

The City of Madison has submitted a DNR Notice of Intent (NOI) to obtain coverage under a Construction Site General Permit.

The Contractor shall meet the conditions of the permit by properly installing and maintaining the erosion control measures shown on the plans, specified in these Special Provisions, or as directed by the Construction Engineer or his designees. This work will be paid for under the appropriate contract bid items or, if appropriate items are not included in the contract, shall be paid for as Extra Work. A copy of the permit is available at the City of Madison, Engineering Division office.

This permit covers trench dewatering to a maximum of 70 gallons/minute from the project, provided appropriate control measures are in place. The City's obtaining this permit is not intended to be exhaustive of all permits that may be required to be obtained by the Contractor for construction of this project. It shall be the responsibility of the Contractor to identify and obtain any other permits needed for construction.

#### **ARTICLE 109.2        PROSECUTION OF THE WORK**

The Contractor shall begin operations on or before **May 18, 2015** and will have **Ninety-six (96) calendar days** to complete the project. If weather permits, the Contractor may begin work earlier. The Contractor shall notify the Engineer a minimum of two weeks prior to the anticipated start of work date.

The Contractor shall also notify the City Engineer (contact the Construction Engineer at 266-9091) a minimum of 48 hours prior to the desired start date. The Engineer shall schedule a pre-construction meeting prior to the start of construction.

#### **PART V        SEWER AND SEWER STRUCTURES**

##### **501.1 Description**

##### **STORM SEWER GENERAL**

The storm sewer designer for this project is Corey Stelljes. He may be contacted by phone at (608) 266-9721 or by email at [cstelljes@cityofmadison.com](mailto:cstelljes@cityofmadison.com).

Reconnection of existing pipes at new structures, or new pipes at new structures, shall be considered to be part of the work required to construct the new structure or to construct the new sewer pipe and shall not be rewarded with additional compensation. However, if the structure being removed is larger than the new structure, thus requiring additional pipe, the new pipe shall be paid under the appropriate bid item and the connection of the old pipe to the new pipe shall be accomplished with a concrete collar.

Where a new structure is to be constructed at an existing pipe, it is expected that the contractor shall saw cut the existing pipe in the required location to accommodate the placement of the new structure. If the contractor for his/her convenience deems it more suitable to remove the existing pipe to a full joint, the additional pipe and concrete collar required to reconnect to the new structure shall be the contractor's responsibility and shall not be compensated.

Connection of new pipes to existing structures shall be accommodated with a Storm Sewer Tap – Bid Item 50792.

If there are structures where the pipe walls are to be poured into the structure roof or both the pipe walls and the structure casting are to be poured in the structure roof, the Contractor shall not be provided additional compensation for complying with the structure requirements detailed on the storm sewer chart and plans.

Precast structures are only allowed where field poured structures are not specifically called for, and no precast structures are allowed until ULO's are completed and approval of the design engineer has been received.

## **SANITARY SEWER GENERAL**

The Sanitary Sewer designer for this project is Corey Stelljes. He may be contacted at (608) 266-9721 or [cstelljes@cityofmadison.com](mailto:cstelljes@cityofmadison.com).

Sanitary sewer pipe work shall include installing approximately 1500 feet of new 8" PVC and 1278' of sanitary sewer lateral at locations that are specified on the plan set and in accordance with the Standard Specifications. All necessary fittings for pressure pipe laterals shall be considered incidental to the cost of the lateral.

All new sanitary sewer access structures shall include Neenah R-1550 castings with the new City of Madison casting detail (see S.D.D. 5.7.16) of the City of Madison Standard Specifications for Public Works Construction 2015 ed. All new sewer main connections may be factory cored and shall be included in the structure. All existing main connections shall be field cored to accommodate existing conditions and shall be compensated under BID ITEM 50791 SANITARY SEWER TAP. All sewer main and/or laterals not slated for replacement that are damaged during the installation of a structure shall be replaced by the Contractor and shall be considered incidental to the project. All benches and flowlines shall have a smooth trowel finish.

Contractors shall have a locator device on-site if they intend to start laying lateral pipe at the property line to minimize the amount of extra sidewalk removal. No additional compensation shall be awarded beyond this amount for the replacement of a sewer lateral. If laterals called for reinstatement on the plans are to be plugged under the direction of the engineer on-site, contractors are required to use a sonde device to confirm that the laterals that are called abandonment are not active.

It is advised that the Contractor visit the site prior to bidding to determine the type of trench protection and erosion control measures that will be necessary for the sanitary sewer main installation.

Proposed sanitary lateral locations near trees are subject to change based upon data obtained in the field and property owner involvement. Excavation near trees shall comply with Article 107.13 of the Standard

Specifications. If 5 ft of separation from the tree to the excavation cannot be maintained, lateral replacement shall stop at the curb. Because there are a number of very large trees on the project, some laterals are called out to be replaced to the curb only.

#### MMSD Sewer Access Structures:

There are several sewer access structures belonging to MMSD on the project. Some of these are to be adjusted and some tapped. Sanitary Sewer casting adjustments are included as part of the project as shown on the plans. Contractor shall coordinate operations with the MMSD. MMSD will supply a rubber adjustment ring and new casting. Contact Ray Schneider (608)347-3628, rays@madsewer.org, 5 days prior to adjusting the manhole casting to grade. Contractor shall notify Ray Schneider 5 days prior to making the connection to the MMSD manhole to arrange for inspection of the connection. Tap connection shall conform to all MMSD connection specification criteria. Contractor will be responsible for taking out the connection permit as well as the permit connection fee (\$950.00, 2015 rate).

### **SECTION 701                      PROVISIONS FOR WATER INSTALLATION AND ABANDONMENT**

The Water Utility designer for the project is Adam Wiederhoeft. He may be contacted at (608) 266-9121 or [awiederhoeft@madisonwater.org](mailto:awiederhoeft@madisonwater.org).

This project consists of furnishing and installing 8-in ductile iron water main on S Randall Ave between Vilas Ave and Regent St, on Mound St between S Randall Ave and Adams St, and on Adams St between Oakland Ave and S Randall Ave. The work also includes connections into the cross streets on and between these streets.

To accommodate replacing the existing water main in its existing corridor, the project includes constructing and maintaining a temporary potable drinking water system to provide water service to all affected properties along S Randall Ave and Adams St (the Mound St segment is not included). The temporary water system shall be in-service prior to removing the existing water main from service and shall be maintained throughout the duration of the water main construction project.

The water main construction also includes curb & gutter removal and replacement in various locations, as designated on the plans. Payment shall be made only for authorized and required curb replacement in the designated areas. Additional removal and replacement work to accommodate water main construction must be authorized by the Water Utility Construction Inspector or Engineer during construction to be considered for payment.

Once the new systems have passed the pressure and water quality tests, cut off, extend as necessary, and reconnect the existing water service laterals to the new water mains unless the service is to be abandoned. All services that may require relocation due to conflicts with trees or any other issue must be authorized and the new location approved in advance by the Water Utility inspector. Any broken curb stops, buried curb boxes or otherwise dysfunctional service components must be approved for adjustment, removal and/or replacement by the Water Utility inspector in advance of any work being performed.

Once the new systems have passed the required pressure and water quality tests, cut off, extend as necessary, and reconnect the existing water service laterals to the new water mains (unless the service is to be abandoned). Services will be reconnected to the new main as shown on the plans. Service lateral work in conflict with tree protection specifications and/or damaged service laterals may require relocation or replacement of the lateral. Any service lateral work other than what is designated on the plans must be authorized in advance by the Water Utility Inspector and will be paid under Bid Item 70053 – Replace 1-Inch Copper Service Lateral.

Take all necessary precautions to protect the existing Madison Water Utility system and ensure its proper functioning during construction.

View the site prior to bidding and become familiar with existing conditions and utilities.

**SECTION 702            MATERIALS**

Furnish all materials, labor and equipment necessary to complete this project except the tapping sleeves, tapping valves and tapping valve boxes. Water Utility will furnish the tapping sleeves, tapping valves, tapping valve boxes, and the crew to perform the taps.

**SECTION 703            CONSTRUCTION METHODS**

Perform all work in accordance with these provisions and the City of Madison Standard Specifications, current edition. Keep all valves accessible and functioning throughout the duration of the work or directed otherwise by the Water Utility representative.

**UTILITY PROTECTION, SUPPORT & COORDINATION**

Portions of the water main construction within this project are located in close proximity to Madison Gas & Electric Co. (MG&E) overhead electric distribution poles and other overhead utilities. Adequately protect and support these and all other utilities during water main construction activities. Coordinate, as applicable, with the respective utility owner for inspections and/or utility support requirements. The utility protection and support, including utility coordination is considered incidental to the water main construction.

**WATER SHUT-OFF AND NOTIFICATION REQUIREMENTS**

In addition to the water shut-off and notification requirements in the Standard Specifications, the following requirements apply to work under this Contract:

Beth Israel Center, 1406 Mound St

Contact: Elissa Pollack, Executive Director - 256-7763

Do not shut off water to the Beth Israel Center at 1406 Mound Street between sundown Friday evenings and Noon on Sundays. For any water shut-offs affecting Beth Israel Center provide at least 5 working day notice in advance of the service interruption.

7-Eleven Store #35847, 1401 Regent St

Note: open 24/7

608-257-8888

Verify service off S Randall Ave is not used prior to abandoning (~STA: 26+75)

Mound St Yoga Center, 1342 Mound St

Contact: Alicia Wright, Studio Manager - 616-9678 or 513-1487

RBS Apartments, 206 S. Randall Ave.

Contact: Glenn Messner 616-0176

Oakland Apartments, 1555 Adams St

Contact: DMC-Docken Management CO, Inc. – 608-241-5777 or 249-2760

Email: *dockenmanagement@gmail.com*

Emergencies - 235-3500

**WATER UTILITY GENERAL NOTES FOR SPECIFIC WORK:**

- |     |   |
|-----|---|
| WN1 | Replace the existing lead service with a new copper service.            |
| WN2 | Extend and reconnect the existing copper service to the new water main. |
| WN3 | Existing service to be abandoned when water main is cut-off.            |

- |      |   |
|------|---|
| WN4  | Disconnect service from the old water main and reconnect the existing copper water service lateral to the new water main. |
| WN5  | Relocate the existing fire hydrant.   |
| WN6  | Abandon water valve access structure.   |
| WN7  | Furnish and install the new top section for the water access structure.   |
| WN8  | Abandon the valve box.  |
| WN9  | Furnish the ditch, compaction and all materials and labor for the installation of new service lateral.                    |
| WN10 | Remove and salvage existing hydrant.  |
| WN11 | Replace the existing copper service with a new copper service.  |

**BID ITEM 21001            EROSION CONTROL IMPLEMENTATION PLAN**

In addition to the requirements detailed in Section 210.1(a) the Contractor shall supply a dewatering plan as part of the Erosion Control Implementation Plan. At a minimum the dewatering plan shall include the Contractor's methods, practices, and or devices to perform TYPE I or TYPE II Dewatering per Section 502.1(c) Dewatering in the City of Madison Standard Specifications for Public Works Construction and Wisconsin Department of Natural Resources (WDNR) SOC Technical Standard 1061 Dewatering. If TYPE II Dewatering is expected to be used at a rate in excess of 70 g.p.m. the dewatering plan shall also include a copy of any applicable WDNR permits.

**BID ITEM 21002            EROSION CONTROL INSPECTION**

Work under this bid item shall be for weekend inspections (inspections required for rain events, half inch or larger, that occur on a Friday or Saturday) by the Contractor after half inch or greater rain events or as directed by the construction engineer. All weekly inspections and rain event inspections required during the work week (Monday-Friday) shall be completed by the City of Madison construction inspector.

**BID ITEM 20336            PIPE PLUG**

With regard to the City of Madison Standard Specifications for Public Works Construction 2015 Edition Article 203.2c, any pipe found in a trench that is less than 10" inside diameter while installing a sewer facility shall be considered incidental to the pipe being installed.

Any pipe plugs required to abandon or remove sewer access structures (pipes directly connected to the structure) shall be considered incidental to abandoning or removing the structure regardless of the size of pipe being abandoned.

**BID ITEM 50202            DEWATERING TYPE II**

Contaminated Groundwater

Petroleum-contaminated groundwater may be encountered at the intersection of Regent St. and Randall Ave. Petroleum-contaminated groundwater will be identified as water that has a sheen or petroleum smell. If such groundwater is encountered, notify the Engineer or Environmental Consultant. Conform with the requirements of Section 205 of the Standard Specifications, pertinent parts of the Wisconsin Administrative Code (Department of Natural Resources Environmental Investigation and Remediation of Environmental Contamination, Chapters NR 700-736), as shown on the construction plan set, and as supplemented herein. Comply with all permit requirements and applicable regulations, and monitor the discharge volume of potentially contaminated water generated as necessary to meet the permit requirements.

The contractor shall discharge petroleum-contaminated water from this intersection or as directed by the Engineer or Environmental Consultant to the sanitary sewer. For the purposes of this project suspended solids shall not be considered a type of contamination. Do not discharge contaminated groundwater without prior approval from the Engineer or City Inspector.

The contractor shall obtain a *City of Madison Permit to Discharge to the Sanitary Sewer* compliant with all local ordinances and state statutes. The permit will require that the Contractor monitor the volume of total water discharged into the sanitary sewer and will determine the necessary reporting frequency. The contact for obtaining this permit is:

Tim Troester  
City of Madison Engineering  
608.267.1995  
[ttroester@cityofmadison.com](mailto:ttroester@cityofmadison.com)

The City's Environmental Consultant will be responsible for obtaining the necessary approvals from the Madison Metropolitan Sewerage District (MMSD) for disposal of potentially contaminated groundwater. This approval will be issued at the same time as the *Permit to Discharge to the Sanitary Sewer*. Submit a dewatering plan to the City of Madison for approval with the application for *Permit to Discharge to the Sanitary Sewer*.

The contact for the City's Environmental Consultant is:

Brynn Bemis  
City of Madison Engineering  
608.267.1986  
[bbemis@cityofmadison.com](mailto:bbemis@cityofmadison.com)

The contractor shall discharge clean water once solids have been settled out (of any type or from any source) to the storm sewer system. For the purposes of this project suspended solids will not be considered a type of contamination.

The contractor shall provide all equipment and personnel necessary to conduct dewatering operations as required for the proper completion of the work. Prepare a dewatering plan and submit it to the engineer for review and approval prior to starting dewatering operations. The plan shall include a description of the proposed dewatering methods and maps or drawings indicating the location of the dewatering facilities and points of surface discharge of the water.

The contractor is solely responsible for choosing a method of water control that is compatible with the constraints defined. The contractor is responsible for the adequacy of the water control system and will take all necessary measures to insure that the water control operation will not endanger or damage any existing adjacent utility or structure.

The contractor shall design, install and operate the method or methods of water control in such a manner as to provide satisfactory working conditions and to maintain the progress of work. Design the methods and systems so as to avoid settlement or damage to adjacent property in accordance with the applicable legislative statutes and judicial decisions of the State of Wisconsin. All required pumping, drainage and disposal of water will be done without damage to adjacent property or structures, or to the operations of other contractors and without interference with the access rights of public or private parties.

Review and approval of the dewatering plan does not relieve the contractor of the dewatering requirements stated in these specifications. The engineer assumes no liability for the performance or safety of the dewatering system.

The contractor shall comply with all local ordinances and state statutes for the disposal of water from dewatering operations. Further, it is the contractor's responsibility to contact the Wisconsin Department of

Natural Resources Private Water Supply Section prior to construction for dewatering discharge requirements and permits and to comply with all conditions of the Department of Natural Resources. In accordance with Paragraph 144.025(2)(e), Wisconsin Statutes, permits are required for all groundwater control wells that singly or in aggregate produce 70 or more gallons per minute. All wells shall be drilled and sealed in accordance with requirements of the WDNR for installing and abandoning wells. The contact for obtaining well permits is:

Wisconsin Department of Natural Resources  
Private Water Supply Section  
Box 7921  
Madison, Wisconsin 53707  
608.261.6421  
<http://dnr.wi.gov/topic/Wells/dewatering.html>

The contractor shall file a copy of the permit with the owner 48 hours prior to commencement of any dewatering.

If free phase petroleum product, such as gasoline floating on the water, is observed during dewatering activities, terminate dewatering activities and notify the Engineer and the Environmental Consultant.

Payment is considered full compensation for furnishing all work necessary for pumping, measuring, settling and discharging water, both clean and potentially contaminated; for paying permit fees required; for eliminating and correcting all flooding or erosion damage caused by dewatering operations.

The City of Madison will pay for any volume charges or disposal fees required by the City of Madison Sanitary Sewer Utility or Madison Metropolitan Sewerage District for the discharge of water into the sanitary sewer system.

**BID ITEM 50354            RECONNECT SANITARY LATERAL**

The first 5 feet of pipe shall be included with this bid item regardless of pipe type or fittings used. Beyond 5' shall be paid for separately Bid Item 50353 SANITARY SEWER LATERAL)

The first 5 feet of sewer lateral pipe/ fittings measured from the sewer main shall be considered the reconnect for all sewer lateral reconnections. Lateral connections connecting to sewer access structures shall be paid for separately as a sanitary tap. 5' of lateral pipe is not considered incidental to the sanitary tap connection.

Laterals were located from City records. Per the City of Madison Standard Specifications for sanitary sewer lateral construction on street reconstruction projects, Contractors are encouraged to begin installation of sanitary lateral pipe at the proposed sewer main. If the Contractor starts excavation for the lateral at the property line, it shall be at the Contractor's risk. No Utility Line Openings (ULOs) will be granted for the inability to locate the sanitary lateral at the property line. Any extra sidewalk removal caused by looking for an existing sanitary lateral at the property line will not be compensated to the Contractor. Contractors are encouraged to have a locator device on-site if they intend to start laying lateral pipe at the property line to minimize the amount of extra sidewalk removal.

Each sanitary lateral shall have a maximum of 4 sidewalk squares and 20' of curb and gutter removed and replaced. No additional compensation shall be awarded beyond this amount for the replacement of a sewer lateral.

**BID ITEM 50390            SEWER ELECTRONIC MARKERS**

With regard to the City of Madison Standard Specifications for Public Works Construction 2015 Edition Section 503.3(c), each sanitary lateral shall have a minimum of two (2) electronic markers with the City providing the Contractor with the required number of electronic markers. For sanitary laterals, which only



include the installation of a wye, a marker ball shall be installed directly above the wye connection to the main.

**BID ITEM 70001      FURNISH & INSTALL 8-INCH PIPE & FITTINGS**

Note that the proposed water main replacements on S Randall Ave and Adams St are located in the same, or near, location of the existing water mains. Do not remove these existing water main segments from service until the temporary water system has been placed into service and all property connections have been completed. After these existing mains have been authorized by the Engineer to be abandoned, construction of the new mains may commence. Removal of the existing water mains on S Randall Ave and Adams St is required and considered to be incidental to this bid item. Dispose of the removed water main, and determine a location to appropriately do so.

At the water main crossings of the existing three-pipe storm sewer near the S Randall Ave/Milton St intersection (~STA 22+75 to 22+95) and the Oakland Ave/Adams St intersection (~STA 65+45 to 65+65), one full-length (min 20-ft) water main pipe shall be centered on the crossing so no pipe or fitting joints are located under the sewer pipes. Use caution and protect the storm sewer during this installation. Any damage to the storm sewer shall be repaired or replaced at no cost to the City of Madison. Flowable backfill is required at these crossings unless otherwise authorized by the Engineer. Flowable backfill shall be considered incidental to the installation in this area.

**BID ITEM 90030      ADJUST STORM SEWER ACCESS STRUCTURE-SPECIAL**

**DESCRIPTION**

Work under this item shall include all work, materials, equipment, and incidentals required to adjust and protect the existing storm sewer structures 4553-078, 4553-079, 4553-080, 4553-081, 4553-082, 4553-083, 4553-084, 4553-085, and 4553-086 on Adams st. These structures are saddled on the existing 34"x57" CMP storm pipes and consist of CMP chimneys with concrete and mortar adjusting rings.

The contractor shall adjust structures in accordance with standard bid item 20501 and article 205.2 of the City of Madison Standard Specifications for Public Works Construction 2015. In addition the contractor shall hydro excavate around the sewer access structure in order to expose the casting, adjusting rings, entire chimney, and at least 50% of the 34"x57" CMP storm sewer pipe. Care shall be used during excavation so as not to damage the CMP pipe, CMP chimney, or adjusting rings. Excavation shall only be done hydraulically with a Vactor type sewer cleaner. No mechanical excavation shall be allowed. Any damage to the structure, pipe, castings, or rings shall be repaired at the contractor's expense. Any damaged rings shall be replaced and compensated for under this item.

After the area around the structure has been excavated, concrete slurry shall be poured around the exposed CMP pipe, to a height equal to or greater than the bottom of the concrete adjusting rings. Slurry shall conform to section 403.12(a) of City of Madison Standard Specifications. Thickness of the concrete slurry shall be no less than 8 inches in all areas.

The concrete slurry shall be allowed to fully cure and the excavated area shall be backfilled with Select Fill and compacted prior to paving.

**METHOD OF MEASUREMENT**

ADJUST STORM SEWER ACCESS STRUCTURE-SPECIAL shall be measured as a complete structure completed in the field.

**BASIS OF PAYMENT**

ADJUST STORM SEWER ACCESS STRUCTURE-SPECIAL shall be measured as described above and shall be paid at the contract price which shall be full compensation for all work set forth in the description above.

**BID ITEM 90031****EXCAVATION AND HAULING OF CONTAMINATED SOIL****DESCRIPTION**

Work under this item shall include all work, materials, equipment, and incidentals required to perform excavation and hauling of petroleum-contaminated soil to the bioremediation facility at the Waste Management Madison Prairie Landfill on 3490 Nelson Road Sun Prairie, WI 53590 (608.837.9031). The City will pay the landfill disposal costs.

Contractor shall perform this work in accordance to standard spec 205 and with pertinent parts of Chapters NR 700-754 of the Wisconsin Administrative Code, as supplemented herein. Per NR 718.07, a solid waste collection and transportation service-operating license is required under NR 502.06 for each vehicle used to transport contaminated soil.

Petroleum-contaminated soil may be encountered around the intersection of Regent St. and Randall Ave. See specific area on utility plan sheets. Specifically, they may be encountered while excavating the stormwater structure S-1. If contaminated soils are encountered here or elsewhere on the project, terminate excavation activities in the area and notify the Engineer or City's Environmental Consultant. The contractor shall perform excavation work in the contaminated area on a continuous basis until excavation work is completed. Do not transport contaminated soil offsite without prior approval from the environmental consultant.

City of Madison Environmental Consultant:

Brynn Bemis  
City of Madison Engineering  
210 Martin Luther King, Jr. Blvd, Rm 115  
608.267.1986  
608.695.1385 (cell)  
bbemis@cityofmadison.com

The role of the environmental consultant will be limited to:

1. Determining the location and limits of contaminated soil based on field screening;
2. Identifying contaminated soils to be hauled to the bioremediation facility;
3. Obtaining the necessary approvals for disposal of contaminated soil from the bioremediation facility.

During excavation activities, expect to encounter soil contaminated with gasoline, diesel fuel, fuel oil, or other petroleum related products. Site workers taking part in activities that will result in the reasonable probability of exposure to safety and health hazards associated with hazardous materials shall have completed health and safety training that meets the Occupational Safety and Health Administration (OSHA) requirements for Hazardous Waste Operations and Emergency Response (HAZWOPER), as provided in 29 CFR 1910.120. Prepare a site-specific Health and Safety Plan, and develop, delineate and enforce the health and safety exclusion zones for each contaminated site location as required by 29 CFR 1910.120.

The contractor shall control operations in the contaminated areas to minimize the quantity of contaminated soil excavated.

The contractor shall directly load and haul contaminated soils as designated on the plans to the DNR-approved bioremediation facility. Use loading and hauling practices that are appropriate to prevent any spills or releases of petroleum-contaminated soils or residues. Prior to transport, sufficiently dewater soils designated for off-site bioremediation so as not to contain free liquids. Any stockpiled soils that must be stored on site overnight shall be placed on and covered with plastic sheeting.

**METHOD OF MEASUREMENT**

Excavation and Hauling of Contaminated Soil shall be measured in tons of contaminated soil accepted by the bioremediation facility as documented by weight tickets generated by the bioremediation facility.

#### **BASIS OF PAYMENT**

Excavation and Hauling of Contaminated Soil shall be paid at the contract price which shall be full compensation for all work set forth in the description above. Payment is full compensation for excavating, segregating, loading, and hauling to the Madison Prairie Landfill; obtaining solid waste collection and transportation service operating licenses; assisting in the collection soil samples for field evaluation if needed; and dewatering of soils prior to transport, if necessary.

#### **BID ITEM 90032      6'x6' CATCHBASIN WITH SNOOT**

#### **DESCRIPTION**

Work under this item shall include furnishing and installing a 6'X6' catchbasin, including the castings noted on the storm schedule. Height of the structures and depths of the sumps shall be as noted on the Storm Sewer Schedule.

Manufacture and installation of precast catchbasins shall conform to the requirements for precast structures contained in Article 507 of the Standard Specifications, and shown on S.D.D. 5.7.5 and 5.7.6. A field-poured bench at the base of the structure is not required. Contractor shall submit Shop drawings for approval by the City, as required by Section 507.3(b) of the Standard Specifications.

The Snout Oil-Water-Debris Separator (Manufactured by Best Management Products, Inc. [www.bmpinc.com](http://www.bmpinc.com)) shall be installed inside the catch basin over the outgoing pipe. Model numbers for the type of Snout to be installed on each catch basin are noted on the Storm Sewer Schedule and shown on the Drawings. Installation of these devices shall be per the manufacturer's recommendations. Manufacturer's recommendations and details of these devices are included with these Special Provisions.

**This item includes the model 24F snout device, provision and installation.**

#### **METHOD OF MEASUREMENT**

6'X6' Catchbasin with Snout shall be measured as a complete unit installed in the field.

#### **BASIS OF PAYMENT**

6'X6' Catchbasin with Snout shall be measured as described above and shall be paid at the contract price which shall be full compensation for all work set forth in the description above and all work described in Section 507.4(b) of the Standard Specifications.

#### **BID ITEM 90070      EXTERNAL SEWER ACCESS STRUCTURE JOINT SEAL**

#### **DESCRIPTION**

Where called out by for on the plan or by the Engineer, barrel joints shall be sealed on sanitary sewer structures around the outside circumference of the Sewer Access Structure. Manhole joint seal shall be minimum of nine (9) inches wide. The seal shall consist of flexible rubberize seal conforming to ASTM C923 held in place with stainless steel compression bands or butyl adhesive tape conforming to ASTM C877 or heat shrink sleeve over visco-elastic adhesive sealant

Acceptable products and manufacturers are the following:

1. Mac Wrap, Mar Mac Manufacturing Company, Inc.
2. NPC External Joint Seal, NPC, Inc.
3. EZ-Wrap, Press-Seal Gasket Corporation
4. Riser-Wrap, Pipeline Seal and Insulator

Alternate manufacturers and products not listed above are subject to pre-approval by the Engineer

## **METHOD OF MEASUREMENT**

Sanitary sewer access structures shall be measured separately as each structure wrapped.

## **BASIS OF PAYMENT**

The contract price shall include furnishing all materials necessary to perform the work, including castings unless specified to include a salvaged casting; excavation; installation and removal of sheeting and bracing; disposal of surplus material from the excavation; backfilling the excavation and compaction of the backfill material; preparation of the foundation; construction of the structure, including connections; cleaning out the structure; restoring the site; and all other work incidental to the installation of sanitary sewer access structures.

## **BID ITEM 90160      PROVIDE TEMPORARY WATER SERVICE**

### **A) DESCRIPTION**

Furnish, install, maintain and remove all temporary bypass pipe; pipe fittings; service lines; hardware; water supply connection backflow preventers and reduced pressure zone devices; water quality tests; temporary hydrants; flushes; sampling taps; disinfections; ramping or burial at road crossings, sidewalks and driveways; preparation and distribution of service interruption notices; restoration; and furnishing all labor, material and equipment necessary to complete work.

Any Madison Water Utility charges associated with the installation, use and removal of the reduced pressure zone (RPZ) valve and water usage will be waived for all work included in this contract. Any use of City of Madison water will still require request and notification procedures indicated in the City of Madison Standard Specifications for Public Works Construction.

The contractor must submit a written and/or drawn plan for the temporary water main bypass to Adam Wiederhoeft of the Water Utility [awiederhoeft@madisonwater.org](mailto:awiederhoeft@madisonwater.org) at least two-weeks prior to the proposed start date of the bypass system installation/assembly.

### **B) MATERIALS**

All materials furnished for use as temporary bypass pipe, service hose, connections and related appurtenances that come into contact with drinking water are to be certified for compliance with ANSI/NSF Standard 61 by an ANSI approved third-party certification program or laboratory. All materials shall be fully adequate to withstand the required water pressure and all other conditions of use, and shall provide adequate water tightness before being put into service. All previously used materials may only have been used in potable water applications.

All materials for use as main temporary bypass lines, service lines, connections and related appurtenances shall have a minimum working pressure rating of 200 psi and be made of materials that will not have an adverse effect on the taste or odor of the water.

The main temporary bypass line must be at least 4-inch diameter and include at least one temporary fire hydrant for each existing system hydrant removed from service. Temporary hydrants shall be placed in approximately the same location as the existing hydrant. If a 4-inch diameter line with temporary hydrants is on one side of a street, or if the existing main segment does not impact existing hydrants, a 2-inch diameter line will be permitted. Use hose or piping that is hydraulically equivalent to the service size for all services.

Temporary fire hydrants shall consist of a 4 inch by 4 inch tee or 4 inch 90° bend, with a butterfly valve connected to the end of the tee or bend, and an operating nut to control the valve. Temporary fire

hydrants shall be equipped with a 4-1/2 inch diameter National Standard threaded nozzle with hydrant cap installed.

### **C) CONSTRUCTION METHODS**

#### **Temporary Water Service:**

Submit a proposed Temporary Water Service plan depicting the proposed components, configuration/locations, protection measures, proposed disinfection methods, and contact information for the Contractor's representative(s) responsible for routine maintenance and emergency response. The Temporary Water Service Plan must be approved by the Engineer before installing any section of the temporary distribution piping.

The temporary bypass system shall maintain a continuous supply of water to all affected customers for the duration of time that the existing main is out-of-service for rehabilitation. The temporary bypass system shall be maintained in a safe and operative condition at all times. For protection of the work and the public, flashers and barricades shall be installed at apt locations and as directed by the Engineer. The flashers and barricades shall be in proper operating condition. Temporary water piping shall be protected from freezing weather at all times.

The work is to be in conformance with the requirements of the Standard Specifications, Provisions and AWWA C602 Cement Mortar Lining of Water Pipelines in Place – 4 In. and Larger, Section 4.6 Temporary Bypass to Customers.

#### **Notification Requirements for Service Interruptions:**

The notice to affected customers shall include the delivery of a door-hanger or similar pamphlet which indicates the date and time of the planned service interruption and, as applicable, the proposed location of temporary service connection and the proposed route of the temporary service line & main bypass line. Include contact information for the Contractor's field representative and the Engineer.

Whenever possible, make connections to the customer's water service line on a day and at a time that is convenient to the customer. Make satisfactory arrangements with the customer so that stop and waste valves shall be accessible at all times. Immediately prior to individual service work, attempt to notify the customer again to verify that all water use has been stopped. Do not interrupt any customer's service until certain that all labor, material and equipment necessary to perform the work are present at the work site. Bear all responsibility for any loss or damage arising out of the failure of any such customer to receive the specified notice of a planned interruption of service.

#### **Emergency Shutdowns and Notifications:**

In the event of a break on a water main, service, bypass pipe, temporary service or other failure of a Madison Water Utility facility, whether the result of Contractor's activities or other unrelated matters, act in accordance with the following procedure:

1. Immediately notify Madison Water Utility's 24-hour Operator at (608) 266-4667 and inform them of the situation, the affected area, estimated duration, and if there is a need for an immediate water main shutdown.
2. The Contractor is NOT to operate any valves unless directly authorized to do so by a Madison Water Utility representative.
3. Notify all residents affected by the emergency service interruption.

#### **Temporary Bypass Water System Set-Up:**

Disinfect the hydrant standpipe prior to connecting the bypass pipe to the hydrant by pouring 1 quart of commercially available bleach (solution containing approximately 5% sodium hypochlorite) into the hydrant. The hydrant shall be filled with clean water and let stand for a minimum of 20 minutes. The hydrant shall then be flushed and the bypass pipe connected to it. All hydrant nozzles shall be capped when not in use.

Whenever possible, install a compliant double-valved tee directly on the 4½-inch hydrant nozzle. One branch of tee shall be used for the temporary bypass connection, and other shall be left without bypass attachments for fire department use. Support, as necessary, all appurtenances attached to hydrant.

All temporary water service connections to hydrants shall be made in such a manner that if it becomes necessary, they can be easily removed so that the hydrant can be used for firefighting purposes, with minimum effort.

When a connection cannot be made on a hydrant, a bulkhead connection may be required. Install compatible bulkheads (temporary line caps) on the existing water main in place of a solid cap or plug fitting to keep the section of the existing water main pressurized and capable of supplying a continuous flow of water. The bulkheads shall be fitted with a compatible outlet fitting so the temporary bypass pipe can be fed through the end of the bulkhead. The coupling shall be slid over the end of the water main, and braced or restrained so that it will support normal operating pressure without leaking.

Temporary valves and hydrants shall be installed on the temporary bypass pipe at all appropriate locations, as designated on an approved Temporary Bypass Service Plan.

Temporary fire hydrants shall be serviceable at all times. Hydrants are subject to inspection at any time by either the Madison Water Utility or the City of Madison Fire Department. If they are found to be unserviceable, immediate correction shall be made.

Completely cover and secure black plastic sheeting around all existing or newly-installed hydrants while they are out-of-service. Maintain the plastic covering until the hydrant is returned to service or removed and salvaged.

Install bypass pipe to minimize or avoid crossing traffic or pedestrian routes whenever possible. Where not possible, provide a ramping system to protect the bypass pipe at each location where pipe crosses roads or driveways. ADA compliance shall be provided at sidewalk or sidewalk ramp crossings per Article 107 of the Standard Specifications.

Water from the temporary bypass pipes will NOT be allowed for any purpose other than to supply the bypass pipes. Water for filling water tanks, or any other purpose other than supplying water to bypass pipes must be obtained from a hydrant with a Madison Water Utility approved backflow preventer installed per Section 107.11 of the Standard Specifications and these Special Provisions.

#### **Bypass System Disinfection:**

All bypass pipes shall be properly disinfected and yield a safe-water sample prior to connecting any customers to the temporary bypass system.

As part of the Temporary Water Service plan described in these Special Provisions, include the proposed disinfection, flushing, and applicable customer notification procedures required for the proposed temporary bypass system. These procedures shall be in accordance with AWWA C651 – Disinfecting Water Mains.

Properly dispose of any highly-chlorinated water in accordance with Article 703 of the Standard Specifications. Sampling and testing are to be done according to the Standard Specifications.

#### **Temporary Customer Service Lines:**

After completing the temporary bypass disinfection per these Special Provisions, thoroughly flush piping to be used for temporary services with potable water immediately prior to connection to consumer's service. Notify consumers prior to shutting off the service and transfer services to the bypass. Do not transfer services to the bypass earlier than necessary.

### **Return Service Line to New Water Main:**

After completion of the water main rehabilitation, clear the water service lines by back flushing with potable water or as otherwise approved in the disinfection and flushing plan. Disconnect the service bypass pipe, restore the water service line back to normal conditions, and restore water flow. All areas used while providing temporary service shall be properly restored to pre-construction status, or as noted.

After flushing is completed and service lines have been restored to the permanent laterals, remove bypass and all associated materials used for maintenance and ramping. Complete restoration of all areas damaged by temporary bypass pipe and service connections.

### **24-Hour Maintenance:**

Be responsible for maintenance and repair of the temporary bypass system and all associated protective equipment (barricades, flashers, ramps etc.) at all times. Be equipped to make all repairs necessary, at the project site, for the duration of the project.

Designate a permanent company employee to maintain the bypass and services. Supply Madison Water Utility with applicable emergency and after hours phone numbers as part of the proposed Temporary Water Service Plan submittal required in these Special Provisions.

### **D) METHOD OF MEASUREMENT**

Water Main Bypass is measured as a Lump Sum to include all materials and work performed as described in these Special Provisions.

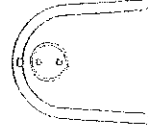
### **E) BASIS OF PAYMENT**

Water Main Bypass shall be paid for at a Lump Sum unit price. Payment of 50% will be authorized after the bypass system has received safe samples and all properties have been connected. The remaining 50% will be authorized for payment after the system has been removed and all properties are served from the new water mains.

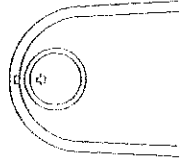


18.00"

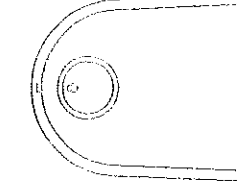
12" F or R\* SERIES



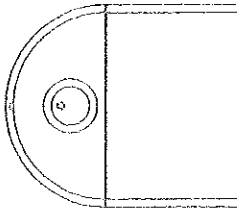
18" F or R\* SERIES



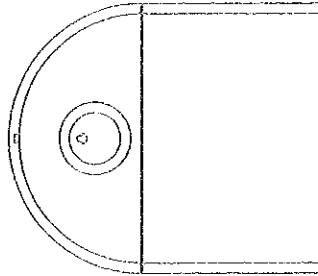
24" F or R\* SERIES



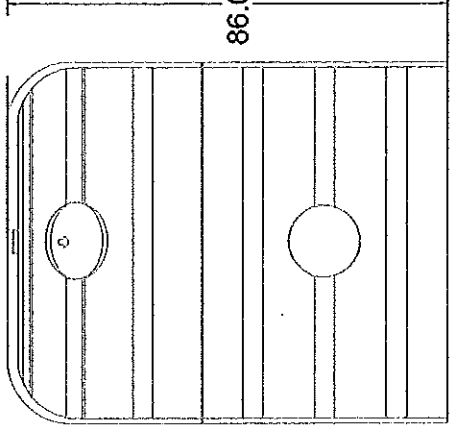
30" F or R\* SERIES



36F 2 PC FLAT ONLY

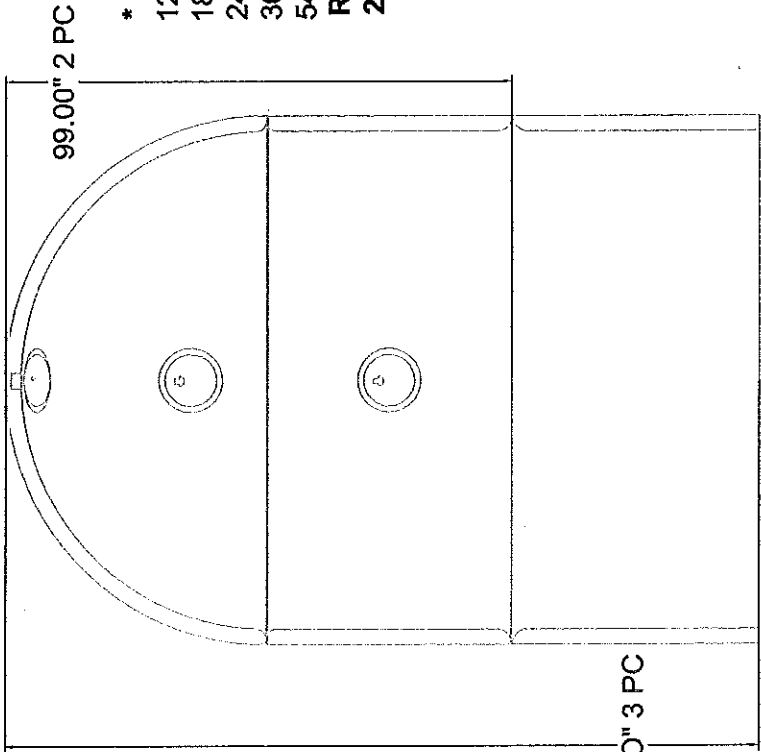


48F 2 PC FLAT ONLY



86.00"

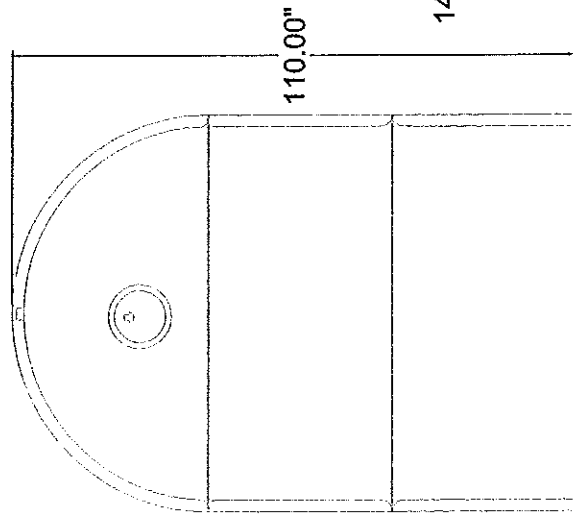
54R/72 2 PC ROUND ONLY (FOR 72" DIAM. STRUCTURE)



99.00" 2 PC

147.00" 3 PC

96F FLAT ONLY 2 PIECE OR 3 PIECE



110.00"

72F FLAT ONLY

**\* R SERIES INSTALLATION NOTE:**  
 12R- FITS 36-48" DIAM. STRUCTURE  
 18R- FITS 48-60" DIAM. STRUCTURE  
 24R- FITS 48-60" DIAM. STRUCTURE  
 30R- FITS 60-72" DIAM. STRUCTURE  
 54R- FITS 72" DIAM. STRUCTURE  
**RECOMMENDED SUMP DEPTH 2.5 TO 3X OUTLET PIPE I.D.**

U.S. PATENT # 6126817 INT'L PATENTS PENDING

**BMP, INC**

53 MT. ARCHER RD., LYME CT 06371  
 (800) 504-8008 FAX: (860) 434-3195

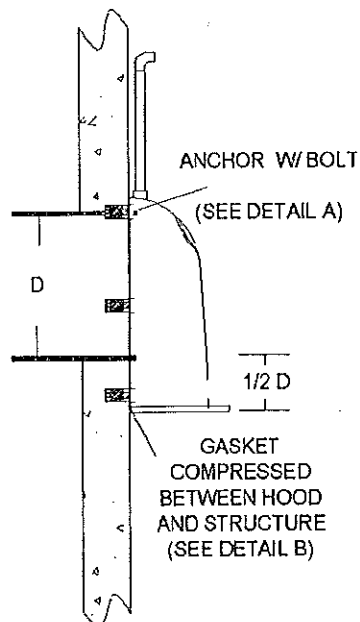
DESCRIPTION	DATE	SCALE
SNOUT SIZE COMPARISON	09/09/05	NONE
DRAWING NUMBER		SN-SIZES



- ❖ Optimally, the structure should be cleaned when the sump is half full (e.g. when 2 feet of material collects in a 4 foot sump, clean it out).
- ❖ Structures should also be cleaned if a spill or other incident causes a larger than normal accumulation of pollutants in a structure.
- ❖ Maintenance is best done with a vacuum truck.
- ❖ If oil absorbent hydrophobic booms are being used in the structure to enhance hydrocarbon capture and removals, they should be checked on a monthly basis, and serviced or replaced when more than 2/3 of the boom is submerged, indicating a nearly saturated state.
- ❖ All collected wastes must be handled and disposed of according to local environmental requirements.
- ❖ To maintain the SNOOT hoods themselves, an annual inspection of the anti-siphon vent and access hatch are recommended. A simple flushing of the vent, or a gentle rodding with a flexible wire are all that's typically needed to maintain the anti-siphon properties. Opening and closing the access hatch once a year ensures a lifetime of trouble-free service.

Further structural design guidelines including CAD drawings, hydraulic spreadsheets, and site inspection and maintenance field reports and installation inspection sheets are available from BMP, Inc.

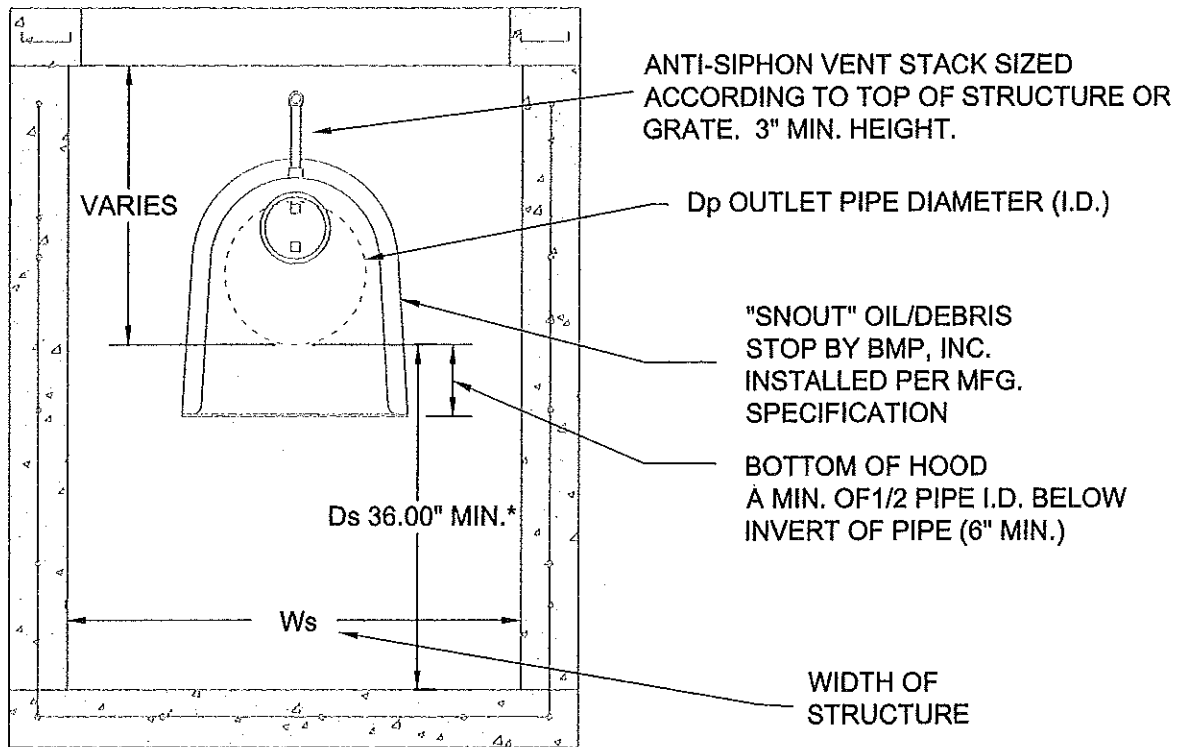
#### Installation Drawing:



#### INSTALLATION NOTE:

POSITION HOOD SUCH THAT BOTTOM FLANGE IS A DISTANCE OF 1/2 OUTLET PIPE DIAMETER (MIN.) BELOW THE PIPE INVERT. MINIMUM DISTANCE FOR PIPES < 12" I.D. IS 6".

# DESIGN PARAMETER GUIDELINES FOR WATER QUALITY IMPROVEMENT



**RULE # 1-** AT AN ABSOLUTE MINIMUM, STRUCTURE INTERNAL DIMENSIONS MUST BE AT LEAST LARGE ENOUGH TO ACCOMODATE EXTERNAL DIMENSIONS OF THE SNOOT, AND ALLOW FOR A PERSON TO INSTALL IT. REFER TO BMP, INC. CAD DETAILS FOR PART DIMENSIONS.

**RULE #2-** USE ONLY "F" SERIES SNOOTS FOR RECTANGULAR OR SQUARE STRUCTURES, AVAILABLE IN 12", 18", 24", 30", 48", 72" AND 96" SIZES. USE ONLY "R" SERIES SNOOTS FOR ROUND STRUCTURES, AVAILABLE IN 12", 18", 24", 30", AND 54" SIZES.

**\*SUMP DEPTH (Ds)-** SUMP DEPTH SHOULD BE A MINIMUM OF 36" FOR ANY NEW CONSTRUCTION FOR PIPES 12" AND LESS. FOR 15"-18" PIPE MIN. DEPTH SHOULD BE 48". OPTIMAL SIZING IS AT LEAST 2.5X TO 3X OUTLET PIPE DIAMETER (Dp) FOR MAXIMUM POLLUTANT REMOVAL EFFICIENCY AND MINIMAL CLEANOUT FREQUENCY.

**STRUCTURE DIMENSIONS-** PLAN DIMENSIONS FOR A STRUCTURE SHOULD BE UP TO 7X AREA OF OUTLET PIPE FOR MAXIMUM POLLUTANT REMOVAL EFFICIENCY AND MINIMAL CLEANOUT FREQUENCY. (SEE "MAINTENANCE CONSIDERATIONS" DOCUMENT FOR MORE INFORMATION)

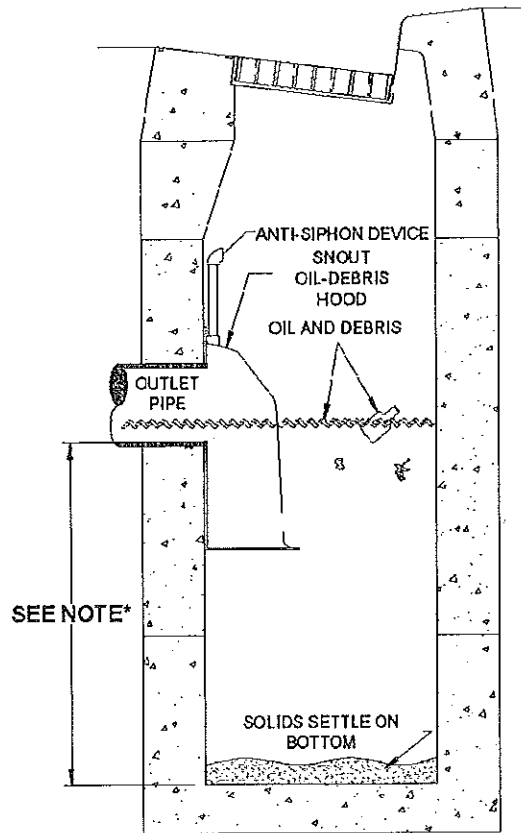
**IMPORTANT NOTICE:** DO NOT CONFUSE PIPE O.D WITH PIPE I.D. A SNOOT FITS OVER A PIPE, NOT IN IT. THUS, SNOOT MUST BE SIZED TO FIT OVER PIPE OPENING IN STRUCTURE. SNOOTS ARE AVAILABLE FOR ROUND STRUCTURES TO ACCOMODATE PIPES OF 54" O.D. MAX. FOR PIPES 54" O.D. AND ABOVE, USE SQUARE OR RECTANGULAR STRUCTURES.

**SIZING EXAMPLES:**

OUTLET HOLE SIZE	SNOOT SIZE
11.9" O.D. OR LESS	12 F or R (R FITS 36"-48" DIAM STRUCTURE)
12.0"-17.9" O.D.	18 F or R (R FITS 48"-60" DIAM STRUCTURE)
18.0"-23.9" O.D.	24 F or R (R FITS 48"-60" DIAM STRUCTURE)
24.0"-29.9" O.D.	30 F or R (R FITS 60"-72" DIAM STRUCTURE)
30.0"-35.9" O.D.	36F
30.0"-47.9" O.D.	48 F
30.0"-53.9" O.D.	54R/72 (FITS 72" DIAM STRUCTURE ONLY)
48.0"-71.9" O.D.	72F
72"-95.9" O.D.	96 F

<b>BMP, INC.</b>		
53 MT. ARCHER ROAD, LYME, CT. 06371 (800) 504-8008 FAX: (860)434-3195		
DESCRIPTION  SNOOT SIZING	DATE 09/09/05	SCALE NONE
	DRAWING NUMBER <b>SP-SI</b>	

### TYPICAL INSTALLATION



\*NOTE- SUMP DEPTH OF 36" MIN. FOR  $\leq$  12" DIAM. OUTLET. FOR OUTLETS  $>$ OR= 16", DEPTH = 2.5-3X DIAM.

### Contact Information:

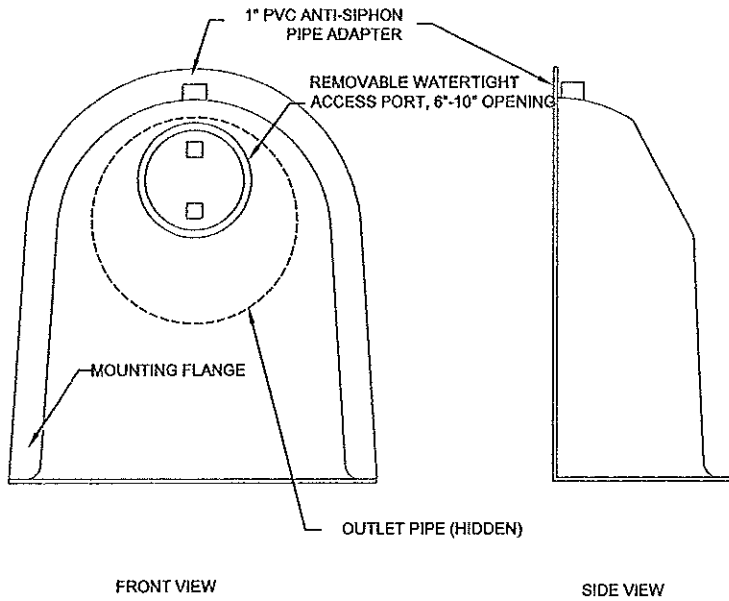
Please contact us if we can offer further assistance. 53 Mt. Archer Rd. Lyme, CT 06371. Technical Assistance: T. J. Mullen (800-504-8008, [tjm@bmpinc.com](mailto:tjm@bmpinc.com)) or Lee Duran (888-434-0277).

Website: [www.bmpinc.com](http://www.bmpinc.com)

**The SNOUT<sup>®</sup> is protected by:**  
US PATENT # 6126817  
CANADIAN PATENT # 2285146

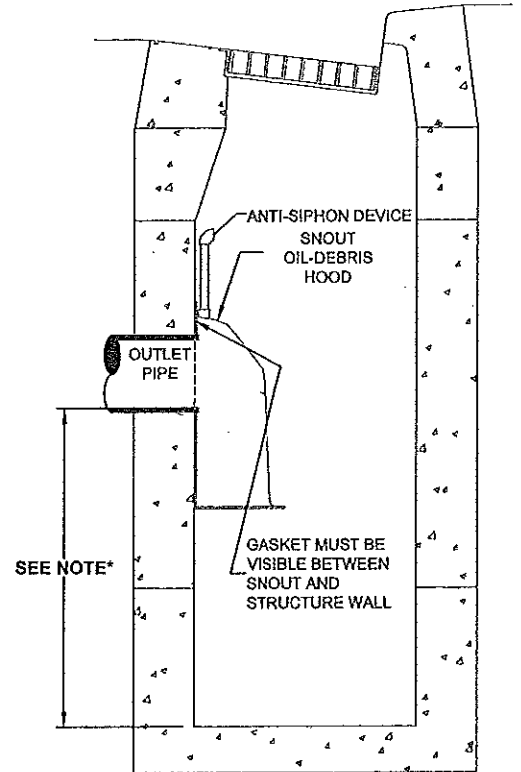
SNOUT<sup>®</sup> is a registered trademark of Best Management Products, Inc.  
Nyloplast<sup>®</sup> is a registered trademark of ADS Structures, Inc.

**CONFIGURATION DETAIL**



**SNOUT OIL-WATER-DEBRIS SEPARATOR**

**TYPICAL INSTALLATION**

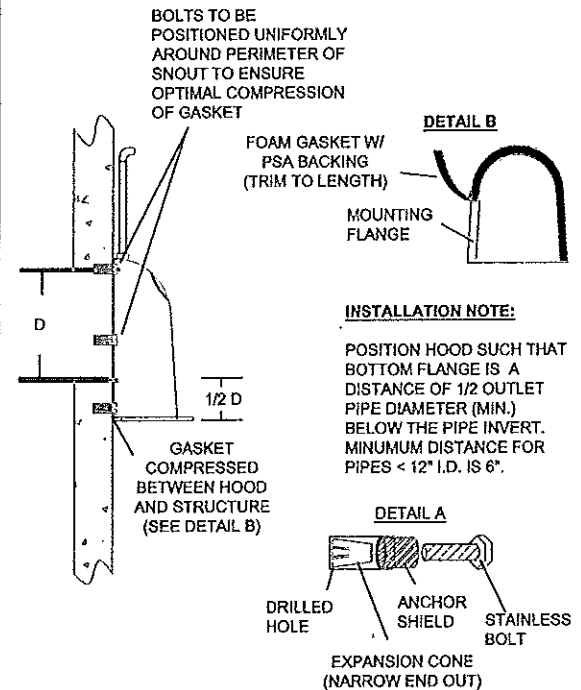


**\*NOTE-** SUMP DEPTH TO BE MIN. OF 2.5 TIMES THE OUTLET PIPE I.D. (E.G. 24\"/>

**INSPECTION REQUIREMENTS:**

1. **MANUFACTURER:** ALL HOODS AND TRAPS FOR CATCH BASINS AND WATER QUALITY STRUCTURES SHALL BE PROVIDED BY:  
**BEST MANAGEMENT PRODUCTS, INC.**  
53 MT. ARCHER RD.  
LYME, CT 06371  
TOLL FREE: (800) 504-8008 OR (877) 434-3197 WEB SITE: www.bmpinc.com
2. **CONFIGURATION:** ALL HOODS SHALL BE EQUIPPED WITH A WATERTIGHT ACCESS PORT, A MOUNTING FLANGE, AND AN ANTI-SIPHON VENT AS DRAWN. (SEE CONFIGURATION DETAIL)
3. **PIPE COVERAGE:** THE SIZE OF THE HOOD SHALL PERMIT THE O.D. OF THE OUTLET PIPE TO BE COVERED COMPLETELY.
4. **HOOD POSITION:** THE BOTTOM OF THE HOOD SHALL EXTEND DOWNWARD A MINIMUM DISTANCE EQUAL TO 1/2 THE OUTLET PIPE I.D. WITH A MINIMUM DISTANCE OF 6\"/>

**INSTALLATION DETAIL**



**INSTALLATION REQUIREMENTS FOR SNOUT HOODS INSTALLED IN STORMWATER QUALITY IMPROVEMENT STRUCTURES**

DESCRIPTION OIL- DEBRIS HOOD INSTALLATION REQUIREMENTS (TYPICAL)	DATE <b>04/13/05</b>	SCALE <b>NONE</b>
	DRAWING NUMBER <b>INRQ-SN</b>	



Legend

⑦ Denotes soil boring location (approximate).

Notes

1. Soil borings performed by Soil Essentials in August 2011.



Date:  
08/11

Job No.  
C11054-24

CGC, Inc.

SOIL BORING LOCATION PLAN  
South Randall Avenue  
Madison, Wisconsin



# LOG OF TEST BORING

Project South Randall Avenue Area  
 Location Randall: 50'N of Bowen, 13'W of Centerline  
Madison, Wisconsin

Boring No. 1  
 Surface Elevation (ft) 93.2\*  
 Job No. C11054-24  
 Sheet 1 of 1

2921 Perry Street, Madison, WI 53713 (608) 288-4100, FAX (608) 288-7887

SAMPLE					VISUAL CLASSIFICATION and Remarks	SOIL PROPERTIES				
No.	TYPE	Rec (in.)	Moist	N		Depth (ft)	qu (qa) (tsf)	W	LL	PL
					6 in. Asphalt Pavement/10 in. Base Course					
1		11	M	6	FILL: Brown Sand with Silt, Gravel and Clay					
2		10	M	2	Very Loose, Dark Brown to Black Organic SILT to Sedimentary PEAT (OL/PT)					
3		13	M	2				35.9		
4		15	M	10	Loose to Medium Dense, Tan Sandy SILT (ML)					
5		16	W	14	Medium Dense, Tan Silty Fine SAND (SM)					
					End Boring at 15 ft					
					Borehole backfilled with bentonite chips					
					**Elevation determined using an assumed datum of 100.0 ft referencing the top nut of a hydrant situated at the intersection of St. James and Randall.					

WATER LEVEL OBSERVATIONS					GENERAL NOTES				
While Drilling	<input checked="" type="checkbox"/>	Upon Completion of Drilling	<u>8.8'</u>		Start	<u>8/30/11</u>	End	<u>8/30/11</u>	
Time After Drilling					Driller	<u>SE</u>	Chief	<u>CRJ</u>	Rig <u>7822</u>
Depth to Water					Logger	<u>CRJ</u>	Editor	<u>ESF</u>	<u>DT</u>
Depth to Cave in					Drill Method	<u>2 1/4" HSA</u>			

The stratification lines represent the approximate boundary between soil types and the transition may be gradual.



# LOG OF TEST BORING

Project South Randall Avenue Area  
 Location Randall: 60'N of Milton, 13'W of Centerline  
Madison, Wisconsin

Boring No. 2  
 Surface Elevation (ft) 93.3\*  
 Job No. C11054-24  
 Sheet 1 of 1

2921 Perry Street, Madison, WI 53713 (608) 288-4100, FAX (608) 288-7887

SAMPLE					VISUAL CLASSIFICATION and Remarks	SOIL PROPERTIES				
No.	TYPE	Rec (in.)	Moist	N		Depth (ft)	qu (qa) (tsf)	W	LL	PL
					5 in. Asphalt Pavement/9 in. Base Course					
1		13	M	4	FILL: Dark Brown and Gray Clay	(0.75)				
2		8	M	1	Very Loose, Dark Brown Sandy Organic SILT (OL) (Possible Buried Topsoil)					
3		14	M	7	Medium Stiff to Stiff, Dark Brown & Gray Sandy Lean CLAY (CL)	(1.0)				
4		15	W	11	Loose to Medium Dense, Tan Fine SAND, Trace to Little Silt and Gravel (SP/SP-SM)					
5		17	W	8	End Boring at 15 ft					
					Borehole backfilled with bentonite chips					
					**Elevation determined using an assumed datum of 100.0 ft referencing the top nut of a hydrant situated at the intersection of St. James and Randall.					

## WATER LEVEL OBSERVATIONS

## GENERAL NOTES

While Drilling  Upon Completion of Drilling 9.1'  
 Time After Drilling \_\_\_\_\_  
 Depth to Water \_\_\_\_\_  
 Depth to Cave in \_\_\_\_\_

Start 8/30/11 End 8/30/11  
 Driller SE Chief CRJ Rig 7822  
 Logger CRJ Editor ESF DT  
 Drill Method 2 1/4" HSA

The stratification lines represent the approximate boundary between soil types and the transition may be gradual.



# LOG OF TEST BORING

Project South Randall Avenue Area  
Randall: 35'N of St. James, 13'W of Centerline  
 Location Madison, Wisconsin

Boring No. 3  
 Surface Elevation (ft) 96.6\*  
 Job No. C11054-24  
 Sheet 1 of 1

2921 Perry Street, Madison, WI 53713 (608) 288-4100, FAX (608) 288-7887

SAMPLE					VISUAL CLASSIFICATION and Remarks	SOIL PROPERTIES				
No.	TYPE	Rec (in.)	Moist	N		Depth (ft)	q <sub>u</sub> (qa) (tsf)	W	LL	PL
					0	6 in. Asphalt Pavement/8 in. Base Course				
1		15	M	9	1	FILL: Brown Clay with Silt, Sand and Gravel				
2		10	M	4	5	Loose to Very Loose, Black Organic SILT (OL) (Possible Buried Topsoil)				
3		15	M	3	10	Stiff to Very Stiff, Gray Lean CLAY (CL)				
4		14	M	17	15	Loose to Medium Dense, Tan Fine SAND, Trace to Little Silt and Gravel (SP/SP-SM)				
5		17	W	10	20	End Boring at 15 ft  Borehole backfilled with bentonite chips  **Elevation determined using an assumed datum of 100.0 ft referencing the top nut of a hydrant situated at the intersection of St. James and Randall.				

WATER LEVEL OBSERVATIONS					GENERAL NOTES				
While Drilling	▽	13.0'	Upon Completion of Drilling	_____	Start	8/30/11	End	8/30/11	
Time After Drilling		_____		_____	Driller	SE	Chief	CRJ	Rig 7822
Depth to Water		_____		_____	Logger	CRJ	Editor	ESF	DT
Depth to Cave in		_____		12.0'	Drill Method	2 1/4" HSA			

The stratification lines represent the approximate boundary between soil types and the transition may be gradual.





# LOG OF TEST BORING

Project South Randall Avenue Area  
Randall: 150'S of Mound, 13'W of Centerline  
 Location Madison, Wisconsin

Boring No. 4  
 Surface Elevation (ft) 106.2\*  
 Job No. C11054-24  
 Sheet 1 of 1

2921 Perry Street, Madison, WI 53713 (608) 288-4100, FAX (608) 288-7887

SAMPLE					VISUAL CLASSIFICATION and Remarks	SOIL PROPERTIES				
No.	TYPE	Rec (in.)	Moist	N		Depth (ft)	q <sub>u</sub> (qa) (tsf)	W	LL	PL
					5	5 in. Asphalt Pavement/8 in. Base Course				
1		14	M	9	5	FILL: Brown Silty Sand with Gravel and Clay				
2		12	M	7	5	Stiff to Very Stiff, Brown Mottled Lean CLAY (CL)				
3		18	M	4	5	Soft to Very Soft near 6 ft				
4		17	M	9	10	Loose, Tan Fine SAND, Trace to Little Silt and Gravel (SP/SP-SM)				
5		16	M	19	15	Medium Dense, Brown Fine to Medium SAND, Some Silt and Gravel, Scattered Cobbles and Boulders (SM)				
End Boring at 15 ft										
Borehole backfilled with bentonite chips										
**Elevation determined using an assumed datum of 100.0 ft referencing the top nut of a hydrant situated at the intersection of St. James and Randall.										

WATER LEVEL OBSERVATIONS					GENERAL NOTES									
While Drilling	∇	NW	Upon Completion of Drilling	NW	Start	8/30/11	End	8/30/11	Driller	SE	Chief	CRJ	Rig	7822
Time After Drilling					Logger	CRJ	Editor	ESF	Drill Method	2 1/4" HSA				
Depth to Water														
Depth to Cave in														

The stratification lines represent the approximate boundary between soil types and the transition may be gradual.



# LOG OF TEST BORING

Project South Randall Avenue Area  
Randall: 150'S of Chandler, 13'W of Centerline  
 Location Madison, Wisconsin

Boring No. 5  
 Surface Elevation (ft) 105.9\*  
 Job No. C11054-24  
 Sheet 1 of 1

2921 Perry Street, Madison, WI 53713 (608) 288-4100, FAX (608) 288-7887

SAMPLE					VISUAL CLASSIFICATION and Remarks	SOIL PROPERTIES				
No.	TYPE Rec (in.)	Moist	N	Depth (ft)		qu (ga) (tsf)	W	LL	PL	LI
					X X	5 in. Asphalt Pavement/10 in. Base Course				
1	15	M	8			Loose to Medium Dense, Brown Sandy SILT, Trace Clay (ML)				
2	12	M	12			Medium Dense, Brown Silty Fine SAND, Some Gravel, Scattered Cobbles (SM)				
				5						
3	14	M	29			Medium Dense to Dense, Brown Fine to Medium SAND, Some Silt and Gravel, Scattered Cobbles and Boulders (SM)				
4	15	M	18			End Boring at 15 ft				
				10						
5	16	M	39			Borehole backfilled with bentonite chips				
				15						
						**Elevation determined using an assumed datum of 100.0 ft referencing the top nut of a hydrant situated at the intersection of St. James and Randall.				
				20						

WATER LEVEL OBSERVATIONS				GENERAL NOTES			
While Drilling	<input checked="" type="checkbox"/> NW	Upon Completion of Drilling	NW	Start	8/30/11	End	8/30/11
Time After Drilling			1/2 hr	Driller	SE	Chief	CRJ Rig 7822
Depth to Water			NW	Logger	CRJ	Editor	ESF DT
Depth to Cave in				Drill Method	2 1/4" HSA		
The stratification lines represent the approximate boundary between soil types and the transition may be gradual.							





# LOG OF TEST BORING

Project South Randall Avenue Area  
Adams: 420'SW of Randall, 12'NW of Centerline  
 Location Madison, Wisconsin

Boring No. 7  
 Surface Elevation (ft) 94.8\*  
 Job No. C11054-24  
 Sheet 1 of 1

2921 Perry Street, Madison, WI 53713 (608) 288-4100, FAX (608) 288-7887

SAMPLE					VISUAL CLASSIFICATION and Remarks	SOIL PROPERTIES				
No.	TYPE	Rec (in.)	Moist	N		Depth (ft)	qu (ga) (tsf)	W	LL	PL
					X	6 in. Asphalt Pavement/6 in Base Course				
1	█	13	M	8	█	FILL: Brown Silty Sand with Gravel and Clay				
					█	Loose to Very Loose, Black Organic SILT to Sedimentary PEAT (OL/PT)				
2	█	12	M	6	█	Stiff, Gray Lean CLAY, Trace Sand (CL)				
					5					
3	█	14	M	8	█	(1.5)				
					5					
4	█	16	W	14	█	Medium Dense, Tan Fine SAND, Trace Silt and Gravel (SP)				
					10					
					10					
5	█	18	W	11	█					
					15					
					15	End Boring at 15 ft				
					15	Borehole backfilled with bentonite chips				
					15	**Elevation determined using an assumed datum of 100.0 ft referencing the top nut of a hydrant situated at the intersection of St. James and Randall.				
					20					

WATER LEVEL OBSERVATIONS	GENERAL NOTES
While Drilling $\nabla$ <u>10.0'</u> Upon Completion of Drilling _____ Time After Drilling _____ Depth to Water _____ Depth to Cave in _____ <u>9.5'</u>	Start <u>8/30/11</u> End <u>8/30/11</u> Driller <u>SE</u> Chief <u>CRJ</u> Rig <u>7822</u> Logger <u>CRJ</u> Editor <u>ESF</u> <u>DT</u> Drill Method <u>2 1/4" HSA</u>
The stratification lines represent the approximate boundary between soil types and the transition may be gradual.	

**SECTION E: BIDDERS ACKNOWLEDGEMENT**

**ADAMS STREET, RANDALL AVENUE AND MOUND STREET RESURFACING  
ASSESSMENT DISTRICT-2015  
CONTRACT NO. 7428**

Bidder must state a Unit Price and Total Bid for each item. The Total Bid for each item must be the product of quantity, by Unit Price. The Grand Total must be the sum of the Total Bids for the various items. In case of multiplication errors or addition errors, the Grand Total with corrected multiplication and/or addition shall determine the Grand Total bid for each contract. The Unit Price and Total Bid must be entered numerically in the spaces provided. All words and numbers shall be written in ink.

1. The undersigned having familiarized himself/herself with the Contract documents, including Advertisement for Bids, Instructions to Bidders, Form of Proposal, City of Madison Standard Specifications for Public Works Construction - 2015 Edition thereto, Form of Agreement, Form of Bond, and Addenda issued and attached to the plans and specifications on file in the office of the City Engineer, hereby proposes to provide and furnish all the labor, materials, tools, and expendable equipment necessary to perform and complete in a workmanlike manner the specified construction on this project for the City of Madison; all in accordance with the plans and specifications as prepared by the City Engineer, including Addenda to the Contract Nos. \_\_\_\_\_ through \_\_\_\_\_ issued thereto, at the prices for said work as contained in this proposal. (Electronic bids submittals shall acknowledge addendum under Section E and shall not acknowledge here)
2. If awarded the Contract, we will initiate action within seven (7) days after notification or in accordance with the date specified in the contract to begin work and will proceed with diligence to bring the project to full completion within the number of work days allowed in the Contract or by the calendar date stated in the Contract.
3. The undersigned Bidder or Contractor certifies that he/she is not a party to any contract, combination in form of trust or otherwise, or conspiracy in restraint of trade or commerce or any other violation of the anti-trust laws of the State of Wisconsin or of the United States, with respect to this bid or contract or otherwise.
4. I hereby certify that I have met the Bid Bond Requirements as specified in Section 102.5. *(IF BID BOND IS USED, IT SHALL BE SUBMITTED ON THE FORMS PROVIDED BY THE CITY. FAILURE TO DO SO MAY RESULT IN REJECTION OF THE BID).*
5. I hereby certify that all statements herein are made on behalf of \_\_\_\_\_ (name of corporation, partnership, or person submitting bid) a corporation organized and existing under the laws of the State of \_\_\_\_\_ a partnership consisting of \_\_\_\_\_; an individual trading as \_\_\_\_\_; of the City of \_\_\_\_\_ State of \_\_\_\_\_; that I have examined and carefully prepared this Proposal, from the plans and specifications and have checked the same in detail before submitting this Proposal; that I have fully authority to make such statements and submit this Proposal in (its, their) behalf; and that the said statements are true and correct.

\_\_\_\_\_  
SIGNATURE

\_\_\_\_\_  
TITLE, IF ANY

Sworn and subscribed to before me this \_\_\_\_\_ day of \_\_\_\_\_, 20\_\_\_\_\_.

\_\_\_\_\_  
(Notary Public or other officer authorized to administer oaths)  
My Commission Expires \_\_\_\_\_

Bidders shall not add any conditions or qualifying statements to this Proposal.

**SECTION F: DISCLOSURE OF OWNERSHIP & BEST VALUE CONTRACTING**  
**ADAMS STREET, RANDALL AVENUE AND MOUND STREET RESURFACING**  
**ASSESSMENT DISTRICT-2015**  
**CONTRACT NO. 7428**

State of Wisconsin  
 Department of Workforce Development  
 Equal Rights Division  
 Labor Standards Bureau

**Disclosure of Ownership**

<p><b>Notice required under Section 15.04(1)(m), Wisconsin Statutes.</b> The statutory authority for the use of this form is prescribed in Sections 66.0903(12)(d) and 103.49(7)(d), Wisconsin Statutes. The use of this form is mandatory. The penalty for failing to complete this form is prescribed in Section 103.005(12), Wisconsin Statutes. Personal information you provide may be used for secondary purposes.</p>			
<p>(1) On the date a contractor submits a bid to or completes negotiations with a state agency or local governmental unit, on a project subject to Section 66.0903 or 103.49, Wisconsin Statutes, the contractor shall disclose to such state agency or local governmental unit the name of any "other construction business", which the contractor, or a shareholder, officer or partner of the contractor, owns or has owned within the preceding three (3) years.</p> <p>(2) The term "other construction business" means any business engaged in the erection, construction, remodeling, repairing, demolition, altering or painting and decorating of buildings, structures or facilities. It also means any business engaged in supplying mineral aggregate, or hauling excavated material or spoil as provided by Sections 66.0903(3), 103.49(2) and 103.50(2), Wisconsin Statutes.</p> <p>(3) This form must <b>ONLY</b> be filed, with the state agency or local governmental unit that will be awarding the contract, if <b>both (A) and (B) are met</b>.</p> <p>(A) The contractor, or a shareholder, officer or partner of the contractor:                  (1) Owns at least a 25% interest in the "other construction business", indicated below, on the date the contractor submits a bid or completes negotiations.                  (2) Or has owned at least a 25% interest in the "other construction business" at any time within the preceding three (3) years.</p> <p>(B) The Wisconsin Department of Workforce Development (DWD) has determined that the "other construction business" has failed to pay the prevailing wage rate or time and one-half the required hourly basic rate of pay, for hours worked in excess of the prevailing hours of labor, to any employee at any time within the preceding three (3) years.</p>			
<b>Other Construction Business</b>			
Not Applicable <input type="checkbox"/>			
Name of Business			
Street Address or P O Box	City	State	Zip Code
Name of Business			
Street Address or P O Box	City	State	Zip Code
Name of Business			
Street Address or P O Box	City	State	Zip Code
<b>I hereby state under penalty of perjury that the information, contained in this document, is true and accurate according to my knowledge and belief.</b>			
Print the Name of Authorized Officer			
Signature of Authorized Officer		Date Signed	
Name of Corporation, Partnership or Sole Proprietorship			
Street Address or P O Box	City	State	Zip Code

**If you have any questions call (608) 266-0028**

ERD-7777-E (R. 09/2003)

**ADAMS STREET, RANDALL AVENUE AND MOUND STREET RESURFACING  
ASSESSMENT DISTRICT-2015  
CONTRACT NO. 7428**

**Best Value Contracting**

1. The Contractor shall indicate the non-apprenticeable trades used on this contract.

---

---

2. Madison General Ordinance (M.G.O.), 33.07(7), does provide for some exemptions from the active apprentice requirement. Apprenticeable trades are those trades considered apprenticeable by the State of Wisconsin. Please check applicable box if you are seeking an exemption.

- Contractor has a total skilled workforce of four or less individuals in all apprenticeable trades combined.
- No available trade training program; The Contractor has been rejected by the only available trade training program, or there is no trade training program within 90 miles.
- Contractor is not using an apprentice due to having a journey worker on layoff status, provided the journey worker was employed by the contractor in the past six months.
- First-time Contractor on City of Madison Public Works contract requests a onetime exemption but intends to comply on all future contracts and is taking steps typical of a "good faith" effort.
- Contractor has been in business less than one year.
- Contractor doesn't have enough journeyman trade workers to qualify for a trade training program in that respective trade

3. The Contractor shall indicate on the following section which apprenticeable trades are to be used on this contract. Compliance with active apprenticeship, to the extent required by M.G.O. 33.07(7), shall be satisfied by documentation from an applicable trade training body; an apprenticeship contract with the Wisconsin Department of Workforce Development or a similar agency in another state; or the U.S Department of Labor. This documentation is required prior to the Contractor beginning work on the project site.

- The Contractor has reviewed the list and shall not use any apprenticeable trades on this project.

**LIST APPRENTICABLE TRADES** (check all that apply to your work to be performed on this contract)

- BRICKLAYER
- CARPENTER
- CEMENT MASON / CONCRETE FINISHER
- CEMENT MASON (HEAVY HIGHWAY)
- CONSTRUCTION CRAFT LABORER
- DATA COMMUNICATION INSTALLER
- ELECTRICIAN
- ENVIRONMENTAL SYSTEMS TECHNICIAN / HVAC SERVICE TECH/HVAC INSTALL / SERVICE
- GLAZIER
- HEAVY EQUIPMENT OPERATOR / OPERATING ENGINEER
- INSULATION WORKER (HEAT & FROST)
- IRON WORKER
- IRON WORKER (ASSEMBLER, METAL BLDGS)
- PAINTER & DECORATOR
- PLASTERER
- PLUMBER
- RESIDENTIAL ELECTRICIAN
- ROOFER & WATER PROOFER
- SHEET METAL WORKER
- SPRINKLER FITTER
- STEAMFITTER
- STEAMFITTER (REFRIGERATION)
- STEAMFITTER (SERVICE)
- TAPER & FINISHER
- TELECOMMUNICATIONS (VOICE, DATA & VIDEO) INSTALLER-TECHNICIAN
- TILE SETTER



## SECTION G: BID BOND

KNOW ALL MEN BY THESE PRESENT, THAT \_\_\_\_\_ (a corporation of the State of \_\_\_\_\_) (individual), (partnership), hereinafter referred to as the "Principal") and \_\_\_\_\_, a corporation of the State of \_\_\_\_\_ (hereinafter referred to as the "Surety") and licensed to do business in the State of Wisconsin, are held and firmly bound unto the City of Madison, (hereinafter referred to as the "Obligee"), in the sum of five per cent (5%) of the amount of the total bid or bids of the Principal herein accepted by the Obligee, for the payment of which the Principal and the Surety bind themselves, their heirs, executors, administrators, successors and assigns, jointly and severally, firmly by these presents.

The conditions of this obligation are such that, whereas the Principal has submitted, to the City of Madison a certain bid, including the related alternate, and substitute bids attached hereto and hereby made a part hereof, to enter into a contract in writing for the construction of:

### **ADAMS STREET, RANDALL AVENUE AND MOUND STREET RESURFACING ASSESSMENT DISTRICT-2015 CONTRACT NO. 7428**

1. If said bid is rejected by the Obligee, then this obligation shall be void.
2. If said bid is accepted by the Obligee and the Principal shall execute and deliver a contract in the form specified by the Obligee (properly completed in accordance with said bid) and shall furnish a bond for his/her faithful performance of said contract, and for the payment of all persons performing labor or furnishing materials in connection therewith, and shall in all other respects perform the agreement created by the acceptance of said bid, then this obligation shall be void.

If said bid is accepted by the Obligee and the Principal shall fail to execute and deliver the contract and the performance and payment bond noted in 2. above executed by this Surety, or other Surety approved by the City of Madison, all within the time specified or any extension thereof, the Principal and Surety agree jointly and severally to forfeit to the Obligee as liquidated damages the sum mentioned above, it being understood that the liability of the Surety for any and all claims hereunder shall in no event exceed the sum of this obligation as stated, and it is further understood that the Principal and Surety reserve the right to recover from the Obligee that portion of the forfeited sum which exceed the actual liquidated damages incurred by the Obligee.

The Surety, for value received, hereby stipulates and agrees that the obligations of said Surety and its bond shall be in no way impaired or affected by an extension of the time within which the Obligee may accept such bid, and said Surety does hereby waive notice of any such extension.

IN WITNESS WHEREOF, the Principal and the Surety have hereunto set their hands and seals, and such of them as are corporations have caused their corporate seals to be hereto affixed and these presents to be signed by their proper officers, on the day and year set forth below.

Seal

\_\_\_\_\_  
Principal

\_\_\_\_\_  
Date

By:

\_\_\_\_\_

\_\_\_\_\_  
Name of Surety

By:

\_\_\_\_\_

\_\_\_\_\_  
Date

This certifies that I have been duly licensed as an agent for the above company in Wisconsin under License No. \_\_\_\_\_ for the year \_\_\_\_\_, and appointed as attorney in fact with authority to execute this bid bond and the payment and performance bond referred to above, which power of attorney has not been revoked.

\_\_\_\_\_  
Date

\_\_\_\_\_  
Agent

\_\_\_\_\_  
Address

\_\_\_\_\_  
City, State and Zip Code

\_\_\_\_\_  
Telephone Number

#### NOTE TO SURETY & PRINCIPAL

The bid submitted which this bond guarantees shall be rejected if the following instrument is not attached to this bond:

Power of Attorney showing that the agent of Surety is currently authorized to execute bonds on behalf of the Surety, and in the amounts referenced above.

## Certificate of Biennial Bid Bond

TIME PERIOD - VALID (FROM/TO)
NAME OF SURETY
NAME OF CONTRACTOR
CERTIFICATE HOLDER <p style="text-align: center;">City of Madison, Wisconsin</p>

This is to certify that a biennial bid bond issued by the above-named Surety is currently on file with the City of Madison.

This certificate is issued as a matter of information and conveys no rights upon the certificate holder and does not amend, extend or alter the coverage of the biennial bid bond.

Cancellation: Should the above policy be cancelled before the expiration date, the issuing Surety will give thirty (30) days written notice to the certificate holder indicated above.

\_\_\_\_\_  
Signature of Authorized Contractor Representative

\_\_\_\_\_  
Date

## SECTION H: AGREEMENT

THIS AGREEMENT made this \_\_\_\_\_ day of \_\_\_\_\_ in the year Two Thousand and Fifteen between \_\_\_\_\_ hereinafter called the Contractor, and the City of Madison, Wisconsin, hereinafter called the City.

WHEREAS, the Common Council of the said City of Madison under the provisions of a resolution adopted \_\_\_\_\_, and by virtue of authority vested in the said Council, has awarded to the Contractor the work of performing certain construction.

NOW, THEREFORE, the Contractor and the City, for the consideration hereinafter named, agree as follows:

1. **Scope of Work.** The Contractor shall, perform the construction, execution and completion of the following listed complete work or improvement in full compliance with the Plans, Specifications, Standard Specifications, Supplemental Specifications, Special Provisions and contract; perform all items of work covered or stipulated in the proposal; perform all altered or extra work; and shall furnish, unless otherwise provided in the contract, all materials, implements, machinery, equipment, tools, supplies, transportation, and labor necessary to the prosecution and completion of the work or improvements:

### ADAMS STREET, RANDALL AVENUE AND MOUND STREET RESURFACING ASSESSMENT DISTRICT-2015 CONTRACT NO. 7428

2. **Completion Date/Contract Time.** Construction work must begin within seven (7) calendar days after the date appearing on mailed written notice to do so shall have been sent to the Contractor and shall be carried on at a rate so as to secure full completion SEE SPECIAL PROVISIONS, the rate of progress and the time of completion being essential conditions of this Agreement.
3. **Contract Price.** The City shall pay to the Contractor at the times, in the manner and on the conditions set forth in said specifications, the sum of \_\_\_\_\_ (\$\_\_\_\_\_) Dollars being the amount bid by such Contractor and which was awarded to him/her as provided by law.
4. **Wage Rates for Employees of Public Works Contractors**

**General and Authorization.** The Contractor shall compensate its employees at the prevailing wage rate in accordance with section 66.0903, Wis. Stats., DWD 290 of the Wisconsin Administrative Code and as hereinafter provided unless otherwise noted in Section D: Special Provisions, Subsection 102.10 – Minimum Rate of Wage Scale.

“Public Works” shall include building or work involving the erection, construction, remodeling, repairing or demolition of buildings, parking lots, highways, streets, bridges, sidewalks, street lighting, traffic signals, sanitary sewers, water mains and appurtenances, storm sewers, and the grading and landscaping of public lands.

“Building or work” includes construction activity as distinguished from manufacturing, furnishing of materials, or servicing and maintenance work, except for the delivery of mineral aggregate such as sand, gravel, bituminous asphaltic concrete or stone which is incorporated into the work under contract with the City by depositing the material directly in final place from transporting vehicle.

“Erection, construction, remodeling, repairing” means all types of work done on a particular building or work at the site thereof in the construction or development of the project, including without limitation, erecting, construction, remodeling, repairing, altering, painting, and decorating, the transporting of materials and supplies to or from the building or work done by the employees of the Contractor, Subcontractor, or Agent thereof, and the manufacturing or furnishing of

materials, articles, supplies or equipment on the site of the building or work, by persons employed by the Contractor, Subcontractor, or Agent thereof.

"Employees working on the project" means laborers, workers, and mechanics employed directly upon the site of work.

"Laborers, Workers, and Mechanics" include pre-apprentices, helpers, trainees, learners and properly registered and indentured apprentices but exclude clerical, supervisory, and other personnel not performing manual labor.

**Establishment of Wage Rates.** The Department of Public Works shall periodically obtain a current schedule of prevailing wage rates from DWD. The schedule shall be used to establish the City of Madison Prevailing Wage Rate Schedule for Public Works Construction (prevailing wage rate). The Department of Public Works may include known increases to the prevailing wage rate which can be documented and are to occur on a future specific date. The prevailing wage rate shall be included in public works contracts subsequently negotiated or solicited by the City. Except for known increases contained within the schedule, the prevailing wage rate shall not change during the contract. The approved wage rate is attached hereto.

**Workforce Profile.** The Contractor shall, at the time of signature of the contract, notify the City Engineer in writing of the names and classifications of all the employees of the Contractor, Subcontractors, and Agents proposed for the work. In the alternative, the Contractor shall submit in writing the classifications of all the employees of the Contractor, Subcontractors and Agents and the total number of hours estimated in each classification for the work. This workforce profile(s) shall be reviewed by the City Engineer who may, within ten (10) days, object to the workforce profile(s) as not being reflective of that which would be required for the work. The Contractor may request that the workforce profile, or a portion of the workforce profile, be submitted after the signature of the contract but at least ten (10) days prior to the work commencing. Any costs or time loss resulting from modifications to the workforce profile as a result of the City Engineer's objections shall be the responsibility of the Contractor.

**Payrolls and Records.** The Contractor shall keep weekly payroll records setting forth the name, address, telephone number, classification, wage rate and fringe benefit package of all the employees who work on the contract, including the employees of the Contractor's subcontractors and agents. Such weekly payroll records must include the required information for all City contracts and all other contracts on which the employee worked during the week in which the employee worked on the contract. The Contractor shall also keep records of the individual time each employee worked on the project and for each day of the project. Such records shall also set forth the total number of hours of overtime credited to each such employee for each day and week and the amount of overtime pay received in that week. The records shall set forth the full weekly wages earned by each employee and the actual hourly wage paid to the employee.

The Contractor shall submit the weekly payroll records, including the records of the Contractor's subcontractors and agents, to the City Engineer for every week that work is being done on the contract. The submittal shall be within twenty-one (21) calendar days of the end of the Contractor's weekly pay period.

Employees shall receive the full amounts accrued at the time of the payment, computed at rates not less than those stated in the prevailing wage rate and each employee's rate shall be determined by the work that is done within the trade or occupation classification which should be properly assigned to the employee.

An employee's classification shall not be changed to a classification of a lesser rate during the contract. If, during the term of the contract, an employee works in a higher pay classification than the one which was previously properly assigned to the employee, then that employee shall be considered to be in the higher pay classification for the balance of the contract, receive the appropriate higher rate of pay, and she/he shall not receive a lesser rate during the balance of the

contract. For purposes of clarification, it is noted that there is a distinct difference between working in a different classification with higher pay and doing work within a classification that has varying rates of pay which are determined by the type of work that is done within the classification. For example, the classification "Operating Engineer" provides for different rates of pay for various classes of work and the Employer shall compensate an employee classified as an "Operating Engineer" based on the highest class of work that is done in one day. Therefore, an "Operating Engineer's" rate may vary on a day to day basis depending on the type of work that is done, but it will never be less than the base rate of an "Operating Engineer". Also, as a matter of clarification, it is recognized that an employee may work in a higher paying classification merely by chance and without prior intention, calculation or design. If such is the case and the performance of the work is truly incidental and the occurrence is infrequent, inconsequential and does not serve to undermine the single classification principle herein, then it may not be required that the employee be considered to be in the higher pay classification and receive the higher rate of pay for the duration of the contract. However, the Contractor is not precluded or prevented from paying the higher rate for the limited time that an employee performs work that is outside of the employee's proper classification.

Questions regarding an employee's classification, rate of pay or rate of pay within a classification, shall be resolved by reference to the established practice that predominates in the industry and on which the trade or occupation rate/classification is based. Rate of pay and classification disputes shall be resolved by relying upon practices established by collective bargaining agreements and guidelines used in such determination by appropriate recognized trade unions operating within the City of Madison.

The Contractor, its Subcontractors and Agents shall submit to interrogation regarding compliance with the provisions of this ordinance.

Mulcting of the employees by the Contractor, Subcontractor, and Agents on Public Works contracts, such as by kickbacks or other devices, is prohibited. The normal rate of wage of the employees of the Contractor, Subcontractor, and Agents shall not be reduced or otherwise diminished as a result of payment of the prevailing wage rate on a public works contract.

**Hourly contributions.** Hourly contributions shall be determined in accordance with the prevailing wage rate and with DWD. 290.01(10), Wis. Admin. Code.

**Apprentices and Subjourney persons.** Apprentices and sub journeypersons performing work on the project shall be compensated in accordance with the prevailing wage rate and with DWD 290.02, and 290.025, respectively, Wis. Admin. Code.

**Straight Time Wages.** The Contractor may pay straight time wages as determined by the prevailing wage rate and DWD 290.04, Wis. Admin. Code.

**Overtime Wages.** The Contractor shall pay overtime wages as required by the prevailing wage rate and DWD 290.05, Wis. Admin. Code.

**Posting of Wage Rates and Hours.** A clearly legible copy of the prevailing wage rate, together with the provisions of Sec. 66.0903(10)(a) and (11)(a), Wis. Stats., shall be kept posted in at least one conspicuous and easily accessible place at the project site by the Contractor and such notice shall remain posted during the full time any laborers, workers or mechanics are employed on the contract.

**Evidence of Compliance by Contractor.** Upon completion of the contract, the Contractor shall file with the Department of Public Works an affidavit stating:

- a. That the Contractor has complied fully with the provisions and requirements of Sec. 66.0903(3), Wis. Stats., and Chapter DWD 290, Wis. Admin. Code; the Contractor has received evidence of compliance from each of the agents and subcontractors; and the

names and addresses of all of the subcontractors and agents who worked on the contract.

- b. That full and accurate records have been kept, which clearly indicate the name and trade or occupation of every laborer, worker or mechanic employed by the Contractor in connection with work on the project. The records shall show the number of hours worked by each employee and the actual wages paid therefore; where these records will be kept and the name, address and telephone number of the person who will be responsible for keeping them. The records shall be retained and made available for a period of at least three (3) years following the completion of the project of public works and shall not be removed without prior notification to the municipality.

**Evidence of Compliance by Agent and Subcontractor.** Each agent and subcontractor shall file with the Contractor, upon completion of their portion of the work on the contract an affidavit stating that all the provisions of Sec. 66.0903(3), Wis. Stats., have been fully complied with and that full and accurate records have been kept, which clearly indicate the name and trade or occupation of every laborer, worker or mechanic employed by the Contractor in connection with work on the project. The records shall show the number of hours worked by each employee and the actual wages paid therefore; where these records shall be kept and the name, address and telephone number of the person who shall be responsible for keeping them. The records shall be retained and made available for a period of at least three (3) years following the completion of the project of public works and shall not be removed without prior notification to the municipality.

**Failure to Comply with the Prevailing Wage Rate.** If the Contractor fails to comply with the prevailing wage rate, she/he shall be in default on the contract. In addition, if DWD finds that a contractor or subcontractor violated the prevailing wage law, DWD will assess liquidated damages of 100% of the wages owed to employees.

**Establishment of Wage Rates.** The Department of Public Works shall periodically obtain a current schedule of prevailing wage rates from DWD. The schedule shall be used to establish the City of Madison Prevailing Wage Rate Schedule for Public Works Construction (prevailing wage rate). The Department of Public Works may include known increases to the prevailing wage rate which can be documented and are to occur on a future specific date. The prevailing wage rate shall be included in public works contracts subsequently negotiated or solicited by the City. Except for known increases contained within the schedule, the prevailing wage rate shall not change during the contract. The approved wage rate and DWD prevailing wage requirements are attached hereto as Sec. I of the contract.

5. **Affirmative Action.** In the performance of the services under this Agreement the Contractor agrees not to discriminate against any employee or applicant because of race, religion, marital status, age, color, sex, disability, national origin or ancestry, income level or source of income, arrest record or conviction record, less than honorable discharge, physical appearance, sexual orientation, gender identity, political beliefs, or student status. The Contractor further agrees not to discriminate against any subcontractor or person who offers to subcontract on this contract because of race, religion, color, age, disability, sex, sexual orientation, gender identity or national origin.

The Contractor agrees that within thirty (30) days after the effective date of this agreement, the Contractor will provide to the City Affirmative Action Division certain workforce utilization statistics, using a form to be furnished by the City.

If the contract is still in effect, or if the City enters into a new agreement with the Contractor, within one year after the date on which the form was required to be provided, the Contractor will provide updated workforce information using a second form, also to be furnished by the City. The second form will be submitted to the City Affirmative Action Division no later than one year after the date on which the first form was required to be provided.

The Contractor further agrees that, for at least twelve (12) months after the effective date of this contract, it will notify the City Affirmative Action Division of each of its job openings at facilities in Dane County for which applicants not already employees of the Contractor are to be considered. The notice will include a job description, classification, qualifications and application procedures and deadlines. The Contractor agrees to interview and consider candidates referred by the Affirmative Action Division if the candidate meets the minimum qualification standards established by the Contractor, and if the referral is timely. A referral is timely if it is received by the Contractor on or before the date started in the notice.

## Articles of Agreement

### Article I

The Contractor shall take affirmative action in accordance with the provisions of this contract to insure that applicants are employed, and that employees are treated during employment without regard to race, religion, color, age, marital status, disability, sex, sexual orientation, gender identity or national origin and that the employer shall provide harassment free work environment for the realization of the potential of each employee. Such action shall include, but not be limited to, the following: employment, upgrading, demotion or transfer, recruitment or recruitment advertising, layoff or termination, rates of pay or other forms of compensation and selection for training including apprenticeship insofar as it is within the control of the Contractor. The Contractor agrees to post in conspicuous places available to employees and applicants notices to be provided by the City setting out the provisions of the nondiscrimination clauses in this contract.

### Article II

The Contractor shall in all solicitations or advertisements for employees placed by or on behalf of the Contractors state that all qualified or qualifiable applicants will be employed without regard to race, religion, color, age, marital status, disability, sex, sexual orientation, gender identity or national origin.

### Article III

The Contractor shall send to each labor union or representative of workers with which it has a collective bargaining agreement or other contract or understanding a notice to be provided by the City advising the labor union or worker's representative of the Contractor's equal employment opportunity and affirmative action commitments. Such notices shall be posted in conspicuous places available to employees and applicants for employment.

### Article V

The Contractor agrees that it will comply with all provisions of the Affirmative Action Ordinance of the City of Madison, including the contract compliance requirements. The Contractor agrees to submit the model affirmative action plan for public works contractors in a form approved by the Affirmative Action Division Manager.

### Article VI

The Contractor will maintain records as required by Section 39.02(9)(f) of the Madison General Ordinances and will provide the City Affirmative Action Division with access to such records and to persons who have relevant and necessary information, as provided in Section 39.02(9)(f). The City agrees to keep all such records confidential, except to the extent that public inspection is required by law.



## Article VII

In the event of the Contractor's or subcontractor's failure to comply with the Equal Employment Opportunity and Affirmative Action Provisions of this contract or Section 39.03 and 39.02 of the Madison General Ordinances, it is agreed that the City at its option may do any or all of the following:

1. Cancel, terminate or suspend this Contract in whole or in part.
2. Declare the Contractor ineligible for further City contracts until the Affirmative Action requirements are met.
3. Recover on behalf of the City from the prime Contractor 0.5 percent of the contract award price for each week that such party fails or refuses to comply, in the nature of liquidated damages, but not to exceed a total of five percent (5%) of the contract price, or five thousand dollars (\$5,000), whichever is less. Under public works contracts, if a subcontractor is in noncompliance, the City may recover liquidated damages from the prime Contractor in the manner described above. The preceding sentence shall not be construed to prohibit a prime Contractor from recovering the amount of such damage from the non-complying subcontractor.

## Article VIII

The Contractor shall include the above provisions of this contract in every subcontract so that such provisions will be binding upon each subcontractor. The Contractor shall take such action with respect to any subcontractor as necessary to enforce such provisions, including sanctions provided for noncompliance.

## Article IX

The Contractor shall allow the maximum feasible opportunity to small business enterprises to compete for any subcontracts entered into pursuant to this contract. (In federally funded contracts the terms "DBE, MBE and WBE" shall be substituted for the term "small business" in this Article.)

6. Substance Abuse Prevention Program Required. Prior to commencing work on the Contract, the Contractor, and any Subcontractor, shall have in place a written program for the prevention of substance abuse among its employees as required under Wis. Stat. Sec. 103.503.

**ADAMS STREET, RANDALL AVENUE AND MOUND STREET RESURFACING  
ASSESSMENT DISTRICT-2015  
CONTRACT NO. 7428**

IN WITNESS WHEREOF, the Contractor has hereunto set his/her hand and seal and the City has caused these presents to be sealed with its corporate seal and to be subscribed by its Mayor and City Clerk the day and year first above written.

Countersigned:

	Company Name
Witness	Date
Witness	Date
	President
Witness	Date
	Secretary
Witness	Date

CITY OF MADISON, WISCONSIN

Provisions have been made to pay the liability that will accrue under this contract.

Approved as to form:

Finance Director	City Attorney
Signed this _____ day of _____, 20_____	
Witness	Date
Witness	Date
	Mayor
Witness	Date
	City Clerk
Witness	Date

**SECTION I: PAYMENT AND PERFORMANCE BOND**

KNOW ALL MEN BY THESE PRESENTS, that we \_\_\_\_\_  
as \_\_\_\_\_ principal, \_\_\_\_\_ and

Company of \_\_\_\_\_ as surety, are held and firmly bound unto the City of Madison, Wisconsin, in the sum of \_\_\_\_\_ (\$\_\_\_\_\_) Dollars, lawful money of the United States, for the payment of which sum to the City of Madison, we hereby bind ourselves and our respective executors and administrators firmly by these presents.

The condition of this Bond is such that if the above bounden shall on his/her part fully and faithfully perform all of the terms of the Contract entered into between him/herself and the City of Madison for the construction of:

**ADAMS STREET, RANDALL AVENUE AND MOUND STREET RESURFACING  
ASSESSMENT DISTRICT-2015  
CONTRACT NO. 7428**

in Madison, Wisconsin, and shall pay all claims for labor performed and material furnished in the prosecution of said work, and save the City harmless from all claims for damages because of negligence in the prosecution of said work, and shall save harmless the said City from all claims for compensation (under Chapter 102, Wisconsin Statutes) of employees and employees of subcontractor, then this Bond is to be void, otherwise of full force, virtue and effect.

Signed and sealed this \_\_\_\_\_ day of \_\_\_\_\_

Countersigned:

\_\_\_\_\_  
Company Name (Principal)

\_\_\_\_\_  
Witness

\_\_\_\_\_  
President Seal

\_\_\_\_\_  
Secretary

Approved as to form:

\_\_\_\_\_  
Surety Seal  
 Salary Employee       Commission

\_\_\_\_\_  
City Attorney

By \_\_\_\_\_  
Attorney-in-Fact

This certifies that I have been duly licensed as an agent for the above company in Wisconsin under License No. \_\_\_\_\_ for the year 20\_\_\_\_\_, and appointed as attorney-in-fact with authority to execute this payment and performance bond which power of attorney has not been revoked.

\_\_\_\_\_  
Date

\_\_\_\_\_  
Agent Signature

## SECTION J: PREVAILING WAGE RATES

**PREVAILING WAGE RATE DETERMINATION**

Issued by the State of Wisconsin  
Department of Workforce Development  
Pursuant to s. 66.0903, Wis. Stats.  
Issued On: 1/7/2015

**DETERMINATION NUMBER:** 201500014

**EXPIRATION DATE:** Prime Contracts MUST Be Awarded or Negotiated On Or Before 12/31/2015. If NOT, You MUST Reapply.

**PROJECT NAME:** ALL PUBLIC WORKS PROJECTS UNDER SEC. 66.0903, STATS-CITY OF MADISON

**PROJECT LOCATION:** MADISON CITY, DANE COUNTY, WI

**CONTRACTING AGENCY:** CITY OF MADISON - ENGINEERING

<b>CLASSIFICATION:</b>	Contractors are responsible for correctly classifying their workers. Either call the Department of Workforce Development (DWD) with trade or classification questions or consult DWD's Dictionary of Occupational Classifications & Work Descriptions on the DWD website at: <a href="http://dwd.wisconsin.gov/er/prevailing_wage_rate/Dictionary/dictionary_main.htm">dwd.wisconsin.gov/er/prevailing_wage_rate/Dictionary/dictionary_main.htm</a> .
<b>OVERTIME:</b>	<p>Time and one-half must be paid for all hours worked:</p> <ul style="list-style-type: none"><li>- over 10 hours per day on prevailing wage projects</li><li>- over 40 hours per calendar week</li><li>- Saturday and Sunday</li><li>- on all of the following holidays: January 1; the last Monday in May; July 4; the 1st Monday in September; the 4th Thursday in November; December 25;</li><li>- The day before if January 1, July 4 or December 25 falls on a Saturday;</li><li>- The day following if January 1, July 4 or December 25 falls on a Sunday.</li></ul> <p>Apply the time and one-half overtime calculation to whichever is higher between the Hourly Basic Rate listed on this project determination or the employee's regular hourly rate of pay. Add any applicable Premium or DOT Premium to the Hourly Basic Rate before calculating overtime.</p> <p>A DOT Premium (discussed below) may supersede this time and one-half requirement.</p>
<b>FUTURE INCREASE:</b>	When a specific trade or occupation requires a future increase, you MUST add the full hourly increase to the "TOTAL" on the effective date(s) indicated for the specific trade or occupation.
<b>PREMIUM PAY:</b>	If indicated for a specific trade or occupation, the full amount of such pay MUST be added to the "HOURLY BASIC RATE OF PAY" indicated for such trade or occupation, whenever such pay is applicable.
<b>DOT PREMIUM:</b>	This premium only applies to highway and bridge projects owned by the Wisconsin Department of Transportation and to the project type heading "Airport Pavement or State Highway Construction." DO NOT apply the premium calculation under any other project type on this determination.
<b>APPRENTICES:</b>	Pay apprentices a percentage of the applicable journey person's hourly basic rate of pay and hourly fringe benefit contributions specified in this determination. Obtain the appropriate percentage from each apprentice's contract or indenture.
<b>SUBJOURNEY:</b>	Subjourney wage rates may be available for some of the trades or occupations indicated below with the exception of laborers, truck drivers and heavy equipment operators. Any employer interested in using a subjourney classification on this project MUST complete Form ERD-10880 and request the applicable wage rate from the Department of Workforce Development PRIOR to using the subjourney worker on this project.

This document **MUST BE POSTED** by the **CONTRACTING AGENCY** in at least one conspicuous and easily accessible place **on the site of the project**. A local governmental unit may post this document at the place normally used to post public notices if there is no common site on the project. This document **MUST** remain posted during the entire time any worker is employed on the project and **MUST** be physically incorporated into the specifications and all contracts and subcontracts. If you have any questions, please write to the Equal Rights Division, Labor Standards Bureau, P.O. Box 8928, Madison, Wisconsin 53708 or call (608) 266-6861.

---

**The following statutory provisions apply to local governmental unit projects of public works and are set forth below pursuant to the requirements of s. 66.0903(8), Stats.**

**s. 66.0903 (1) (f) & s. 103.49 (1) (c) "PREVAILING HOURS OF LABOR"** for any trade or occupation in any area means 10 hours per day and 40 hours per week and may not include any hours worked on a Saturday or Sunday or on any of the following holidays:

1. January 1.
2. The last Monday in May.
3. July 4.
4. The first Monday in September.
5. The 4th Thursday in November.
6. December 25.
7. The day before if January 1, July 4 or December 25 falls on a Saturday.
8. The day following if January 1, July 4 or December 25 falls on a Sunday.

**s. 66.0903 (10) RECORDS; INSPECTION; ENFORCEMENT.**

(a) Each contractor, subcontractor, or contractor's or subcontractor's agent performing work on a project of public works that is subject to this section shall keep full and accurate records clearly indicating the name and trade or occupation of every person performing the work described in sub. (4) and an accurate record of the number of hours worked by each of those persons and the actual wages paid for the hours worked.

**s. 66.0903 (11) LIABILITY AND PENALTIES.**

(a) 1. Any contractor, subcontractor, or contractor's or subcontractor's agent who fails to pay the prevailing wage rate determined by the department under sub. (3) or who pays less than 1.5 times the hourly basic rate of pay for all hours worked in excess of the prevailing hours of labor is liable to any affected employee in the amount of his or her unpaid wages or his or her unpaid overtime compensation and in an additional amount as liquidated damages as provided under subd. 2., 3., whichever is applicable.

2. If the department determines upon inspection under sub. (10) (b) or (c) that a contractor, subcontractor, or contractor's or subcontractor's agent has failed to pay the prevailing wage rate determined by the department under sub. (3) or has paid less than 1.5 times the hourly basic rate of pay for all hours worked in excess of the prevailing hours of labor, the department shall order the contractor to pay to any affected employee the amount of his or her unpaid wages or his or her unpaid overtime compensation and an additional amount equal to 100 percent of the amount of those unpaid wages or that unpaid overtime compensation as liquidated damages within a period specified by the department in the order.

3. In addition to or in lieu of recovering the liability specified in subd. 1. as provided in subd. 2., any employee for and in behalf of that employee and other employees similarly situated may commence an action to recover that liability in any court of competent jurisdiction. If the court finds that a contractor, subcontractor, or contractor's or subcontractor's agent has failed to pay the prevailing wage rate determined by the department under sub. (3) or has paid less than 1.5 times the hourly basic rate of pay for all hours worked in excess of the prevailing hours of labor, the court shall order the contractor, subcontractor, or agent to pay to any affected employee the amount of his or her unpaid wages or his or her unpaid overtime compensation and an additional amount equal to 100 percent of the amount of those unpaid wages or that unpaid overtime compensation as liquidated damages.

5. No employee may be a party plaintiff to an action under subd. 3. unless the employee consents in writing to become a party and the consent is filed in the court in which the action is brought. Notwithstanding s. 814.04 (1), the court shall, in addition to any judgment awarded to the plaintiff, allow reasonable attorney fees and costs to be paid by the defendant.

<b>BUILDING OR HEAVY CONSTRUCTION</b>
---------------------------------------

Includes sheltered enclosures with walk-in access for the purpose of housing persons, employees, machinery, equipment or supplies and non-sheltered work such as canals, dams, dikes, reservoirs, storage tanks, etc. A sheltered enclosure need not be "habitable" in order to be considered a building. The installation of machinery and/or equipment, both above and below grade level, does not change a project's character as a building. On-site grading, utility work and landscaping are included within this definition. Residential buildings of four (4) stories or less, agricultural buildings, parking lots and driveways are NOT included within this definition.

---

**SKILLED TRADES**

---

<b>Fringe Benefits Must Be Paid On <u>All</u> Hours Worked</b>		<b>HOURLY BASIC RATE OF PAY</b>	<b>HOURLY FRINGE BENEFITS</b>	<b>TOTAL</b>
<b>CODE</b>	<b>TRADE OR OCCUPATION</b>	<b>\$</b>	<b>\$</b>	<b>\$</b>
101	Acoustic Ceiling Tile Installer Future Increase(s): Add \$1.42/hr on 6/1/2015; Add \$1.42/hr on 6/1/2016.	32.72	16.00	48.72
102	Boilermaker Future Increase(s): Add \$1.50/hr. on 01/01/2016	33.35	28.24	61.59
103	Bricklayer, Blocklayer or Stonemason Future Increase(s): Add \$1.40 on 06/01/2015; Add \$1.45 on 06/06/2016 Premium Increase(s): DOT PREMIUM: Pay two times the hourly basic rate on Sunday, New Year's Day, Memorial Day, Independence Day, Labor Day, Thanksgiving Day & Christmas Day.	32.82	18.66	51.48
104	Cabinet Installer Future Increase(s): Add \$1.42/hr on 6/1/2015; Add \$1.42/hr on 6/1/2016.	32.72	16.00	48.72
105	Carpenter Future Increase(s): Add \$1.42/hr on 6/1/2015; Add \$1.42/hr on 6/1/2016. Premium Increase(s): DOT PREMIUM: Pay two times the hourly basic rate on Sunday, New Year's Day, Memorial Day, Independence Day, Labor Day, Thanksgiving Day & Christmas Day.	32.72	16.00	48.72
106	Carpet Layer or Soft Floor Coverer Future Increase(s): Add \$1.42/hr on 6/1/2015; Add \$1.42/hr on 6/1/2016.	32.72	16.00	48.72
107	Cement Finisher	31.98	12.04	44.02
108	Drywall Taper or Finisher	26.05	18.23	44.28
109	Electrician Future Increase(s): Add \$1.20/hr on 6/1/15; Add \$1.25/hr on 6/1/16. Premium Increase(s): DOT PREMIUM: Pay two times the hourly basic rate on Sunday, New Year's Day, Memorial Day, Independence Day, Labor Day, Thanksgiving Day & Christmas Day.	34.82	19.67	54.49
110	Elevator Constructor	43.84	27.09	70.93

<b>Fringe Benefits Must Be Paid On <u>All</u> Hours Worked</b>		<b>HOURLY BASIC RATE OF PAY</b>	<b>HOURLY FRINGE BENEFITS</b>	<b>TOTAL</b>
<b>CODE</b>	<b>TRADE OR OCCUPATION</b>	<b>\$</b>	<b>\$</b>	<b>\$</b>
111	Fence Erector	18.00	6.09	24.09
112	Fire Sprinkler Fitter	36.79	18.81	55.60
113	Glazier Future Increase(s): Add \$.75/hr eff. 06/01/2015; Add \$.90/hr eff. 06/01/2016	37.07	14.42	51.49
114	Heat or Frost Insulator	33.43	25.81	59.24
115	Insulator (Batt or Blown) Future Increase(s): Add \$1.42/hr on 6/1/2015; Add \$1.42/hr on 6/1/2016.	32.72	16.00	48.72
116	Ironworker	31.50	20.01	51.51
117	Lather	31.40	15.90	47.30
118	Line Constructor (Electrical)	39.50	17.73	57.23
119	Marble Finisher	16.25	2.32	18.57
120	Marble Mason	32.09	18.04	50.13
121	Metal Building Erector	19.05	8.08	27.13
122	Millwright Future Increase(s): Add \$1.47/hr on 6/1/2015; Add \$1.47/hr on 6/1/2016.	34.44	16.07	50.51
123	Overhead Door Installer	27.46	1.98	29.44
124	Painter	25.75	16.60	42.35
125	Pavement Marking Operator	30.10	17.34	47.44
126	Piledriver Future Increase(s): Add \$1.50/hr on 6/1/2015; Add \$1.60/hr on 6/1/2016. Premium Increase(s): Add \$.65/hr for Piledriver Loftsmen; Add \$.75/hr for Sheet Piling Loftsmen. DOT PREMIUM: Pay two times the hourly basic rate on Sunday, New Year's Day, Memorial Day, Independence Day, Labor Day, Thanksgiving Day & Christmas Day.	30.11	26.51	56.62
127	Pipeline Fuser or Welder (Gas or Utility)	30.83	20.89	51.72
129	Plasterer Future Increase(s): Add \$1.56 on 06/01/2015; Add \$1.61 on 06/01/2016; Add \$1.66 on 06/01/2017	32.65	19.36	52.01
130	Plumber Future Increase(s): Add \$1.80 on 6/1/15	37.57	17.47	55.04



<b>Fringe Benefits Must Be Paid On <u>All</u> Hours Worked</b>		<b>HOURLY BASIC RATE OF PAY</b>	<b>HOURLY FRINGE BENEFITS</b>	<b>TOTAL</b>
<b>CODE</b>	<b>TRADE OR OCCUPATION</b>	<b>\$</b>	<b>\$</b>	<b>\$</b>
132	Refrigeration Mechanic Future Increase(s): Add \$1.80 on 6/1/15	44.20	18.26	62.46
133	Rofer or Waterproofer	29.40	11.31	40.71
134	Sheet Metal Worker	34.45	22.54	56.99
135	Steamfitter Future Increase(s): Add \$1.80/hr on 6/1/15.	44.20	18.26	62.46
137	Teledata Technician or Installer Premium Increase(s): DOT PREMIUM: Pay two times the hourly basic rate on Sunday, New Year's Day, Memorial Day, Independence Day, Labor Day, Thanksgiving Day & Christmas Day.	22.50	12.74	35.24
138	Temperature Control Installer	42.95	15.04	57.99
139	Terrazzo Finisher	16.25	2.32	18.57
140	Terrazzo Mechanic	31.18	17.35	48.53
141	Tile Finisher	23.85	17.18	41.03
142	Tile Setter	29.81	17.18	46.99
143	Tuckpointer, Caulker or Cleaner	23.60	7.10	30.70
144	Underwater Diver (Except on Great Lakes)	35.40	15.90	51.30
146	Well Driller or Pump Installer	25.32	15.65	40.97
147	Siding Installer	36.17	19.44	55.61
150	Heavy Equipment Operator - ELECTRICAL LINE CONSTRUCTION ONLY	30.16	15.11	45.27
151	Light Equipment Operator -ELECTRICAL LINE CONSTRUCTION ONLY	31.60	26.76	58.36
152	Heavy Truck Driver - ELECTRICAL LINE CONSTRUCTION ONLY	27.65	14.49	42.14
153	Light Truck Driver - ELECTRICAL LINE CONSTRUCTION ONLY	27.83	15.01	42.84
154	Groundman - ELECTRICAL LINE CONSTRUCTION ONLY	21.90	9.83	31.73

**TRUCK DRIVERS**

<b>Fringe Benefits Must Be Paid On <u>All</u> Hours Worked</b>		<b>HOURLY BASIC RATE OF PAY</b>	<b>HOURLY FRINGE BENEFITS</b>	<b>TOTAL</b>
<b>CODE</b>	<b>TRADE OR OCCUPATION</b>	<b>\$</b>	<b>\$</b>	<b>\$</b>
201	Single Axle or Two Axle	32.89	18.96	51.85
203	Three or More Axle	18.00	21.99	39.99

<b>Fringe Benefits Must Be Paid On <u>All</u> Hours Worked</b>		<b>HOURLY BASIC RATE OF PAY</b>	<b>HOURLY FRINGE BENEFITS</b>	<b>TOTAL</b>
<b>CODE</b>	<b>TRADE OR OCCUPATION</b>	<b>\$</b>	<b>\$</b>	<b>\$</b>
204	Articulated, Euclid, Dumptr, Off Road Material Hauler Future Increase(s): Add \$1.60/hr on 6/2/2015; Add \$1.60/hr on 6/3/2016.	33.69	19.78	53.47
205	Pavement Marking Vehicle	20.85	11.02	31.87
207	Truck Mechanic	18.00	21.99	39.99

**LABORERS**

<b>Fringe Benefits Must Be Paid On <u>All</u> Hours Worked</b>		<b>HOURLY BASIC RATE OF PAY</b>	<b>HOURLY FRINGE BENEFITS</b>	<b>TOTAL</b>
<b>CODE</b>	<b>TRADE OR OCCUPATION</b>	<b>\$</b>	<b>\$</b>	<b>\$</b>
301	General Laborer Future Increase(s): Add \$1.35/hr eff. 06/01/2015; Add \$1.25/hr eff. 06/06/2016 Premium Increase(s): Add \$1.00/hr for certified welder; Add \$.25/hr for mason tender	24.97	15.12	40.09
302	Asbestos Abatement Worker	18.00	9.58	27.58
303	Landscaper	18.75	10.26	29.01
310	Gas or Utility Pipeline Laborer (Other Than Sewer and Water)	21.55	14.14	35.69
311	Fiber Optic Laborer (Outside, Other Than Concrete Encased) Premium Increase(s): DOT PREMIUMS: Pay two times the hourly basic rate on New Year's Day, Memorial Day, Independence Day, Labor Day, Thanksgiving Day & Christmas Day.	18.82	14.16	32.98
314	Railroad Track Laborer	14.50	5.29	19.79
315	Final Construction Clean-Up Worker Future Increase(s): Add \$1.35/hr eff. 06/01/2015; Add \$1.25/hr eff. 06/06/2016	24.97	15.12	40.09

**HEAVY EQUIPMENT OPERATORS  
SITE PREPARATION, UTILITY OR LANDSCAPING WORK ONLY**

<b>Fringe Benefits Must Be Paid On <u>All</u> Hours Worked</b>		<b>HOURLY BASIC RATE OF PAY</b>	<b>HOURLY FRINGE BENEFITS</b>	<b>TOTAL</b>
<b>CODE</b>	<b>TRADE OR OCCUPATION</b>	<b>\$</b>	<b>\$</b>	<b>\$</b>
501	Air Track, Rotary or Percussion Drilling Machine &/or Hammers, Blaster; Asphalt Milling Machine; Boring Machine (Directional, Horizontal or Vertical); Backhoe (Track Type) Having a Mfgr's Rated Capacity of 130,000 Lbs. or Over; Backhoe (Track Type) Having a Mfgr's Rated Capacity of Under 130,000 Lbs., Backhoe (Mini, 15,000 Lbs. & Under); Bulldozer or Endloader (Over 40 hp); Compactor (Self-Propelled 85 Ft Total Drum Width & Over, or Tractor Mounted, Towed & Light Equipment); Concrete Batch Plant, Batch Hopper; Concrete Breaker (Large, Auto, Vibratory/Sonic, Manual or Remote); Crane, Shovel, Dragline, Clamshells; Forklift (Machinery Moving or Steel Erection, 25 Ft & Over); Gradall (Cruz-Aire Type); Grader or Motor Patrol; Master Mechanic; Mechanic or Welder; Robotic Tool Carrier (With or Without Attachments); Scraper (Self Propelled or Tractor Drawn) 5 cu yds or More Capacity; Tractor or Truck Mounted Hydraulic Backhoe; Tractor or Truck Mounted Hydraulic Crane (10 Tons or Under); Tractor (Scraper, Dozer, Pusher, Loader); Trencher (Wheel Type or Chain Type Having Over 8 Inch Bucket). Future Increase(s): Add \$1.60/hr on 6/2/2015; Add \$1.60/hr on 6/3/2016.	33.69	19.78	53.47
502	Backfiller; Broom or Sweeper; Bulldozer or Endloader (Under 40 hp); Environmental Burner; Forestry Equipment, Timbco, Tree Shear, Tub Grinder, Processor; Jeep Digger; Screed (Milling Machine); Skid Rig; Straddle Carrier or Travel Lift; Stump Chipper; Trencher (Wheel Type or Chain Type Having 8 Inch Bucket & Under). Future Increase(s): Add \$1.60/hr on 6/2/2015; Add \$1.60/hr on 6/3/2016.	33.69	19.78	53.47
503	Air Compressor (&/or 400 CFM or Over); Augers (Vertical & Horizontal); Compactor (Self-Propelled 84 Ft Total Drum Width & Under, or Tractor Mounted, Towed & Light Equipment); Crusher, Screening or Wash Plant; Farm or Industrial Type Tractor; Forklift; Generator (&/or 150 KW or Over); Greaser; High Pressure Utility Locating Machine (Daylighting Machine); Mulcher; Oiler; Post Hole Digger or Driver; Pump (3 Inch or Over) or Well Points; Refrigeration Plant or Freeze Machine; Rock, Stone Breaker; Skid Steer Loader (With or Without Attachments); Vibratory Hammer or Extractor, Power Pack. Future Increase(s): Add \$1.60/hr on 6/2/2015; Add \$1.60/hr on 6/3/2016.	31.62	19.78	51.40
504	Work Performed on the Great Lakes Including Diver; Wet Tender or Hydraulic Dredge Engineer.	41.65	21.71	63.36
505	Work Performed on the Great Lakes Including Crane or Backhoe Operator; Assistant Hydraulic Dredge Engineer; Hydraulic Dredge Leverman or Diver's Tender; Mechanic or Welder; 70 Ton & Over Tug Operator. Premium Increase(s): Add \$.50/hr for Friction Crane, Lattice Boom or Crane Certification (CCO).	41.65	21.71	63.36

<b>Fringe Benefits Must Be Paid On <u>All</u> Hours Worked</b>				
<b>CODE</b>	<b>TRADE OR OCCUPATION</b>	<b>HOURLY BASIC RATE OF PAY</b>	<b>HOURLY FRINGE BENEFITS</b>	<b>TOTAL</b>
		<b>\$</b>	<b>\$</b>	<b>\$</b>
506	Work Performed on the Great Lakes Including Deck Equipment Operator or Machineryman (Maintains Cranes Over 50 Tons or Backhoes 115,000 Lbs. or More); Tug, Launch or Loader, Dozer or Like Equipment When Operated on a Barge, Breakwater Wall, Slip, Dock or Scow, Deck Machinery.	35.72	17.85	53.57
507	Work Performed on the Great Lakes Including Deck Equipment Operator, Machineryman or Fireman (Operates 4 Units or More or Maintains Cranes 50 Tons or Under or Backhoes 115,000 Lbs. or Under); Deck Hand, Deck Engineer or Assistant Tug Operator; Off Road Trucks - Great Lakes ONLY.	35.46	20.40	55.86

**HEAVY EQUIPMENT OPERATORS  
EXCLUDING SITE PREPARATION, UTILITY, PAVING LANDSCAPING WORK**

<b>Fringe Benefits Must Be Paid On <u>All</u> Hours Worked</b>				
<b>CODE</b>	<b>TRADE OR OCCUPATION</b>	<b>HOURLY BASIC RATE OF PAY</b>	<b>HOURLY FRINGE BENEFITS</b>	<b>TOTAL</b>
		<b>\$</b>	<b>\$</b>	<b>\$</b>
508	Boring Machine (Directional); Crane, Tower Crane, Pedestal Tower or Derrick, With or Without Attachments, With a Lifting Capacity of Over 100 Tons, Self-Erecting Tower Crane With a Lifting Capacity of Over 4,000 Lbs., Crane With Boom Dollies; Crane, Tower Crane, Pedestal Tower or Derrick, With Boom, Leads &/or Jib Lengths Measuring 176 Ft or Over; Master Mechanic. Future Increase(s): Add \$1.60/hr on 6/2/2015; Add \$1.60/hr on 6/3/2016. Premium Increase(s): Add \$.50/hr for >200 Ton; Add \$1/hr at 300 Ton; Add \$1.50/hr at 400 Ton; Add \$2/hr at 500 Ton & Over.	36.67	19.78	56.45
509	Backhoe (Track Type) Having a Mfgr's Rated Capacity of 130,000 Lbs. or Over; Boring Machine (Horizontal or Vertical); Caisson Rig; Crane, Tower Crane, Portable Tower, Pedestal Tower or Derrick, With or Without Attachments, With a Lifting Capacity of 100 Tons or Under, Self-Erecting Tower Crane With A Lifting Capacity Of 4,000 Lbs. & Under; Crane, Tower Crane, Portable Tower, Pedestal Tower or Derrick, With Boom, Leads &/or Jib Lengths Measuring 175 Ft or Under; Pile Driver; Versi Lifts, Tri-Lifts & Gantrys (20,000 Lbs. & Over). Future Increase(s): Add \$1.60/hr on 6/2/2015; Add \$1.60/hr on 6/3/2016. Premium Increase(s): Add \$.25/hr for all >45 Ton lifting capacity cranes.	35.42	19.78	55.20
510	Backhoe (Track Type) Having a Mfgr.'s Rated Capacity of Under 130,000 Lbs., Backhoe (Mini, 15,000 Lbs. & Under); Concrete Bump Cutter, Grinder, Planing or Grooving Machine; Concrete Laser/Screed; Concrete Paver (Slipform); Concrete Pump (Over 46 Meter), Concrete Conveyor (Rotec or Bidwell Type); Concrete Slipform Placer Curb & Gutter Machine; Concrete Spreader & Distributor; Dredge (NOT Performing Work on the Great Lakes); Forklift (Machinery Moving or Steel Erection, 25 Ft & Over); Gradall (Cruz-Aire Type); Hydro-Blaster (10,000 PSI or Over); Milling Machine; Skid Rig; Traveling Crane (Bridge Type). Future Increase(s): Add \$1.60/hr on 6/2/2015; Add \$1.60/hr on 6/3/2016.	34.22	19.78	54.00

<b>Fringe Benefits Must Be Paid On <u>All</u> Hours Worked</b>		<b>HOURLY BASIC RATE OF PAY</b>	<b>HOURLY FRINGE BENEFITS</b>	<b>TOTAL</b>
<b>CODE</b>	<b>TRADE OR OCCUPATION</b>	<b>\$</b>	<b>\$</b>	<b>\$</b>
511	Air, Track, Rotary or Percussion Drilling Machine &/or Hammers, Blaster; Bulldozer or Endloader (Over 40 hp); Compactor (Self-Propelled 85 Ft Total Drum Width & Over, or Tractor Mounted, Towed & Light Equipment); Concrete Pump (46 Meter & Under), Concrete Conveyor (Rotec or Bidwell Type); Crane (Carry Deck, Mini) or Truck Mounted Hydraulic Crane (10 Tons or Under); Environmental Burner; Gantrys (Under 20,000 Lbs.); Grader or Motor Patrol; High Pressure Utility Locating Machine (Daylighting Machine); Manhoist; Material or Stack Hoist; Mechanic or Welder; Railroad Track Rail Leveling Machine, Tie Placer, Extractor, Tamper, Stone Leveler or Rehabilitation Equipment; Roller (Over 5 Ton); Scraper (Self Propelled or Tractor Drawn) 5 cu yd or More Capacity; Screed (Milling Machine); Sideboom; Straddle Carrier or Travel Lift; Tining or Curing Machine; Tractor (Scraper, Dozer, Pusher, Loader); Tractor or Truck Mounted Hydraulic Backhoe; Tractor or Truck Mounted Hydraulic Crane (10 Tons or Under); Trencher (Wheel Type or Chain Type Having Over 8-Inch Bucket). Future Increase(s): Add \$1.60/hr on 6/2/2015; Add \$1.60/hr on 6/3/2016.	33.69	19.78	53.47
512	Backfiller; Broom or Sweeper; Bulldozer or Endloader (Under 40 hp); Compactor (Self-Propelled 84 Ft Total Drum Width & Under, or Tractor Mounted, Towed & Light Equipment); Concrete Batch Plant, Batch Hopper; Concrete Breaker (Large, Auto, Vibratory/Sonic, Manual or Remote); Concrete Conveyor System; Concrete Finishing Machine (Road Type); Fireman (Pile Driver & Derrick NOT Performing Work on the Great Lakes); Grout Pump; Hoist (Tugger, Automatic); Industrial Locomotives; Jeep Digger; Lift Slab Machine; Mulcher; Roller (Rubber Tire, 5 Ton or Under); Screw or Gypsum Pumps; Stabilizing or Concrete Mixer (Self-Propelled or 14S or Over); Stump Chipper; Trencher (Wheel Type or Chain Type Having 8-Inch Bucket & Under); Winches & A-Frames. Future Increase(s): Add \$1.60/hr on 6/2/2015; Add \$1.60/hr on 6/3/2016.	31.62	19.78	51.40
513	Air Compressor (&/or 400 CFM or Over); Air, Electric or Hydraulic Jacking System; Augers (Vertical & Horizontal); Boatmen (NOT Performing Work on the Great Lakes); Boiler (Temporary Heat); Crusher, Screening or Wash Plant; Elevator; Farm or Industrial Type Tractor; Fireman (Asphalt Plant NOT Performing Work on the Great Lakes); Forklift; Generator (&/or 150 KW or Over); Greaser; Heaters (Mechanical); Loading Machine (Conveyor); Oiler; Post Hole Digger or Driver; Prestress Machine; Pump (3 Inch or Over) or Well Points; Refrigeration Plant or Freeze Machine; Robotic Tool Carrier (With or Without Attachments); Rock, Stone Breaker; Skid Steer Loader (With or Without Attachments); Vibratory Hammer or Extractor, Power Pack. Future Increase(s): Add \$1.60/hr on 6/2/2015; Add \$1.60/hr on 6/3/2016.	30.99	19.78	50.77
514	Gas or Utility Pipeline, Except Sewer & Water (Primary Equipment). Future Increase(s): Add \$1/hr on 6/1/2015; Add \$1/hr on 5/30/2016.	36.34	22.14	58.48
515	Gas or Utility Pipeline, Except Sewer & Water (Secondary Equipment). Future Increase(s): Add \$1.65/hr on 6/1/2015.	33.12	19.35	52.47
516	Fiber Optic Cable Equipment	28.89	17.95	46.84



<b>SEWER, WATER OR TUNNEL CONSTRUCTION</b>
--

Includes those projects that primarily involve public sewer or water distribution, transmission or collection systems and related tunnel work (excluding buildings).

---

**SKILLED TRADES**

---

<b>CODE</b>	<b>TRADE OR OCCUPATION</b>	<b>Fringe Benefits Must Be Paid On <u>All</u> Hours Worked</b>		
		<b>HOURLY BASIC RATE OF PAY</b>	<b>HOURLY FRINGE BENEFITS</b>	<b>TOTAL</b>
		\$	\$	\$
103	Bricklayer, Blocklayer or Stonemason	32.09	18.04	50.13
105	Carpenter Future Increase(s): Add \$1.50/hr on 6/1/2015; Add \$1.65/hr on 6/1/2016. Premium Increase(s): DOT PREMIUM: Pay two times the hourly basic rate on Sunday, New Year's Day, Memorial Day, Independence Day, Labor Day, Thanksgiving Day & Christmas Day.	34.13	20.61	54.74
107	Cement Finisher Future Increase(s): Add \$1.87 on 6/1/15; Add \$1.75 on 6/1/16. Premium Increase(s): DOT PREMIUMS: 1) Pay two times the hourly basic rate on Sunday, New Year's Day, Memorial Day, Independence Day, Labor Day, Thanksgiving Day & Christmas Day. 2) Add \$1.40/hr when the Wisconsin Department of Transportation or responsible governing agency requires that work be performed at night under artificial illumination with traffic control and the work is completed after sunset and before sunrise.	35.18	16.78	51.96
109	Electrician Premium Increase(s): DOT PREMIUM: Pay two times the hourly basic rate on Sunday, New Year's Day, Memorial Day, Independence Day, Labor Day, Thanksgiving Day & Christmas Day.	33.93	22.77	56.70
111	Fence Erector	18.00	6.09	24.09
116	Ironworker	31.50	20.01	51.51
118	Line Constructor (Electrical)	39.50	17.73	57.23
125	Pavement Marking Operator	30.10	17.34	47.44
126	Piledriver	29.56	25.71	55.27
130	Plumber	21.50	0.00	21.50
135	Steamfitter	42.95	17.81	60.76
137	Teledata Technician or Installer	22.25	12.24	34.49
143	Tuckpointer, Caulker or Cleaner	23.60	7.10	30.70
144	Underwater Diver (Except on Great Lakes)	35.40	15.90	51.30

<b>Fringe Benefits Must Be Paid On <u>All</u> Hours Worked</b>		<b>HOURLY BASIC RATE OF PAY</b>	<b>HOURLY FRINGE BENEFITS</b>	<b>TOTAL</b>
<b>CODE</b>	<b>TRADE OR OCCUPATION</b>	<b>\$</b>	<b>\$</b>	<b>\$</b>
146	Well Driller or Pump Installer	25.32	15.65	40.97
150	Heavy Equipment Operator - ELECTRICAL LINE CONSTRUCTION ONLY	35.55	15.57	51.12
151	Light Equipment Operator -ELECTRICAL LINE CONSTRUCTION ONLY	31.60	15.19	46.79
152	Heavy Truck Driver - ELECTRICAL LINE CONSTRUCTION ONLY	27.65	13.44	41.09
153	Light Truck Driver - ELECTRICAL LINE CONSTRUCTION ONLY	25.68	13.28	38.96
154	Groundman - ELECTRICAL LINE CONSTRUCTION ONLY	21.75	12.97	34.72

**TRUCK DRIVERS**

<b>Fringe Benefits Must Be Paid On <u>All</u> Hours Worked</b>		<b>HOURLY BASIC RATE OF PAY</b>	<b>HOURLY FRINGE BENEFITS</b>	<b>TOTAL</b>
<b>CODE</b>	<b>TRADE OR OCCUPATION</b>	<b>\$</b>	<b>\$</b>	<b>\$</b>
201	Single Axle or Two Axle Future Increase(s): Add \$1.15/hr on 6/1/2015. Premium Increase(s): DOT PREMIUM: Pay two times the hourly basic rate on Sunday, New Year's Day, Memorial Day, Independence Day, Labor Day, Thanksgiving Day & Christmas Day.	25.18	18.31	43.49
203	Three or More Axle	19.50	4.97	24.47
204	Articulated, Euclid, Dumptor, Off Road Material Hauler	32.89	18.96	51.85
205	Pavement Marking Vehicle	20.85	11.02	31.87
207	Truck Mechanic	19.50	4.97	24.47

**LABORERS**

<b>Fringe Benefits Must Be Paid On <u>All</u> Hours Worked</b>		<b>HOURLY BASIC RATE OF PAY</b>	<b>HOURLY FRINGE BENEFITS</b>	<b>TOTAL</b>
<b>CODE</b>	<b>TRADE OR OCCUPATION</b>	<b>\$</b>	<b>\$</b>	<b>\$</b>
301	General Laborer Future Increase(s): Add \$1.35/hr eff. 06/01/2015; Add \$1.25/hr eff. 06/06/2016 Premium Increase(s): Add \$.20 for blaster, bracer, manhole builder, caulker, bottomman and power tool; Add \$.55 for pipelayer; Add \$1.00 for tunnel work 0-15 lbs. compressed air; Add \$2.00 for over 15-30 lbs. compressed air; Add \$3.00 for over 30 lbs. compressed air.	26.34	15.13	41.47
303	Landscaper	39.43	0.00	39.43



<b>Fringe Benefits Must Be Paid On <u>All</u> Hours Worked</b>				
<b>CODE</b>	<b>TRADE OR OCCUPATION</b>	<b>HOURLY BASIC RATE OF PAY</b>	<b>HOURLY FRINGE BENEFITS</b>	<b>TOTAL</b>
		<b>\$</b>	<b>\$</b>	<b>\$</b>
304	Flagperson or Traffic Control Person	31.95	0.00	31.95
311	Fiber Optic Laborer (Outside, Other Than Concrete Encased)	18.33	13.65	31.98
314	Railroad Track Laborer	14.50	5.29	19.79

**HEAVY EQUIPMENT OPERATORS  
SEWER, WATER OR TUNNEL WORK**

<b>Fringe Benefits Must Be Paid On <u>All</u> Hours Worked</b>				
<b>CODE</b>	<b>TRADE OR OCCUPATION</b>	<b>HOURLY BASIC RATE OF PAY</b>	<b>HOURLY FRINGE BENEFITS</b>	<b>TOTAL</b>
		<b>\$</b>	<b>\$</b>	<b>\$</b>
521	Backhoe (Track Type) Having a Mfgr.'s Rated Capacity of 130,000 Lbs. or Over; Caisson Rig; Crane, Tower Crane, Pedestal Tower or Derrick, With Boom, Leads &/or Jib Lengths Measuring 176 Ft or Over; Crane, Tower Crane, Pedestal Tower or Derrick, With or Without Attachments, With a Lifting Capacity of Over 100 Tons, Self-Erecting Tower Crane With a Lifting Capacity Of Over 4,000 Lbs., Crane With Boom Dollies; Master Mechanic; Pile Driver. Future Increase(s): Add \$1.55/hr on 6/1/2015. Premium Increase(s): Add \$.25/hr for operating tower crane.	37.24	20.10	57.34
522	Backhoe (Track Type) Having a Mfgr.'s Rated Capacity of Under 130,000 Lbs., Backhoe (Mini, 15,000 Lbs. & Under); Boring Machine (Directional); Concrete Bump Cutter, Grinder, Planing or Grooving Machine; Concrete Laser/Screed; Concrete Paver (Slipform); Concrete Pump (Over 46 Meter), Concrete Conveyor (Rotec or Bidwell Type); Concrete Spreader & Distributor; Crane, Tower Crane, Portable Tower, Pedestal Tower or Derrick, With Boom, Leads &/or Jib Lengths Measuring 175 Ft or Under; Crane, Tower Crane, Portable Tower, Pedestal Tower or Derrick, With or Without Attachments, With a Lifting Capacity of 100 Tons or Under, Self-Erecting Tower Crane With a Lifting Capacity of 4,000 Lbs. & Under; Dredge (NOT Performing Work on the Great Lakes); Milling Machine; Skid Rig; Telehandler; Traveling Crane (Bridge Type). Future Increase(s): Add \$1.60/hr on 6/2/2015; Add \$1.60/hr on 6/3/2016.	34.22	19.78	54.00
523	Air Track, Rotary or Percussion Drilling Machine &/or Hammers, Blaster; Boring Machine (Horizontal or Vertical); Bulldozer or Endloader (Over 40 hp); Crane (Carry Deck, Mini) or Truck Mounted Hydraulic Crane (10 Tons or Under); Concrete Pump (46 Meter & Under), Concrete Conveyor (Rotec or Bidwell Type); Concrete Slipform Placer Curb & Gutter Machine; Gradall (Cruz-Aire Type); Grader or Motor Patrol; Hydro-Blaster (10,000 PSI or Over); Manhoist; Material or Stack Hoist; Mechanic or Welder; Roller (Over 5 Ton); Scraper (Self Propelled or Tractor Drawn) 5 cu yd or More Capacity; Screed (Milling Machine); Sideboom; Straddle Carrier or Travel Lift; Tractor (Scraper, Dozer, Pusher, Loader); Tractor or Truck Mounted Hydraulic Backhoe; Tractor or Truck Mounted Hydraulic Crane (10 Tons or Under); Trencher (Wheel Type or Chain Type Having Over 8-Inch Bucket). Future Increase(s): Add \$1.60/hr on 6/2/2015; Add \$1.60/hr on 6/3/2016.	33.69	19.78	53.47

<b>Fringe Benefits Must Be Paid On <u>All</u> Hours Worked</b>		<b>HOURLY BASIC RATE OF PAY</b>	<b>HOURLY FRINGE BENEFITS</b>	<b>TOTAL</b>
<b>CODE</b>	<b>TRADE OR OCCUPATION</b>	<b>\$</b>	<b>\$</b>	<b>\$</b>
524	Backfiller; Broom or Sweeper; Bulldozer or Endloader (Under 40 hp); Compactor (Self-Propelled 85 Ft Total Drum Width & Over, or Tractor Mounted, Towed & Light Equipment); Concrete Batch Plant, Batch Hopper; Concrete Breaker (Large, Auto, Vibratory/Sonic, Manual or Remote); Concrete Conveyor System; Concrete Finishing Machine (Road Type); Environmental Burner; Fireman (Pile Driver & Derrick NOT Performing Work on the Great Lakes); Forestry Equipment, Timbco, Tree Shear, Tub Grinder, Processor; Hoist (Tugger, Automatic); Grout Pump; Jeep Digger; Lift Slab Machine; Mulcher; Power Subgrader; Pump (3 Inch or Over) or Well Points; Robotic Tool Carrier (With or Without Attachments); Roller (Rubber Tire, 5 Ton or Under); Screw or Gypsum Pumps; Stabilizing or Concrete Mixer (Self-Propelled or 14S or Over); Stump Chipper; Tining or Curing Machine; Trencher (Wheel Type or Chain Type Having 8-Inch Bucket & Under); Winches & A-Frames.	30.82	18.96	49.78
525	Air Compressor (&/or 400 CFM or Over); Air, Electric or Hydraulic Jacking System; Augers (Vertical & Horizontal); Compactor (Self-Propelled 84 Ft Total Drum Width & Under, or Tractor Mounted, Towed & Light Equipment); Crusher, Screening or Wash Plant; Farm or Industrial Type Tractor; Fireman (Asphalt Plant NOT Performing Work on the Great Lakes); Generator (&/or 150 KW or Over); Heaters (Mechanical); High Pressure Utility Locating Machine (Daylighting Machine); Loading Machine (Conveyor); Post Hole Digger or Driver; Refrigeration Plant or Freeze Machine; Rock, Stone Breaker; Skid Steer Loader (With or Without Attachments); Vibratory Hammer or Extractor, Power Pack.	30.69	18.46	49.15
526	Boiler (Temporary Heat); Forklift; Greaser; Oiler.	30.19	18.96	49.15
527	Work Performed on the Great Lakes Including Diver; Wet Tender or Hydraulic Dredge Engineer.	41.65	21.71	63.36
528	Work Performed on the Great Lakes Including 70 Ton & Over Tug Operator; Assistant Hydraulic Dredge Engineer; Crane or Backhoe Operator; Hydraulic Dredge Leverman or Diver's Tender; Mechanic or Welder.	41.65	21.71	63.36
529	Work Performed on the Great Lakes Including Deck Equipment Operator or Machineryman (Maintains Cranes Over 50 Tons or Backhoes 115,000 Lbs. or More); Tug, Launch or Loader, Dozer or Like Equipment When Operated on a Barge, Breakwater Wall, Slip, Dock or Scow, Deck Machinery.	35.72	17.85	53.57
530	Work Performed on the Great Lakes Including Deck Equipment Operator; Machineryman or Fireman (Operates 4 Units or More or Maintains Cranes 50 Tons or Under or Backhoes 115,000 Lbs. or Under), Deck Hand, Deck Engineer or Assistant Tug Operator; Off Road Trucks - Great Lakes ONLY.	35.46	20.40	55.86

<b>AIRPORT PAVEMENT OR STATE HIGHWAY CONSTRUCTION</b>
---

**Includes all airport projects (excluding buildings) and all projects awarded by the Wisconsin Department of Transportation (excluding buildings).**

---

**SKILLED TRADES**

---

<b>CODE</b>	<b>TRADE OR OCCUPATION</b>	<b>HOURLY BASIC RATE OF PAY</b>	<b>HOURLY FRINGE BENEFITS</b>	<b>TOTAL</b>
		\$	\$	\$
103	Bricklayer, Blocklayer or Stonemason	32.09	18.04	50.13
105	Carpenter Future Increase(s): Add \$1.42/hr on 6/1/2015; Add \$1.42/hr on 6/1/2016. Premium Increase(s): DOT PREMIUM: Pay two times the hourly basic rate on Sunday, New Year's Day, Memorial Day, Independence Day, Labor Day, Thanksgiving Day & Christmas Day.	32.72	16.00	48.72
107	Cement Finisher Future Increase(s): Add \$1.87 on 6/1/15; Add \$1.75 on 6/1/16. Premium Increase(s): DOT PREMIUMS: 1) Pay two times the hourly basic rate on Sunday, New Year's Day, Memorial Day, Independence Day, Labor Day, Thanksgiving Day & Christmas Day. 2) Add \$1.40/hr when the Wisconsin Department of Transportation or responsible governing agency requires that work be performed at night under artificial illumination with traffic control and the work is completed after sunset and before sunrise.	35.18	16.78	51.96
109	Electrician Premium Increase(s): DOT PREMIUM: Pay two times the hourly basic rate on Sunday, New Year's Day, Memorial Day, Independence Day, Labor Day, Thanksgiving Day & Christmas Day.	33.93	22.77	56.70
111	Fence Erector	18.00	6.09	24.09
116	Ironworker	31.50	20.01	51.51
118	Line Constructor (Electrical)	39.50	17.73	57.23
124	Painter	26.65	13.10	39.75
125	Pavement Marking Operator	29.22	25.90	55.12
126	Piledriver Future Increase(s): Add \$1.44/hr on 6/1/2015; Add \$1.44/hr on 6/1/2016. Premium Increase(s): DOT PREMIUM: Pay two times the hourly basic rate on Sunday, New Year's Day, Memorial Day, Independence Day, Labor Day, Thanksgiving Day & Christmas Day.	33.24	16.00	49.24
133	Rofer or Waterproofer	29.40	11.31	40.71

<b>Fringe Benefits Must Be Paid On <u>All</u> Hours Worked</b>		<b>HOURLY BASIC RATE OF PAY</b>	<b>HOURLY FRINGE BENEFITS</b>	<b>TOTAL</b>
<b>CODE</b>	<b>TRADE OR OCCUPATION</b>	<b>\$</b>	<b>\$</b>	<b>\$</b>
137	Teledata Technician or Installer	22.25	12.24	34.49
143	Tuckpointer, Caulker or Cleaner	23.60	7.10	30.70
144	Underwater Diver (Except on Great Lakes)	35.40	15.90	51.30
150	Heavy Equipment Operator - ELECTRICAL LINE CONSTRUCTION ONLY	35.55	15.57	51.12
151	Light Equipment Operator -ELECTRICAL LINE CONSTRUCTION ONLY	31.60	15.29	46.89
152	Heavy Truck Driver - ELECTRICAL LINE CONSTRUCTION ONLY	27.65	13.44	41.09
153	Light Truck Driver - ELECTRICAL LINE CONSTRUCTION ONLY	25.68	12.83	38.51
154	Groundman - ELECTRICAL LINE CONSTRUCTION ONLY	21.73	12.17	33.90

---

**TRUCK DRIVERS**

---

<b>Fringe Benefits Must Be Paid On <u>All</u> Hours Worked</b>		<b>HOURLY BASIC RATE OF PAY</b>	<b>HOURLY FRINGE BENEFITS</b>	<b>TOTAL</b>
<b>CODE</b>	<b>TRADE OR OCCUPATION</b>	<b>\$</b>	<b>\$</b>	<b>\$</b>
201	Single Axle or Two Axle Future Increase(s): Add \$1.15/hr on 6/1/2015. Premium Increase(s): DOT PREMIUM: Pay two times the hourly basic rate on Sunday, New Year's Day, Memorial Day, Independence Day, Labor Day, Thanksgiving Day & Christmas Day.	25.18	18.31	43.49
203	Three or More Axle Future Increase(s): Add \$1.15/hr on 6/1/2015. Premium Increase(s): DOT PREMIUM: Pay two times the hourly basic rate on Sunday, New Year's Day, Memorial Day, Independence Day, Labor Day, Thanksgiving Day & Christmas Day.	25.28	18.31	43.59
204	Articulated, Euclid, Dumptor, Off Road Material Hauler Future Increase(s): Add \$1.25/hr on 6/1/2015; Add \$1.30/hr on 6/1/2016; Add \$1.25/hr on 6/1/2017. Premium Increase(s): DOT PREMIUMS: 1) Pay two times the hourly basic rate on Sunday, New Year's Day, Memorial Day, Independence Day, Labor Day, Thanksgiving Day & Christmas Day. 2) Add \$1.50/hr night work premium. See DOT'S website for details about the applicability of this night work premium at: <a href="http://www.dot.wi.gov/business/civilrights/laborwages/pwc.htm">http://www.dot.wi.gov/business/civilrights/laborwages/pwc.htm</a> .	30.27	21.15	51.42
205	Pavement Marking Vehicle	23.16	21.13	44.29
206	Shadow or Pilot Vehicle	24.37	17.77	42.14

207	Truck Mechanic	24.52	17.77	42.29
-----	----------------	-------	-------	-------

---

**LABORERS**

---

<b>Fringe Benefits Must Be Paid On <u>All</u> Hours Worked</b>				
<b>CODE</b>	<b>TRADE OR OCCUPATION</b>	<b>HOURLY BASIC RATE OF PAY</b>	<b>HOURLY FRINGE BENEFITS</b>	<b>TOTAL</b>
		\$	\$	\$
301	General Laborer Future Increase(s): Add \$1.05/hr eff. 06/01/2015; Add \$1.00/hr eff. 06/01/2016; Add \$1.00/hr eff. 06/01/2017 Premium Increase(s): Add \$.10/hr for topman, air tool operator, vibrator or tamper operator (mechanical hand operated), chain saw operator and demolition burning torch laborer; Add \$.15/hr for bituminous worker (raker and luteman), formsetter (curb, sidewalk and pavement) and strike off man; Add \$.20/hr for blaster and powderman; Add \$.25/hr for bottomman; Add \$.35/hr for line and grade specialist; Add \$.45/hr for pipelayer. / DOT PREMIUMS: 1) Pay two times the hourly basic rate on Sunday, New Year's Day, Memorial Day, Independence Day, Labor Day, Thanksgiving Day & Christmas Day. 2) Add \$1.25/hr for work on projects involving temporary traffic control setup, for lane and shoulder closures, when work under artificial illumination conditions is necessary as required by the project provisions (including prep time prior to and/or cleanup after such time period).	30.41	15.14	45.55
302	Asbestos Abatement Worker	18.00	9.58	27.58
303	Landscaper Future Increase(s): Add \$1.05/hr eff. 06/01/2015; Add \$1.00/hr eff. 06/01/2016; Add \$1.00/hr eff. 06/01/2017 Premium Increase(s): DOT PREMIUMS: 1) Pay two times the hourly basic rate on Sunday, New Year's Day, Memorial Day, Independence Day, Labor Day, Thanksgiving Day & Christmas Day. 2) Add \$1.25/hr for work on projects involving temporary traffic control setup, for lane and shoulder closures, when work under artificial illumination conditions is necessary as required by the project provisions (including prep time prior to and/or cleanup after such time period).	30.41	15.14	45.55
304	Flagperson or Traffic Control Person Future Increase(s): Add \$1.05/hr eff. 06/01/2015; Add \$1.00/hr eff. 06/01/2016; Add \$1.00/hr eff. 06/01/2017 Premium Increase(s):	26.76	15.14	41.90

<b>Fringe Benefits Must Be Paid On <u>All</u> Hours Worked</b>		<b>HOURLY BASIC RATE OF PAY</b>	<b>HOURLY FRINGE BENEFITS</b>	<b>TOTAL</b>
<b>CODE</b>	<b>TRADE OR OCCUPATION</b>	<b>\$</b>	<b>\$</b>	<b>\$</b>
	DOT PREMIUMS: 1) Pay two times the hourly basic rate on Sunday, New Year's Day, Memorial Day, Independence Day, Labor Day, Thanksgiving Day & Christmas Day. 2) Add \$1.25/hr when the Wisconsin Department of Transportation or responsible governing agency requires that work be performed at night under artificial illumination with traffic control and the work is completed after sunset and before sunrise.			
311	Fiber Optic Laborer (Outside, Other Than Concrete Encased)	18.33	13.65	31.98
314	Railroad Track Laborer	14.50	5.29	19.79

**HEAVY EQUIPMENT OPERATORS  
AIRPORT PAVEMENT OR STATE HIGHWAY CONSTRUCTION**

<b>Fringe Benefits Must Be Paid On <u>All</u> Hours Worked</b>		<b>HOURLY BASIC RATE OF PAY</b>	<b>HOURLY FRINGE BENEFITS</b>	<b>TOTAL</b>
<b>CODE</b>	<b>TRADE OR OCCUPATION</b>	<b>\$</b>	<b>\$</b>	<b>\$</b>
531	Crane, Tower Crane, Pedestal Tower or Derrick, With Boom, Leads &/or Jib Lengths Measuring 176 Ft or Over; Crane, Tower Crane, Pedestal Tower or Derrick, With or Without Attachments, With a Lifting Capacity of Over 100 Tons, Self-Erecting Tower Crane With a Lifting Capacity Of Over 4,000 Lbs., Crane With Boom Dollies; Traveling Crane (Bridge Type). Future Increase(s): Add \$1.25/hr on 6/1/2015; Add \$1.30/hr on 6/1/2016; Add \$1.25/hr on 6/1/2017. Premium Increase(s): DOT PREMIUMS: 1) Pay two times the hourly basic rate on Sunday, New Year's Day, Memorial Day, Independence Day, Labor Day, Thanksgiving Day & Christmas Day. 2) Add \$1.50/hr night work premium. See DOT'S website for details about the applicability of this night work premium at: <a href="http://www.dot.wi.gov/business/civilrights/laborwages/pwc.htm">http://www.dot.wi.gov/business/civilrights/laborwages/pwc.htm</a> .	37.72	21.15	58.87
532	Backhoe (Track Type) Having a Mfgr.'s Rated Capacity of 130,000 Lbs. or Over; Caisson Rig; Crane, Tower Crane, Portable Tower, Pedestal Tower or Derrick, With Boom, Leads &/or Jib Lengths Measuring 175 Ft or Under; Crane, Tower Crane, Portable Tower, Pedestal Tower or Derrick, With or Without Attachments, With a Lifting Capacity of 100 Tons or Under, Self-Erecting Tower Crane With A Lifting Capacity Of 4,000 Lbs., & Under; Dredge (NOT Performing Work on the Great Lakes); Licensed Boat Pilot (NOT Performing Work on the Great Lakes); Pile Driver. Future Increase(s): Add \$1.25/hr on 6/1/2015; Add \$1.30/hr on 6/1/2016; Add \$1.25/hr on 6/1/2017. Premium Increase(s): DOT PREMIUMS: 1) Pay two times the hourly basic rate on Sunday, New Year's Day, Memorial Day, Independence Day, Labor Day, Thanksgiving Day & Christmas Day. 2) Add \$1.50/hr night work premium. See DOT'S website for details about the applicability of this night work premium at: <a href="http://www.dot.wi.gov/business/civilrights/laborwages/pwc.htm">http://www.dot.wi.gov/business/civilrights/laborwages/pwc.htm</a> .	37.22	21.15	58.37

<b>Fringe Benefits Must Be Paid On <u>All</u> Hours Worked</b>		<b>HOURLY BASIC RATE OF PAY</b>	<b>HOURLY FRINGE BENEFITS</b>	<b><u>TOTAL</u></b>
<b><u>CODE</u></b>	<b><u>TRADE OR OCCUPATION</u></b>	<b>\$</b>	<b>\$</b>	<b>\$</b>
533	<p>Air Track, Rotary or Percussion Drilling Machine &amp;/or Hammers, Blaster; Asphalt Heater, Planer &amp; Scarifier; Asphalt Milling Machine; Asphalt Screed; Automatic Subgrader (Concrete); Backhoe (Track Type) Having a Mfgr.'s Rated Capacity of Under 130,000 Lbs., Backhoe (Mini, 15,000 Lbs. &amp; Under); Bituminous (Asphalt) Plant &amp; Paver, Screed; Boatmen (NOT Performing Work on the Great Lakes); Boring Machine (Directional, Horizontal or Vertical); Bridge (Bidwell) Paver; Bulldozer or Endloader; Concrete Batch Plant, Batch Hopper; Concrete Breaker (Large, Auto, Vibratory/Sonic, Manual or Remote); Concrete Bump Cutter, Grinder, Planing or Grooving Machine; Concrete Conveyor System; Concrete Laser/Screed; Concrete Paver (Slipform); Concrete Pump, Concrete Conveyor (Rotec or Bidwell Type); Concrete Slipform Placer Curb &amp; Gutter Machine; Concrete Spreader &amp; Distributor; Crane (Carry Deck, Mini) or Truck Mounted Hydraulic Crane (10 Tons or Under); Crane Wlth a Lifting Capacity of 25 Tons or Under; Forestry Equipment, Timbco, Tree Shear, Tub Grinder, Processor; Gradall (Cruz-Aire Type); Grader or Motor Patrol; Grout Pump; Hydro-Blaster (10,000 PSI or Over); Loading Machine (Conveyor); Material or Stack Hoist; Mechanic or Welder; Milling Machine; Post Hole Digger or Driver; Roller (Over 5 Ton); Scraper (Self Propelled or Tractor Drawn) 5 cu yds or More Capacity; Shoulder Widener; Sideboom; Skid Rig; Stabilizing or Concrete Mixer (Self-Propelled or 14S or Over); Straddle Carrier or Travel Lift; Tractor (Scraper, Dozer, Pusher, Loader); Tractor or Truck Mounted Hydraulic Backhoe; Trencher (Wheel Type or Chain Type); Tube Finisher; Tugger (NOT Performing Work on the Great Lakes); Winches &amp; A-Frames.</p> <p>Future Increase(s):                      Add \$1.25/hr on 6/1/2015; Add \$1.30/hr on 6/1/2016;                      Add \$1.25/hr on 6/1/2017.</p> <p>Premium Increase(s):                      DOT PREMIUMS: 1) Pay two times the hourly basic rate on Sunday, New Year's Day, Memorial Day, Independence Day, Labor Day, Thanksgiving Day &amp; Christmas Day. 2) Add \$1.50/hr night work premium. See DOT'S website for details about the applicability of this night work premium at: <a href="http://www.dot.wi.gov/business/civilrights/laborwages/pwc.htm">http://www.dot.wi.gov/business/civilrights/laborwages/pwc.htm</a>.</p>	36.72	21.15	57.87

<b>Fringe Benefits Must Be Paid On <u>All</u> Hours Worked</b>		<b>HOURLY BASIC RATE OF PAY</b>	<b>HOURLY FRINGE BENEFITS</b>	<b>TOTAL</b>
<b>CODE</b>	<b>TRADE OR OCCUPATION</b>	<b>\$</b>	<b>\$</b>	<b>\$</b>
534	<p>Belting, Burlap, Texturing Machine; Broom or Sweeper; Compactor (Self-Propelled or Tractor Mounted, Towed &amp; Light Equipment); Concrete Finishing Machine (Road Type); Environmental Burner; Farm or Industrial Type Tractor; Fireman (Asphalt Plant, Pile Driver &amp; Derrick NOT Performing Work on the Great Lakes); Forklift; Greaser; Hoist (Tugger, Automatic); Jeep Digger; Joint Sawyer (Multiple Blade); Launch (NOT Performing Work on the Great Lakes); Lift Slab Machine; Mechanical Float; Mulcher; Power Subgrader; Robotic Tool Carrier (With or Without Attachments); Roller (Rubber Tire, 5 Ton or Under); Self Propelled Chip Spreader; Shouldering Machine; Skid Steer Loader (With or Without Attachments); Telehandler; Tining or Curing Machine.</p> <p>Future Increase(s): Add \$1.25/hr on 6/1/2015; Add \$1.30/hr on 6/1/2016; Add \$1.25/hr on 6/1/2017.</p> <p>Premium Increase(s): DOT PREMIUMS: 1) Pay two times the hourly basic rate on Sunday, New Year's Day, Memorial Day, Independence Day, Labor Day, Thanksgiving Day &amp; Christmas Day. 2) Add \$1.50/hr night work premium. See DOT'S website for details about the applicability of this night work premium at: <a href="http://www.dot.wi.gov/business/civilrights/laborwages/pwc.htm">http://www.dot.wi.gov/business/civilrights/laborwages/pwc.htm</a>.</p>	36.46	21.15	57.61
535	<p>Air Compressor (&amp;/or 400 CFM or Over); Air, Electric or Hydraulic Jacking System; Augers (Vertical &amp; Horizontal); Automatic Belt Conveyor &amp; Surge Bin; Boiler (Temporary Heat); Concrete Proportioning Plant; Crusher, Screening or Wash Plant; Generator (&amp;/or 150 KW or Over); Heaters (Mechanical); High Pressure Utility Locating Machine (Daylighting Machine); Mudjack; Oiler; Prestress Machine; Pug Mill; Pump (3 Inch or Over) or Well Points; Rock, Stone Breaker; Screed (Milling Machine); Stump Chipper; Tank Car Heaters; Vibratory Hammer or Extractor, Power Pack.</p> <p>Future Increase(s): Add \$1.25/hr on 6/1/2015; Add \$1.30/hr on 6/1/2016; Add \$1.25/hr on 6/1/2017.</p> <p>Premium Increase(s): DOT PREMIUMS: 1) Pay two times the hourly basic rate on Sunday, New Year's Day, Memorial Day, Independence Day, Labor Day, Thanksgiving Day &amp; Christmas Day. 2) Add \$1.50/hr night work premium. See DOT'S website for details about the applicability of this night work premium at: <a href="http://www.dot.wi.gov/business/civilrights/laborwages/pwc.htm">http://www.dot.wi.gov/business/civilrights/laborwages/pwc.htm</a>.</p>	36.17	21.15	57.32
536	Fiber Optic Cable Equipment.	28.89	17.95	46.84
537	Work Performed on the Great Lakes Including Diver; Wet Tender or Hydraulic Dredge Engineer.	41.65	21.71	63.36
538	Work Performed on the Great Lakes Including 70 Ton & Over Tug Operator; Assistant Hydraulic Dredge Engineer; Crane or Backhoe Operator; Hydraulic Dredge Leverman or Diver's Tender; Mechanic or Welder.	41.65	21.71	63.36



<b>Fringe Benefits Must Be Paid On <u>All</u> Hours Worked</b>		<b>HOURLY BASIC RATE OF PAY</b>	<b>HOURLY FRINGE BENEFITS</b>	<b>TOTAL</b>
<b>CODE</b>	<b>TRADE OR OCCUPATION</b>	<b>\$</b>	<b>\$</b>	<b>\$</b>
539	Work Performed on the Great Lakes Including Deck Equipment Operator or Machineryman (Maintains Cranes Over 50 Tons or Backhoes 115,000 Lbs. or More); Tug, Launch or Loader, Dozer or Like Equipment When Operated on a Barge, Breakwater Wall, Slip, Dock or Scow, Deck Machinery.	35.72	17.85	53.57
540	Work Performed on the Great Lakes Including Deck Equipment Operator, Machineryman or Fireman (Operates 4 Units or More or Maintains Cranes 50 Tons or Under or Backhoes 115,000 Lbs. or Under); Deck Hand, Deck Engineer or Assistant Tug Operator; Off Road Trucks-Great Lakes ONLY.	35.46	20.40	55.86

<b>LOCAL STREET OR MISCELLANEOUS PAVING CONSTRUCTION</b>
--

Includes roads, streets, alleys, trails, bridges, paths, racetracks, parking lots and driveways (except residential or agricultural), public sidewalks or other similar projects (excluding projects awarded by the Wisconsin Department of Transportation).

---

**SKILLED TRADES**

---

<b>CODE</b>	<b>TRADE OR OCCUPATION</b>	<b>HOURLY BASIC RATE OF PAY</b>	<b>HOURLY FRINGE BENEFITS</b>	<b>TOTAL</b>
		\$	\$	\$
103	Bricklayer, Blocklayer or Stonemason	32.09	18.04	50.13
105	Carpenter Future Increase(s): Add \$1.42/hr on 6/1/2015; Add \$1.42/hr on 6/1/2016. Premium Increase(s): DOT PREMIUM: Pay two times the hourly basic rate on Sunday, New Year's Day, Memorial Day, Independence Day, Labor Day, Thanksgiving Day & Christmas Day.	32.72	16.00	48.72
107	Cement Finisher Future Increase(s): Add \$1.87 on 6/1/15; Add \$1.75 on 6/1/16. Premium Increase(s): DOT PREMIUMS: 1) Pay two times the hourly basic rate on Sunday, New Year's Day, Memorial Day, Independence Day, Labor Day, Thanksgiving Day & Christmas Day. 2) Add \$1.40/hr when the Wisconsin Department of Transportation or responsible governing agency requires that work be performed at night under artificial illumination with traffic control and the work is completed after sunset and before sunrise.	35.18	16.78	51.96
109	Electrician	35.72	19.17	54.89
111	Fence Erector	18.00	6.09	24.09
116	Ironworker	31.50	20.01	51.51
118	Line Constructor (Electrical)	39.50	17.73	57.23
124	Painter	25.75	16.60	42.35
125	Pavement Marking Operator	30.10	17.34	47.44
126	Piledriver	29.56	25.71	55.27
133	Rofer or Waterproofer	29.40	11.31	40.71
137	Teledata Technician or Installer	22.25	12.24	34.49
143	Tuckpointer, Caulker or Cleaner	23.60	7.10	30.70
144	Underwater Diver (Except on Great Lakes)	35.40	15.90	51.30
150	Heavy Equipment Operator - ELECTRICAL LINE CONSTRUCTION ONLY	35.55	15.57	51.12

<b>Fringe Benefits Must Be Paid On <u>All</u> Hours Worked</b>		<b>HOURLY BASIC RATE OF PAY</b>	<b>HOURLY FRINGE BENEFITS</b>	<b>TOTAL</b>
<b>CODE</b>	<b>TRADE OR OCCUPATION</b>	<b>\$</b>	<b>\$</b>	<b>\$</b>
151	Light Equipment Operator -ELECTRICAL LINE CONSTRUCTION ONLY	31.60	15.19	46.79
152	Heavy Truck Driver - ELECTRICAL LINE CONSTRUCTION ONLY	27.65	13.44	41.09
153	Light Truck Driver - ELECTRICAL LINE CONSTRUCTION ONLY	25.68	13.28	38.96
154	Groundman - ELECTRICAL LINE CONSTRUCTION ONLY	21.75	12.97	34.72

---

**TRUCK DRIVERS**

---

<b>Fringe Benefits Must Be Paid On <u>All</u> Hours Worked</b>		<b>HOURLY BASIC RATE OF PAY</b>	<b>HOURLY FRINGE BENEFITS</b>	<b>TOTAL</b>
<b>CODE</b>	<b>TRADE OR OCCUPATION</b>	<b>\$</b>	<b>\$</b>	<b>\$</b>
201	Single Axle or Two Axle Future Increase(s): Add \$1.15/hr on 6/1/2015. Premium Increase(s): DOT PREMIUM: Pay two times the hourly basic rate on Sunday, New Year's Day, Memorial Day, Independence Day, Labor Day, Thanksgiving Day & Christmas Day.	25.18	18.31	43.49
203	Three or More Axle	16.00	0.00	16.00
204	Articulated, Euclid, Dumptor, Off Road Material Hauler Future Increase(s): Add \$1.60/hr on 6/2/2015; Add \$1.60/hr on 6/3/2016.	33.69	19.78	53.47
205	Pavement Marking Vehicle	20.85	11.02	31.87
206	Shadow or Pilot Vehicle	24.37	17.77	42.14
207	Truck Mechanic	16.00	0.00	16.00

---

**LABORERS**

---

<b>Fringe Benefits Must Be Paid On <u>All</u> Hours Worked</b>		<b>HOURLY BASIC RATE OF PAY</b>	<b>HOURLY FRINGE BENEFITS</b>	<b>TOTAL</b>
<b>CODE</b>	<b>TRADE OR OCCUPATION</b>	<b>\$</b>	<b>\$</b>	<b>\$</b>
301	General Laborer	29.32	12.44	41.76
303	Landscaper Future Increase(s): Add \$1.05/hr eff. 06/01/2015; Add \$1.00/hr eff. 06/01/2016; Add \$1.00/hr eff. 06/01/2017 Premium Increase(s):	30.13	15.14	45.27

**Fringe Benefits Must Be Paid On All Hours Worked**

<u>CODE</u>	<u>TRADE OR OCCUPATION</u>	<u>HOURLY BASIC RATE OF PAY</u> \$	<u>HOURLY FRINGE BENEFITS</u> \$	<u>TOTAL</u> \$
	DOT PREMIUMS: 1) Pay two times the hourly basic rate on Sunday, New Year's Day, Memorial Day, Independence Day, Labor Day, Thanksgiving Day & Christmas Day. 2) Add \$1.25/hr for work on projects involving temporary traffic control setup, for lane and shoulder closures, when work under artificial illumination conditions is necessary as required by the project provisions (including prep time prior to and/or cleanup after such time period).			
304	Flagperson or Traffic Control Person	19.06	14.29	33.35
311	Fiber Optic Laborer (Outside, Other Than Concrete Encased)	18.33	13.65	31.98
314	Railroad Track Laborer	14.50	5.29	19.79

**HEAVY EQUIPMENT OPERATORS  
CONCRETE PAVEMENT OR BRIDGE WORK**

**Fringe Benefits Must Be Paid On All Hours Worked**

<u>CODE</u>	<u>TRADE OR OCCUPATION</u>	<u>HOURLY BASIC RATE OF PAY</u> \$	<u>HOURLY FRINGE BENEFITS</u> \$	<u>TOTAL</u> \$
541	Crane, Tower Crane, Pedestal Tower or Derrick, With or Without Attachments, With a Lifting Capacity of Over 100 Tons, Self-Erecting Tower Crane With a Lifting Capacity Of Over 4,000 Lbs., Crane With Boom Dollies; Crane, Tower Crane, Pedestal Tower or Derrick, With Boom, Leads &/or Jib Lengths Measuring 176 Ft or Over; Master Mechanic. Future Increase(s): Add \$1.25/hr on 6/1/2015; Add \$1.30/hr on 6/1/2016; Add \$1.25/hr on 6/1/2017. Premium Increase(s): DOT PREMIUMS: 1) Pay two times the hourly basic rate on Sunday, New Year's Day, Memorial Day, Independence Day, Labor Day, Thanksgiving Day & Christmas Day. 2) Add \$1.50/hr night work premium. See DOT'S website for details about the applicability of this night work premium at: <a href="http://www.dot.wi.gov/business/civilrights/laborwages/pwc.htm">http://www.dot.wi.gov/business/civilrights/laborwages/pwc.htm</a> .	37.72	21.15	58.87

<b>Fringe Benefits Must Be Paid On <u>All</u> Hours Worked</b>		<b>HOURLY BASIC RATE OF PAY</b>	<b>HOURLY FRINGE BENEFITS</b>	<b>TOTAL</b>
<b>CODE</b>	<b>TRADE OR OCCUPATION</b>	<b>\$</b>	<b>\$</b>	<b>\$</b>
542	<p>Backhoe (Track Type) Having a Mfgr.'s Rated Capacity of 130,000 Lbs. or Over; Caisson Rig; Crane, Tower Crane, Portable Tower, Pedestal Tower or Derrick, With or Without Attachments, With a Lifting Capacity of 100 Tons or Under, Self-Erecting Tower Crane With a Lifting Capacity of 4,000 Lbs. &amp; Under; Crane, Tower Crane Portable Tower, Pedestal Tower or Derrick, With Boom, Leads &amp;/or Jib Lengths Measuring 175 Ft or Under; Dredge (NOT Performing Work on the Great Lakes); Licensed Boat Pilot (NOT Performing Work on the Great Lakes); Pile Driver.</p> <p>Future Increase(s):            Add \$1.25/hr on 6/1/2015; Add \$1.30/hr on 6/1/2016;            Add \$1.25/hr on 6/1/2017.</p> <p>Premium Increase(s):            DOT PREMIUMS: 1) Pay two times the hourly basic rate on Sunday, New Year's Day, Memorial Day, Independence Day, Labor Day, Thanksgiving Day &amp; Christmas Day. 2) Add \$1.50/hr night work premium.            See DOT'S website for details about the applicability of this night work premium at: <a href="http://www.dot.wi.gov/business/civilrights/laborwages/pwc.htm">http://www.dot.wi.gov/business/civilrights/laborwages/pwc.htm</a>.</p>	37.22	21.15	58.37
543	<p>Air Track, Rotary or Percussion Drilling Machine &amp;/or Hammers, Blaster; Automatic Subgrader (Concrete); Backhoe (Track Type) Having a Mfgr.'s Rated Capacity of Under 130,000 Lbs., Backhoe (Mini, 15,000 Lbs. &amp; Under); Boring Machine (Directional, Horizontal or Vertical); Bridge (Bidwell) Paver; Bulldozer or Endloader; Concrete Batch Plant, Batch Hopper; Concrete Breaker (Large, Auto, Vibratory/Sonic, Manual or Remote); Concrete Bump Cutter, Grinder, Planing or Grooving Machine; Concrete Conveyor System; Concrete Laser/Screed; Concrete Paver (Slipform); Concrete Pump, Concrete Conveyor (Rotec or Bidwell Type); Concrete Slipform Placer Curb &amp; Gutter Machine; Concrete Spreader &amp; Distributor; Crane (Carry Deck, Mini) or Truck Mounted Hydraulic Crane (10 Tons or Under); Crane With a Lifting Capacity of 25 Tons or Under; Forestry Equipment, Timbco, Tree Shear, Tub Grinder, Processor; Gradall (Cruz-Aire Type); Grader or Motor Patrol; Grout Pump; Hydro-Blaster (10,000 PSI or Over); Loading Machine (Conveyor); Manhoist; Material or Stack Hoist; Mechanic or Welder; Milling Machine; Post Hole Digger or Driver; Scraper (Self Propelled or Tractor Drawn) 5 cu yds or More Capacity; Shoulder Widener; Sideboom; Skid Rig; Stabilizing or Concrete Mixer (Self-Propelled or 14S or Over); Straddle Carrier or Travel Lift; Tractor (Scraper, Dozer, Pusher, Loader); Tractor or Truck Mounted Hydraulic Backhoe; Trencher (Wheel Type or Chain Type); Tube Finisher; Tugger (NOT Performing Work on the Great Lakes); Winches &amp; A-Frames.</p>	35.72	17.85	53.57

<b>Fringe Benefits Must Be Paid On <u>All</u> Hours Worked</b>		<b>HOURLY BASIC RATE OF PAY</b>	<b>HOURLY FRINGE BENEFITS</b>	<b>TOTAL</b>
<b>CODE</b>	<b>TRADE OR OCCUPATION</b>	<b>\$</b>	<b>\$</b>	<b>\$</b>
544	Backfiller; Belting, Burlap, Texturing Machine; Broom or Sweeper; Compactor (Self-Propelled or Tractor Mounted, Towed & Light Equipment); Concrete Finishing Machine (Road Type); Environmental Burner; Farm or Industrial Type Tractor; Fireman (Pile Driver & Derrick NOT Performing Work on the Great Lakes); Forklift; Greaser; Jeep Digger; Joint Sawyer (Multiple Blade); Launch (NOT Performing Work on the Great Lakes); Lift Slab Machine; Mechanical Float; Mulcher; Power Subgrader; Robotic Tool Carrier (With or Without Attachments); Self Propelled Chip Spreader; Shouldering Machine; Skid Steer Loader (With or Without Attachments); Telehandler; Tining or Curing Machine. Future Increase(s): Add \$1.25/hr on 6/1/2015; Add \$1.30/hr on 6/1/2016; Add \$1.25/hr on 6/1/2017. Premium Increase(s): DOT PREMIUMS: 1) Pay two times the hourly basic rate on Sunday, New Year's Day, Memorial Day, Independence Day, Labor Day, Thanksgiving Day & Christmas Day. 2) Add \$1.50/hr night work premium. See DOT'S website for details about the applicability of this night work premium at: <a href="http://www.dot.wi.gov/business/civilrights/laborwages/pwc.htm">http://www.dot.wi.gov/business/civilrights/laborwages/pwc.htm</a> .	36.46	21.15	57.61
545	Air Compressor (&/or 400 CFM or Over); Air, Electric or Hydraulic Jacking System; Automatic Belt Conveyor & Surge Bin; Boiler (Temporary Heat); Concrete Proportioning Plant; Crusher, Screening or Wash Plant; Generator (&/or 150 KW or Over); Heaters (Mechanical); High Pressure Utility Locating Machine (Daylighting Machine); Mudjack; Oiler; Prestress Machine; Pug Mill; Pump (3 Inch or Over) or Well Points; Rock, Stone Breaker; Screed (Milling Machine); Stump Chipper; Tank Car Heaters; Vibratory Hammer or Extractor, Power Pack.	35.17	20.40	55.57
546	Fiber Optic Cable Equipment.	28.89	17.95	46.84
547	Work Performed on the Great Lakes Including Diver; Wet Tender or Hydraulic Dredge Engineer.	41.65	21.71	63.36
548	Work Performed on the Great Lakes Including 70 Ton & Over Tug Operator; Assistant Hydraulic Dredge Engineer; Crane or Backhoe Operator; Hydraulic Dredge Leverman or Diver's Tender; Mechanic or Welder.	41.65	21.71	63.36
549	Work Performed on the Great Lakes Including Deck Equipment Operator or Machineryman (Maintains Cranes Over 50 Tons or Backhoes 115,000 Lbs. or more); Tug, Launch or Loader, Dozer or Like Equipment When Operated on a Barge, Breakwater Wall, Slip, Dock or Scow, Deck Machinery.	35.72	17.85	53.57
550	Work Performed on the Great Lakes Including Deck Equipment Operator; Machineryman or Fireman (Operates 4 Units or More or Maintains Cranes 50 Tons or Under or Backhoes 115,000 Lbs. or Under); Deck Hand, Deck Engineer or Assistant Tug Operator; Off Road Trucks - Great Lakes ONLY.	35.46	20.40	55.86

**HEAVY EQUIPMENT OPERATORS  
ASPHALT PAVEMENT OR OTHER WORK**

<b>Fringe Benefits Must Be Paid On <u>All</u> Hours Worked</b>				
<b>CODE</b>	<b>TRADE OR OCCUPATION</b>	<b>HOURLY BASIC RATE OF PAY</b>	<b>HOURLY FRINGE BENEFITS</b>	<b>TOTAL</b>
		\$	\$	\$
551	Crane, Tower Crane, Pedestal Tower or Derrick, With or Without Attachments, With a Lifting Capacity of Over 100 Tons, Self Erecting Tower Crane With a Lifting Capacity of Over 4,000 Lbs., Crane With Boom Dollies; Crane, Tower Crane, Pedestal Tower or Derrick, With Boom, Leads and/or Jib Lengths Measuring 176 Ft or Over; Master Mechanic.	36.72	20.40	57.12
552	Backhoe (Track Type) Having a Mfgr.'s Rated Capacity of 130,000 Lbs. or Over; Caisson Rig; Crane, Tower Crane, Portable Tower, Pedestal Tower or Derrick, With or Without Attachments, With a Lifting Capacity of 100 Tons or Under, Self-Erecting Tower Crane With a Lifting Capacity Of 4,000 Lbs. & Under; Crane, Tower Crane, Portable Tower, Pedestal Tower or Derrick, With Boom, Leads &/or Jib Lengths Measuring 175 Ft or Under; Dredge (NOT Performing Work on the Great Lakes); Licensed Boat Pilot (NOT Performing Work on the Great Lakes); Pile Driver. Future Increase(s): Add \$1.25/hr on 6/1/2015; Add \$1.30/hr on 6/1/2016; Add \$1.25/hr on 6/1/2017. Premium Increase(s): DOT PREMIUMS: 1) Pay two times the hourly basic rate on Sunday, New Year's Day, Memorial Day, Independence Day, Labor Day, Thanksgiving Day & Christmas Day. 2) Add \$1.50/hr night work premium. See DOT'S website for details about the applicability of this night work premium at: <a href="http://www.dot.wi.gov/business/civilrights/laborwages/pwc.htm">http://www.dot.wi.gov/business/civilrights/laborwages/pwc.htm</a> .	37.22	21.15	58.37
553	Air, Track, Rotary or Percussion Drilling Machine &/or Hammers, Blaster; Asphalt Heater, Planer & Scarifier; Asphalt Milling Machine; Asphalt Screed; Backhoe (Track Type) Having a Mfgr.'s Rated Capacity of Under 130,000 Lbs., Backhoe (Mini, 15,000 Lbs. & Under); Bituminous (Asphalt) Plant & Paver, Screed; Boring Machine (Directional, Horizontal or Vertical); Bulldozer or Endloader; Concrete Breaker (Large, Auto, Vibratory/Sonic, Manual or Remote); Concrete Conveyor System; Concrete Laser/Screed; Concrete Slipform Placer Curb & Gutter Machine; Crane (Carry Deck, Mini) or Truck Mounted Hydraulic Crane (10 Tons or Under); Crane With a Lifting Capacity of 25 Tons or Under; Forestry Equipment, Timbco, Tree Shear, Tub Grinder, Processor; Gradall (Cruz-Aire Type); Grader or Motor Patrol; Hydro-Blaster (10,000 PSI or Over); Loading Machine (Conveyor); Manhoist; Material or Stack Hoist; Mechanic or Welder; Milling Machine; Post Hole Digger or Driver; Railroad Track Rail Leveling Machine, Tie Placer, Extractor, Tamper, Stone Leveler or Rehabilitation Equipment; Roller (Over 5 Ton); Scraper (Self Propelled or Tractor Drawn) 5 cu yds or More Capacity; Shoulder Widener; Sideboom; Skid Rig; Stabilizing or Concrete Mixer (Self-Propelled or 14S or Over); Tractor (Scraper, Dozer, Pusher, Loader); Tractor or Truck Mounted Hydraulic Backhoe; Trencher (Wheel Type or Chain Type); Tube Finisher; Tugger (NOT Performing Work on the Great Lakes); Winches & A-Frames. Future Increase(s): Add \$1.60/hr on 6/2/2015; Add \$1.60/hr on 6/3/2016.	33.69	19.78	53.47

<b>Fringe Benefits Must Be Paid On <u>All</u> Hours Worked</b>		<b>HOURLY BASIC RATE OF PAY</b>	<b>HOURLY FRINGE BENEFITS</b>	<b>TOTAL</b>
<b>CODE</b>	<b>TRADE OR OCCUPATION</b>	<b>\$</b>	<b>\$</b>	<b>\$</b>
554	Backfiller; Broom or Sweeper; Compactor (Self-Propelled or Tractor Mounted, Towed & Light Equipment); Concrete Finishing Machine (Road Type); Environmental Burner; Farm or Industrial Type Tractor; Fireman (Asphalt Plant, Pile Driver & Derrick NOT Performing Work on the Great Lakes); Forklift; Greaser; Hoist (Tugger, Automatic); Jeep Digger; Joint Sawyer (Multiple Blade); Launch (NOT Performing Work on the Great Lakes); Lift Slab Machine; Mechanical Float; Mulcher; Power Subgrader; Robotic Tool Carrier (With or Without Attachments); Roller (Rubber Tire, 5 Ton or Under); Self-Propelled Chip Spreader; Shouldering Machine; Skid Steer Loader (With or Without Attachments); Telehandler. Future Increase(s): Add \$1.25/hr on 6/1/2015; Add \$1.30/hr on 6/1/2016; Add \$1.25/hr on 6/1/2017.	36.17	20.80	56.97
555	Air Compressor (&/or 400 CFM or Over); Air, Electric or Hydraulic Jacking System; Augers (Vertical & Horizontal); Automatic Belt Conveyor & Surge Bin; Boiler (Temporary Heat); Crusher, Screening or Wash Plant; Generator (&/or 150 KW or Over); Heaters (Mechanical); High Pressure Utility Locating Machine (Daylighting Machine); Mudjack; Oiler; Prestress Machine; Pug Mill; Pump (3 Inch or Over) or Well Points; Rock, Stone Breaker; Screed (Milling Machine); Stump Chipper; Tank Car Heaters; Vibratory Hammer or Extractor, Power Pack. Future Increase(s): Add \$1.25/hr on 6/1/2015; Add \$1.30/hr on 6/1/2016; Add \$1.25/hr on 6/1/2017. Premium Increase(s): DOT PREMIUMS: 1) Pay two times the hourly basic rate on Sunday, New Year's Day, Memorial Day, Independence Day, Labor Day, Thanksgiving Day & Christmas Day. 2) Add \$1.50/hr night work premium. See DOT'S website for details about the applicability of this night work premium at: <a href="http://www.dot.wi.gov/business/civilrights/laborwages/pwc.htm">http://www.dot.wi.gov/business/civilrights/laborwages/pwc.htm</a> .	36.17	21.15	57.32
556	Fiber Optic Cable Equipment.	27.89	17.20	45.09



<b>RESIDENTIAL OR AGRICULTURAL CONSTRUCTION</b>
---

Includes single family houses or apartment buildings of no more than four (4) stories in height and all buildings, structures or facilities that are primarily used for agricultural or farming purposes, excluding commercial buildings. For classification purposes, the exterior height of a residential building, in terms of stories, is the primary consideration. All incidental items such as site work, driveways, parking lots, private sidewalks, private septic systems or sewer and water laterals connected to a public system and swimming pools are included within this definition. Residential buildings of five (5) stories and above are NOT included within this definition.

---

**SKILLED TRADES**

---

<u>CODE</u>	<u>TRADE OR OCCUPATION</u>	<b>Fringe Benefits Must Be Paid On <u>All</u> Hours Worked</b>		
		<b>HOURLY BASIC RATE OF PAY</b>	<b>HOURLY FRINGE BENEFITS</b>	<b>TOTAL</b>
		\$	\$	\$
101	Acoustic Ceiling Tile Installer	33.07	16.07	49.14
102	Boilermaker	32.05	28.04	60.09
103	Bricklayer, Blocklayer or Stonemason Future Increase(s): Add \$1.40 on 06/01/2015; Add \$1.45 on 06/06/2016 Premium Increase(s): DOT PREMIUM: Pay two times the hourly basic rate on Sunday, New Year's Day, Memorial Day, Independence Day, Labor Day, Thanksgiving Day & Christmas Day.	32.82	18.66	51.48
104	Cabinet Installer	34.42	0.00	34.42
105	Carpenter	31.40	2.01	33.41
106	Carpet Layer or Soft Floor Coverer	30.00	0.00	30.00
107	Cement Finisher	24.08	0.00	24.08
108	Drywall Taper or Finisher	8.50	0.00	8.50
109	Electrician	20.00	6.62	26.62
110	Elevator Constructor	23.26	0.00	23.26
111	Fence Erector	16.00	3.76	19.76
112	Fire Sprinkler Fitter	39.00	18.00	57.00
113	Glazier Future Increase(s): Add \$.75/hr eff. 06/01/2015; Add \$.90/hr eff. 06/01/2016	37.07	14.42	51.49
114	Heat or Frost Insulator	33.43	25.81	59.24
115	Insulator (Batt or Blown)	23.00	10.55	33.55
116	Ironworker	31.50	20.01	51.51
117	Lather	31.40	2.01	33.41
119	Marble Finisher	16.25	2.32	18.57
120	Marble Mason	32.09	18.04	50.13

<b>Fringe Benefits Must Be Paid On <u>All</u> Hours Worked</b>		<b>HOURLY BASIC RATE OF PAY</b>	<b>HOURLY FRINGE BENEFITS</b>	<b>TOTAL</b>
<b>CODE</b>	<b>TRADE OR OCCUPATION</b>	<b>\$</b>	<b>\$</b>	<b>\$</b>
121	Metal Building Erector	18.00	5.88	23.88
123	Overhead Door Installer	16.65	1.03	17.68
124	Painter	25.75	8.94	34.69
125	Pavement Marking Operator	18.75	2.47	21.22
129	Plasterer	25.00	10.45	35.45
130	Plumber	30.00	10.44	40.44
132	Refrigeration Mechanic	17.00	13.56	30.56
133	Roofer or Waterproofer	15.00	1.37	16.37
134	Sheet Metal Worker	22.54	5.20	27.74
135	Steamfitter	23.62	16.12	39.74
137	Teledata Technician or Installer	18.00	28.48	46.48
138	Temperature Control Installer	22.00	1.62	23.62
139	Terrazzo Finisher	16.25	2.32	18.57
140	Terrazzo Mechanic	30.71	16.52	47.23
141	Tile Finisher	23.85	17.18	41.03
142	Tile Setter Future Increase(s): Add \$1.40/hr on 6/01/2015; Add \$1.45/hr on 6/06/2016.	31.55	18.26	49.81
143	Tuckpointer, Caulker or Cleaner	14.00	8.75	22.75
146	Well Driller or Pump Installer	12.75	9.50	22.25
147	Siding Installer	17.25	0.00	17.25

#### TRUCK DRIVERS

<b>Fringe Benefits Must Be Paid On <u>All</u> Hours Worked</b>		<b>HOURLY BASIC RATE OF PAY</b>	<b>HOURLY FRINGE BENEFITS</b>	<b>TOTAL</b>
<b>CODE</b>	<b>TRADE OR OCCUPATION</b>	<b>\$</b>	<b>\$</b>	<b>\$</b>
201	Single Axle or Two Axle	16.50	0.00	16.50
203	Three or More Axle	18.00	2.44	20.44
205	Pavement Marking Vehicle	20.85	11.02	31.87
207	Truck Mechanic	18.00	2.44	20.44

**LABORERS**

<b>Fringe Benefits Must Be Paid On <u>All</u> Hours Worked</b>		<b>HOURLY BASIC RATE OF PAY</b>	<b>HOURLY FRINGE BENEFITS</b>	<b>TOTAL</b>
<b>CODE</b>	<b>TRADE OR OCCUPATION</b>	<b>\$</b>	<b>\$</b>	<b>\$</b>
301	General Laborer	24.21	8.02	32.23
302	Asbestos Abatement Worker	16.50	8.21	24.71
303	Landscaper	12.00	0.00	12.00
311	Fiber Optic Laborer (Outside, Other Than Concrete Encased)	18.33	13.65	31.98
315	Final Construction Clean-Up Worker	10.00	3.47	13.47

**HEAVY EQUIPMENT OPERATORS  
RESIDENTIAL OR AGRICULTURAL CONSTRUCTION**

<b>Fringe Benefits Must Be Paid On <u>All</u> Hours Worked</b>		<b>HOURLY BASIC RATE OF PAY</b>	<b>HOURLY FRINGE BENEFITS</b>	<b>TOTAL</b>
<b>CODE</b>	<b>TRADE OR OCCUPATION</b>	<b>\$</b>	<b>\$</b>	<b>\$</b>
557	Asphalt Heater, Planer & Scarifier; Asphalt Milling Machine; Asphalt Screed; Backhoe (Track Type); Backhoe (Mini, 15,000 Lbs. & Under); Bituminous (Asphalt) Plant & Paver, Screed; Boring Machine (Directional, Horizontal or Vertical); Bulldozer or Endloader; Concrete Breaker (Large, Auto, Vibratory/Sonic, Manual or Remote); Concrete Bump Cutter, Grinder, Planing or Grooving Machine; Concrete Conveyor System; Concrete Laser/Screed; Concrete Paver (Slipform); Concrete Pump, Concrete Conveyor (Rotec or Bidwell Type); Concrete Slipform Placer Curb & Gutter Machine; Concrete Spreader & Distributor; Crane (Carry Deck, Mini) or Truck Mounted Hydraulic Crane (10 Tons or Under); Crane With a Lifting Capacity of 25 Tons or Under; Crane, Shovel, Dragline, Clamshells; Forestry Equipment, Timberco, Tree Shear, Tub Grinder, Processor; Grader or Motor Patrol; Grout Pump; Hydro-Blaster (10,000 PSI or Over); Loading Machine (Conveyor); Manhoist; Material or Stack Hoist; Mechanic or Welder; Milling Machine; Roller (Over 5 Ton); Scraper (Self Propelled or Tractor Drawn) 5 cu yds or More Capacity; Shoulder Widener; Skid Rig; Stabilizing or Concrete Mixer (Self-Propelled or 14S or Over); Tractor (Scraper, Dozer, Pusher, Loader); Tractor or Truck Mounted Hydraulic Backhoe; Tractor or Truck Mounted Hydraulic Crane (10 Tons or Under); Trencher (Wheel Type or Chain Type); Winches & A-Frames.	34.22	19.78	54.00

Future Increase(s):

Add \$1.60/hr on 6/2/2015; Add \$1.60/hr on 6/3/2016.

558	Air Compressor (&/or 400 CFM or Over); Air, Electric or Hydraulic Jacking System; Backfiller; Belting, Burlap, Texturing Machine; Boiler (Temporary Heat); Broom or Sweeper; Compactor (Self-Propelled or Tractor Mounted, Towed & Light Equipment); Concrete Finishing Machine (Road Type); Farm or Industrial Type Tractor; Forklift; Generator (&/or 150 KW or Over); Heaters (Mechanical); High Pressure Utility Locating Machine (Daylighting Machine); Jeep Digger; Lift Slab Machine; Mulcher; Oiler; Post Hole Digger or Driver; Power Subgrader; Pump (3 Inch or Over) or Well Points; Robotic Tool Carrier (With or Without Attachments); Rock, Stone Breaker; Roller (Rubber Tire, 5 Tons or Under); Screed (Milling Machine); Self Propelled Chip Spreader; Shouldering Machine; Skid Steer Loader (With or Without Attachments); Stump Chipper; Telehandler; Vibratory Hammer or Extractor, Power Pack.	36.72	21.15	57.87
-----	--	-------	-------	-------

Future Increase(s):

- Add \$1.25/hr on 6/1/2015; Add \$1.30/hr on 6/1/2016;
- Add \$1.25/hr on 6/1/2017.

Premium Increase(s):

DOT PREMIUMS: 1) Pay two times the hourly basic rate on Sunday, New Year's Day, Memorial Day, Independence Day, Labor Day, Thanksgiving Day & Christmas Day. 2) Add \$1.50/hr night work premium. See DOT'S website for details about the applicability of this night work premium at: <http://www.dot.wi.gov/business/civilrights/laborwages/pwc.htm>.

\*\*\*\*\* END OF RATES \*\*\*\*\*

---

## PREVAILING WAGE – Contractors

Any public works project that has a total estimated project cost that equals or exceeds prevailing wage project thresholds requires a prevailing wage rate determination issued by the Department of Workforce Development (DWD). Public works include erecting, constructing, remodeling, repairing, demolishing, alterations, painting and decorating projects for a local governmental unit or state agency. State law excludes minor service or maintenance work, warranty work, or work under a supply-and-installation contract. There is a statutory definition for most of these exclusions. The prevailing wage laws that apply to local governmental units and their contractors are §§66.0903 and 103.503, Wis. Stats. The prevailing wage laws that apply to state agencies and their contractors are §§103.49 and 103.503, Wis. Stats. The applicable administrative rules for all prevailing wage projects are DWD 290 and DWD 294, Wis. Adm. Code. These laws include provisions that apply to all contractors and subcontractors working on prevailing wage projects.

Any contractor or subcontractor working on a local governmental unit or state agency's public works project that equals or exceeds current prevailing wage project thresholds must do all of the following:

- Receive and review the project's prevailing wage rate determination (i.e., white sheet).
- Tell subcontractors the project is subject to state prevailing wage law and include the prevailing wage rate determination in the construction contract, or if there is no written contract, provide a copy of the project determination to each subcontractor.
- Hire subcontractors who do *not* appear on the "Consolidated List of Debarred Contractors."
- Have a written substance abuse testing program in place that fulfills the requirements of §103.503, Wis. Stats., before commencing work on the project.

- Notify subcontractors that if DWD finds that a contractor or subcontractor violated the prevailing wage law, DWD will assess liquidated damages of 100% of the wages owed to employees.
- Apply to DWD for subjourney wage rates prior to employing these individuals on the project.
- Receive and retain a completed Affidavit of Compliance from each subcontractor brought on to the project before providing final payment to those subcontractors.
- Submit a completed Affidavit of Compliance to the contractor who brought the subcontractor on to the project before receiving final payment for the project.
- Maintain payroll records for 3 years that comply with §§66.0903(10)(a) or 103.49(5)(a), Stats. and DWD 274.06.
- Respond to requests from DWD or the project owner to provide payroll records and/or respond to prevailing wage complaints filed by employees or third parties.

For more information, visit the prevailing wage website: [http://dwd.wisconsin.gov/er/prevailing\\_wage\\_rate/default.htm](http://dwd.wisconsin.gov/er/prevailing_wage_rate/default.htm). For further assistance, call the Equal Rights Division at 608-266-6861 and ask for prevailing wage.