

Madison, Wisconsin

CITY OF MADISON

CITY ENGINEERING DIVISION

DEPARTMENT OF PUBLIC WORKS

PLAN OF PROPOSED IMPROVEMENT

BIKEWAYS 2020

INDEX OF SHEETS


SHEET NO.	DESCRIPTION
D1	TYPICAL SECTION
P1-P2	LOCATION MAPS

PUBLIC IMPROVEMENT PROJECT APPROVED

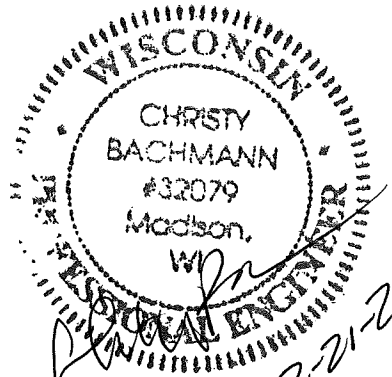
FEBRUARY 4, 2020

BY THE COMMON COUNCIL OF MADISON, WISCONSIN

PUBLIC IMPROVEMENT DESIGN APPROVED BY:

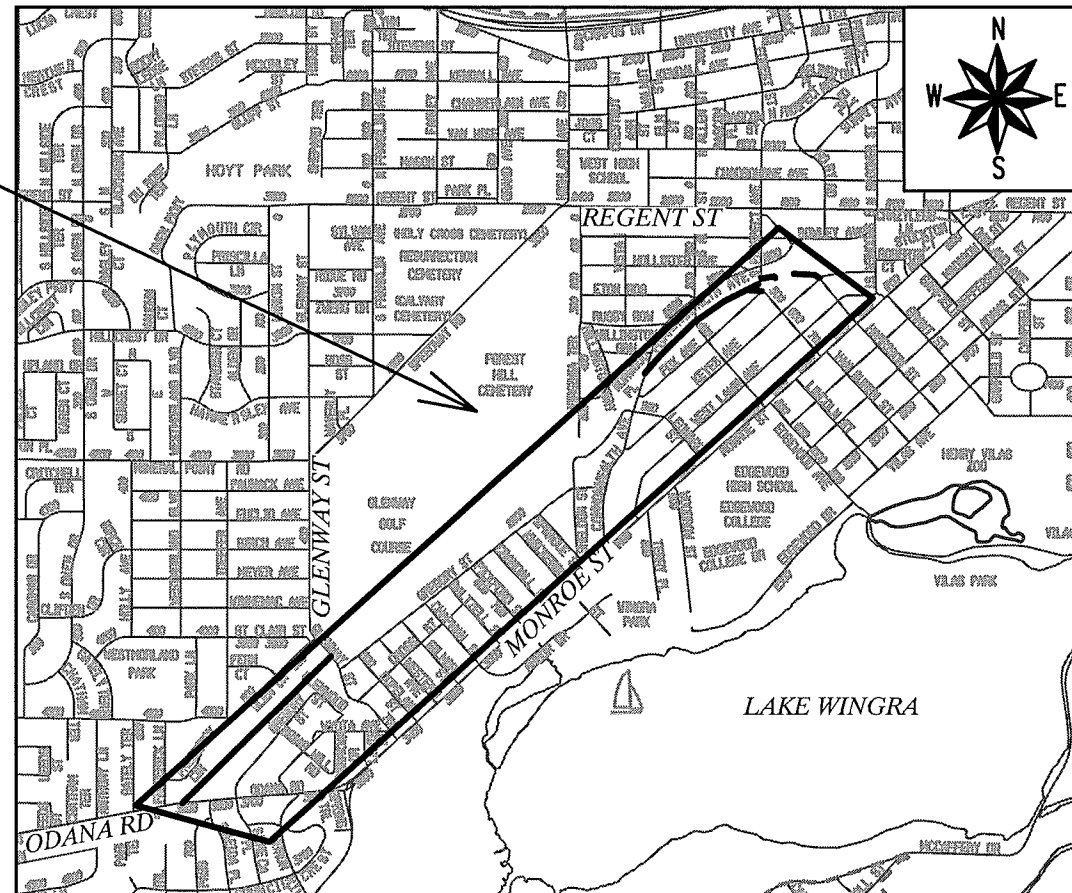
 2/21/20
 City Engineer Date

PATH DESIGNED BY:


 2-21-20

CITY PROJECT NO. 12365
CONTRACT NO. 8499

PROJECT LOCATION

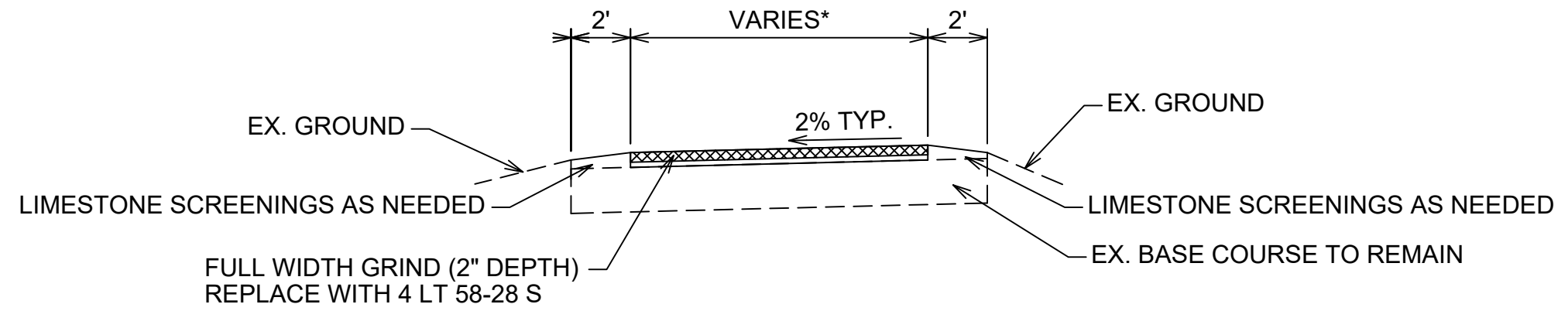


PLOT SCALE: 1 IN=1 FT_XREF

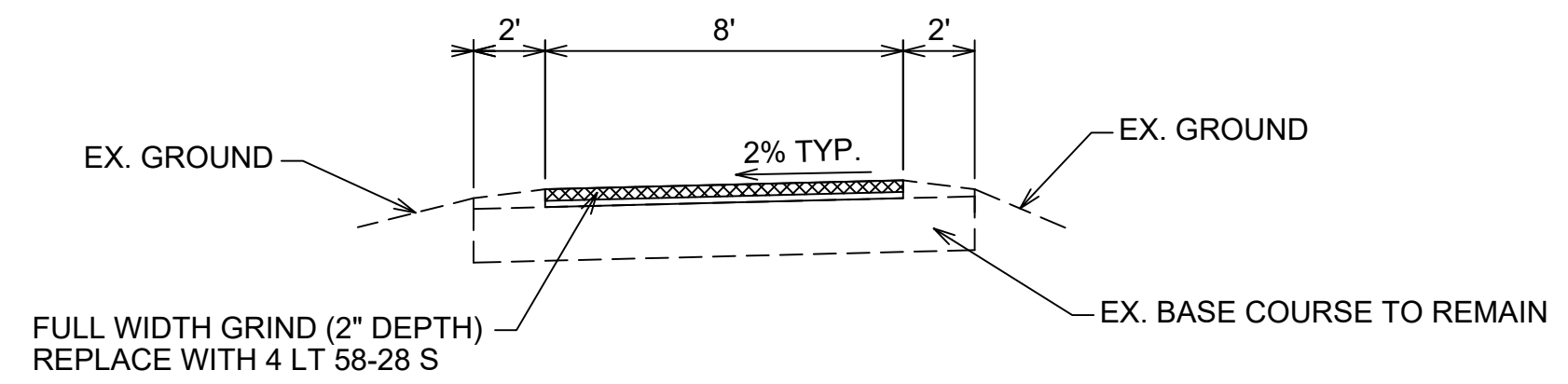
PLOT NAME: ---

REV. DATE: 2/20/2020 4:20 PM

ORIGINATOR: CITY_OF_MADISON



SOUTHWEST PATH TYPICAL SECTION
*10' WIDE - ODANA RD TO GLENWAY ST
*12' WIDE - COMMONWEALTH AVE TO S PROSPECT AVE



CONNECTOR PATH TYPICAL SECTION

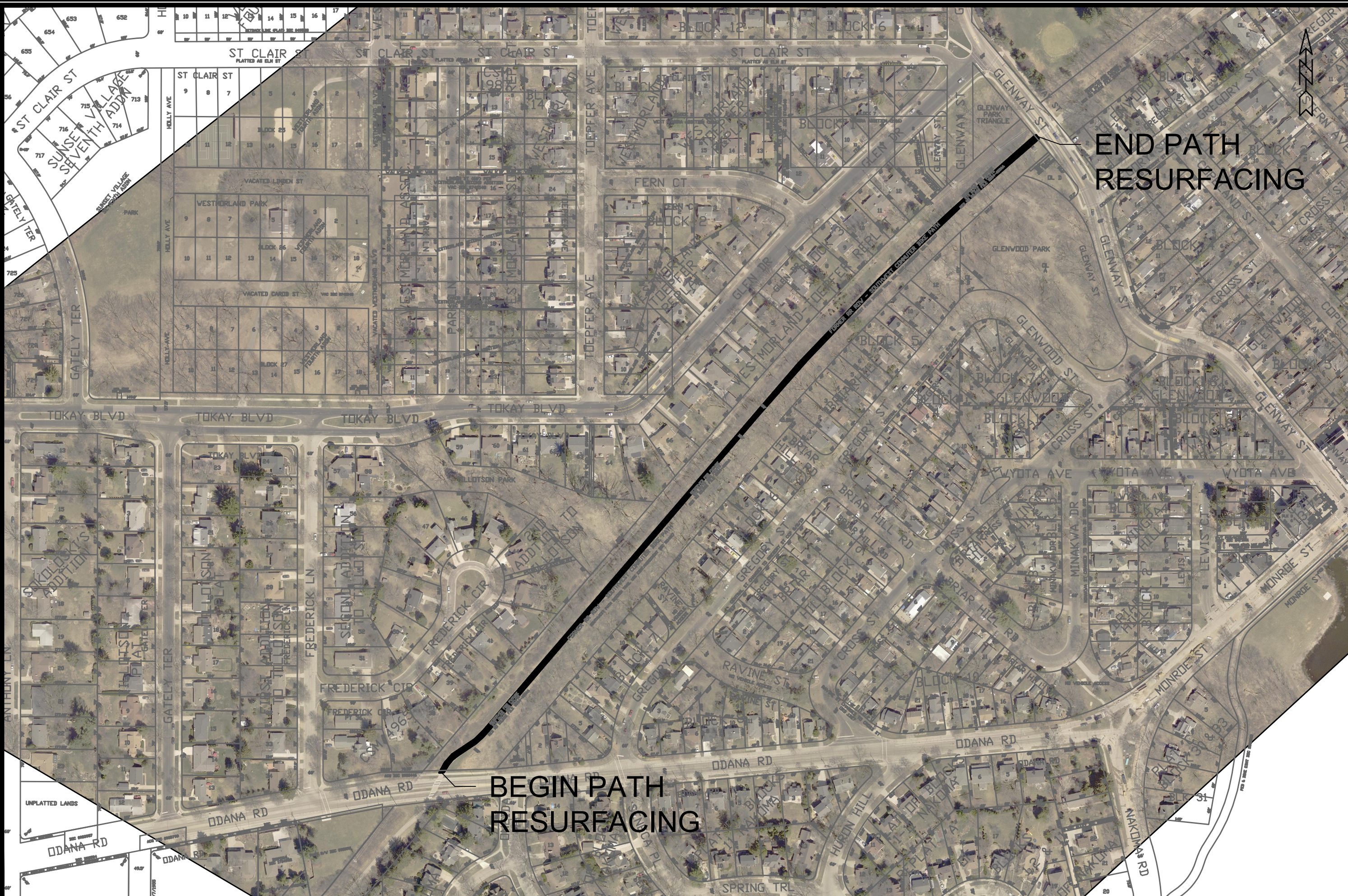
MARK	REVISION	DATE	BY
12365	Designed By: ###	Date: 2/24/2020 8:49 AM	Scale: #####

12365
MADISON, WI
8499
CONTRACT NO:

TYPICAL SECTION
BIKEWAYS 2020
M:\DESIGN\Projects\12365\CAD\Streets\12365 Locations Maps.dwg



12365
D-1



**END PATH
RESURFACING**

**BEGIN PATH
RESURFACING**



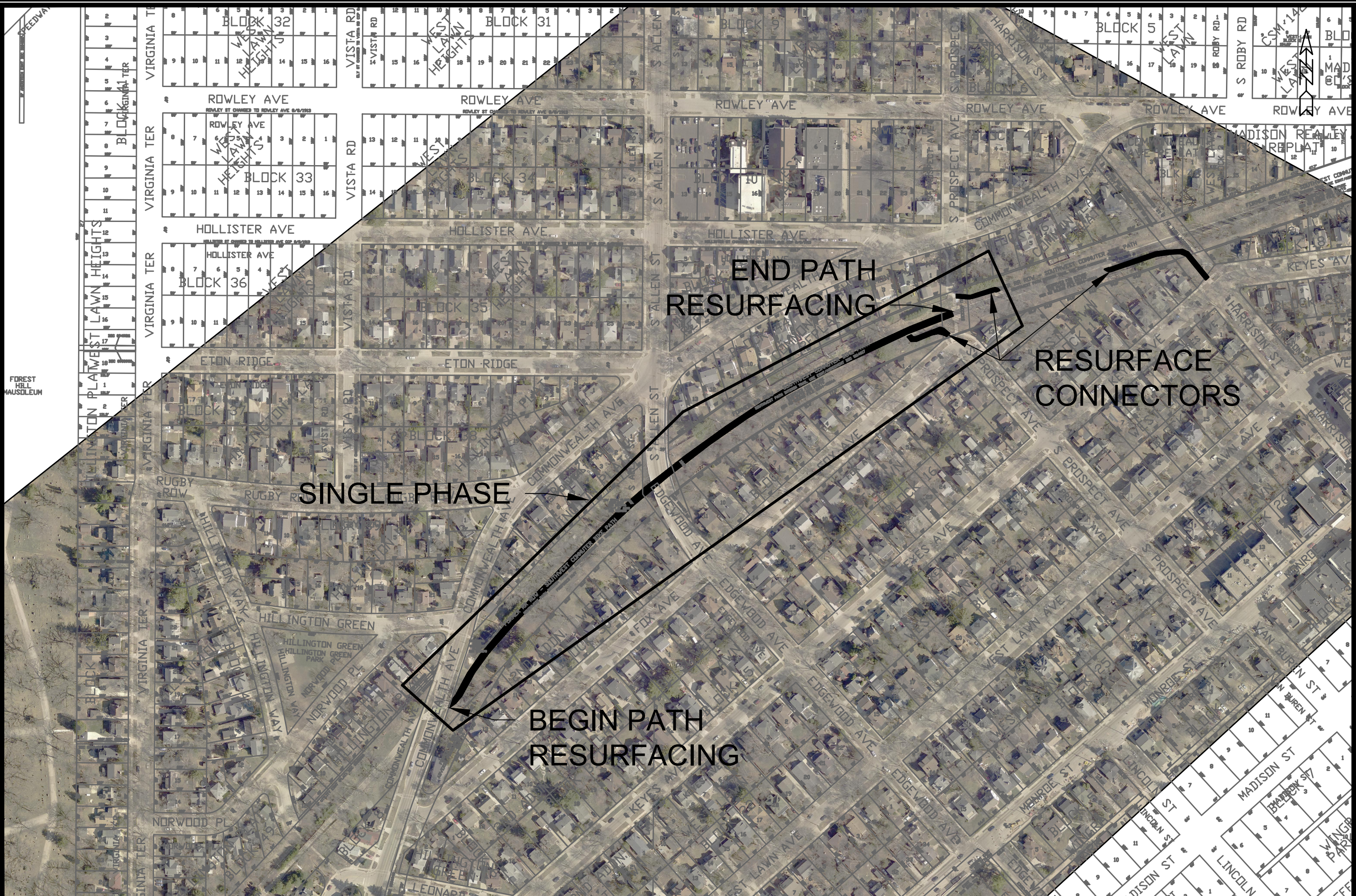
MARK	REVISION	DATE	BY
12365	Designed By: ###	Date: 2/24/2020 9:48 AM	Scale: #####
			P-1

12365
MADISON, WI
CONTRACT NO.: 8499

LOCATION MAPS
BIKEWAYS 2020
M:\DESIGN\Projects\12365\CAD\Streets\12365\Locations\Maps.dwg



12365
P-1



MARK	REVISION	DATE	BY

12365
MADISON, WI
CONTRACT NO.: 8499

LOCATION MAPS
BIKEWAYS 2020
M:\DESIGN\Projects\12365\CAD\Streets\12365 Locations Maps.dwg

