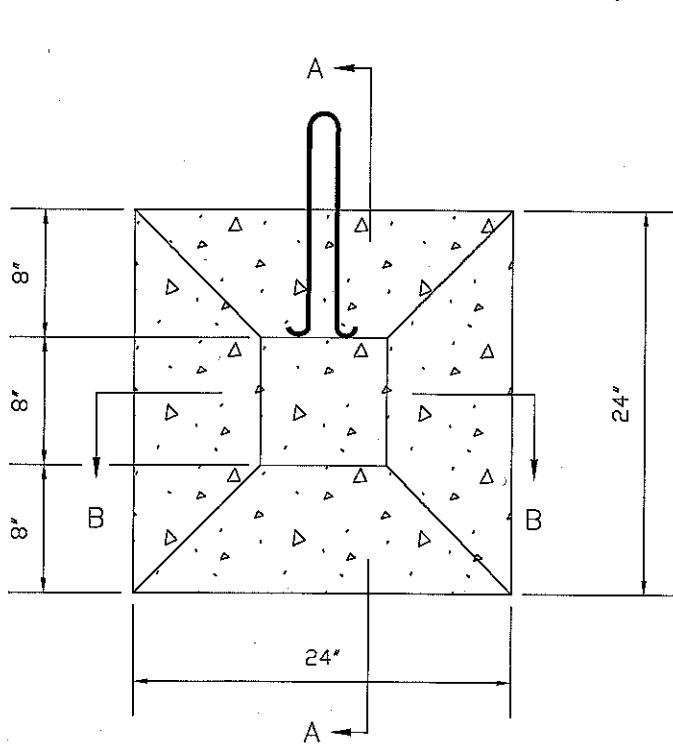
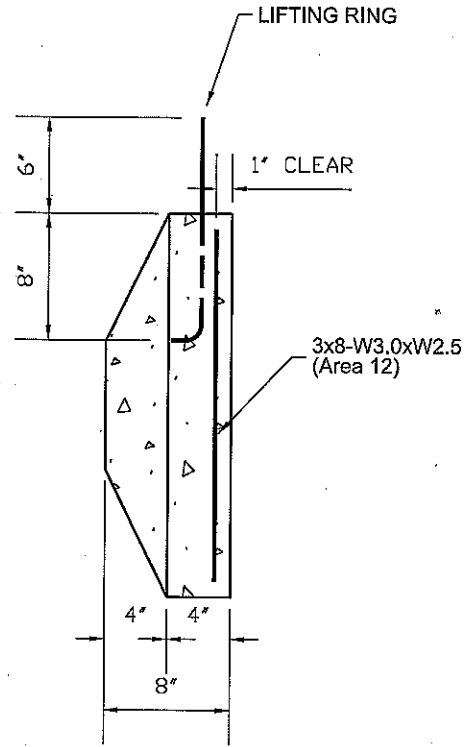


SECTION B - B

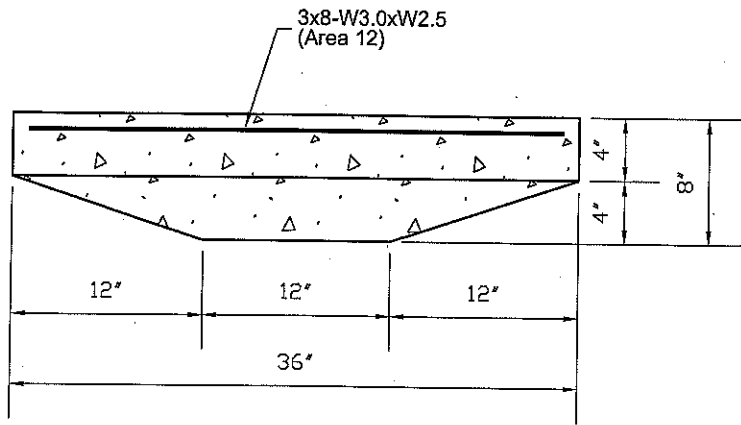


ELEVATION

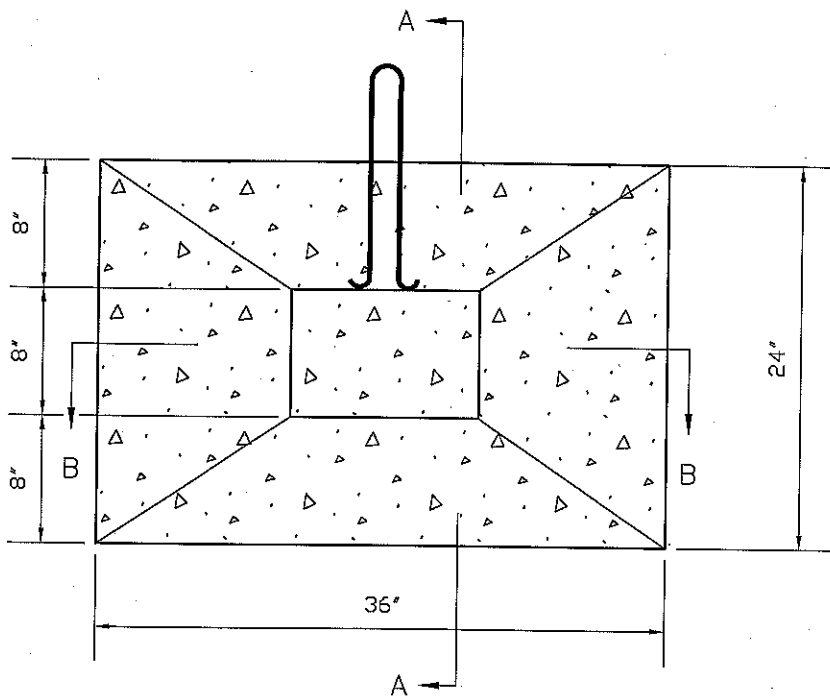


SECTION A-A

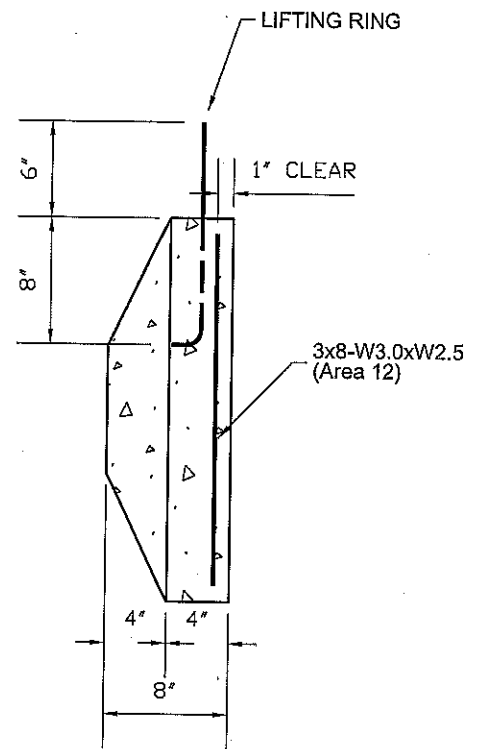
MADISON WATER UTILITY PRE-CAST THRUST BLOCK DETAIL



SECTION B - B



ELEVATION



SECTION A - A

MADISON WATER UTILITY PRE-CAST THRUST BLOCK DETAIL