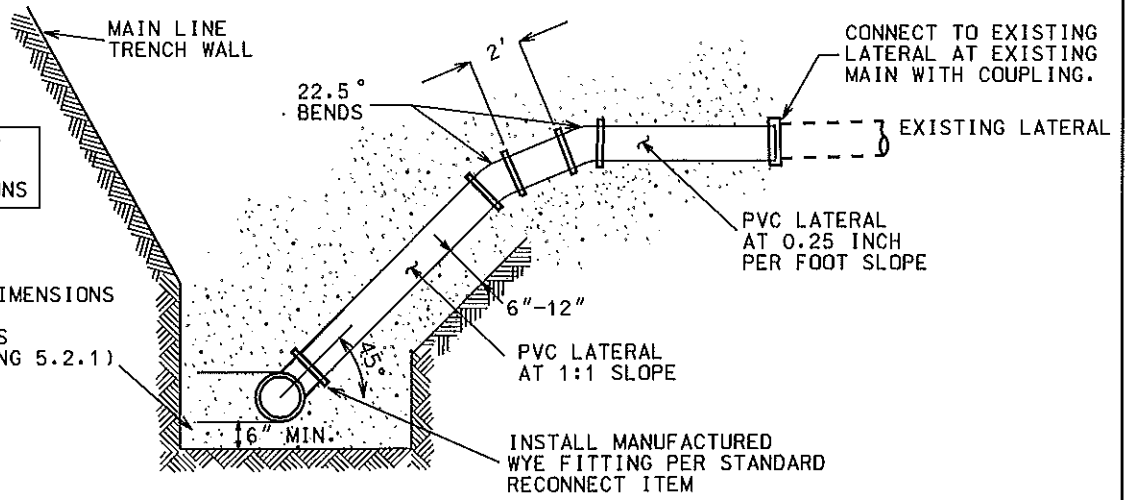


**RISER DETAIL**

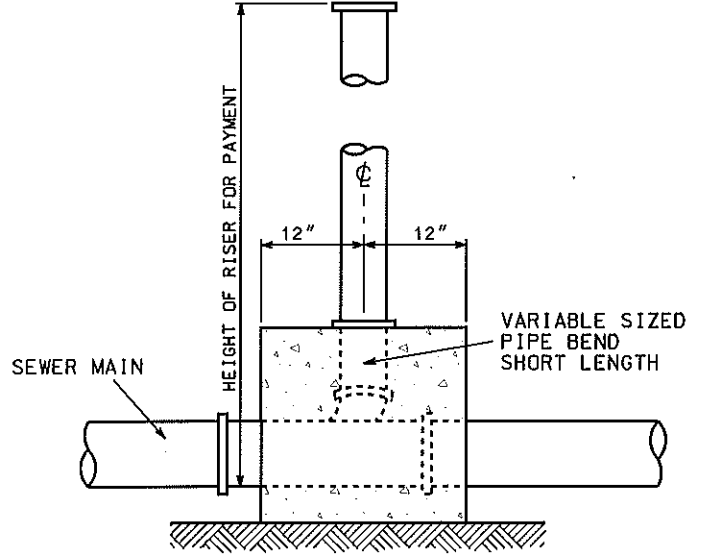
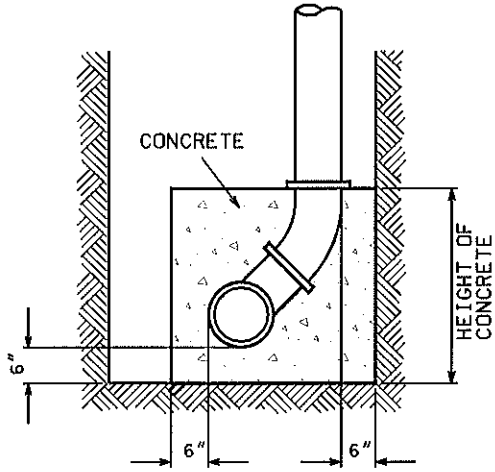
LATERAL AND RECONNECT SHALL CONFORM TO STANDARD SPECIFICATIONS

BEDDING MATERIAL AND DIMENSIONS PER CITY OF MADISON STANDARD SPECIFICATIONS (STANDARD DETAIL DRAWING 5.2.1)

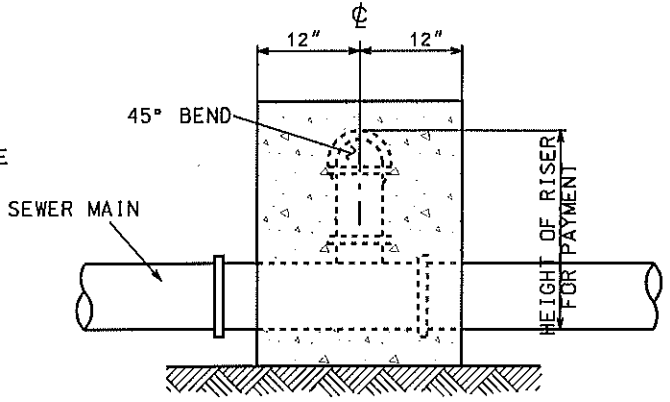
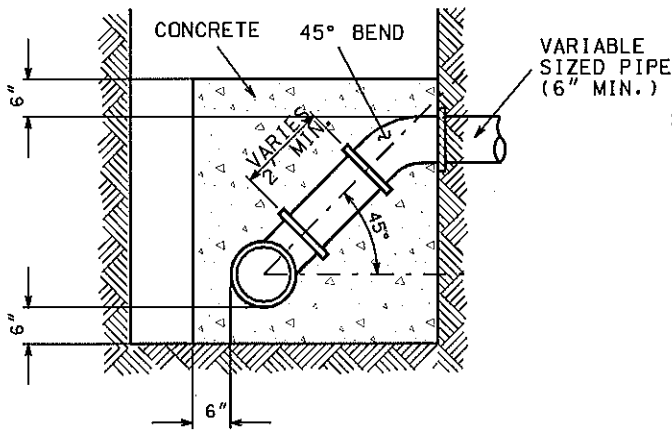


**ALTERNATE METHOD A**

VARIABLE SIZED PIPE (6" MIN.)



**ALTERNATE METHOD B**



2006

CITY OF MADISON ENGINEERING DIVISION
<b>RISER DETAIL</b>
STANDARD DETAIL DRAWING 5.3.1