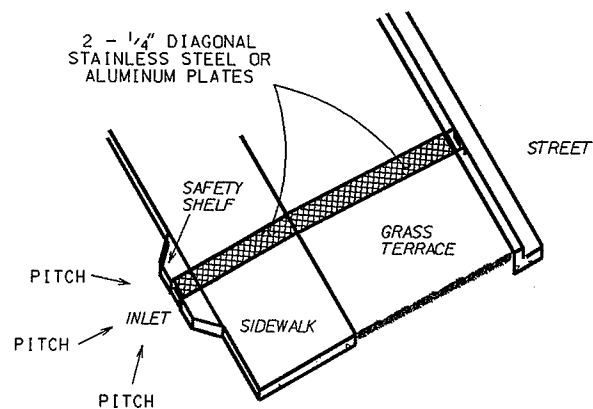
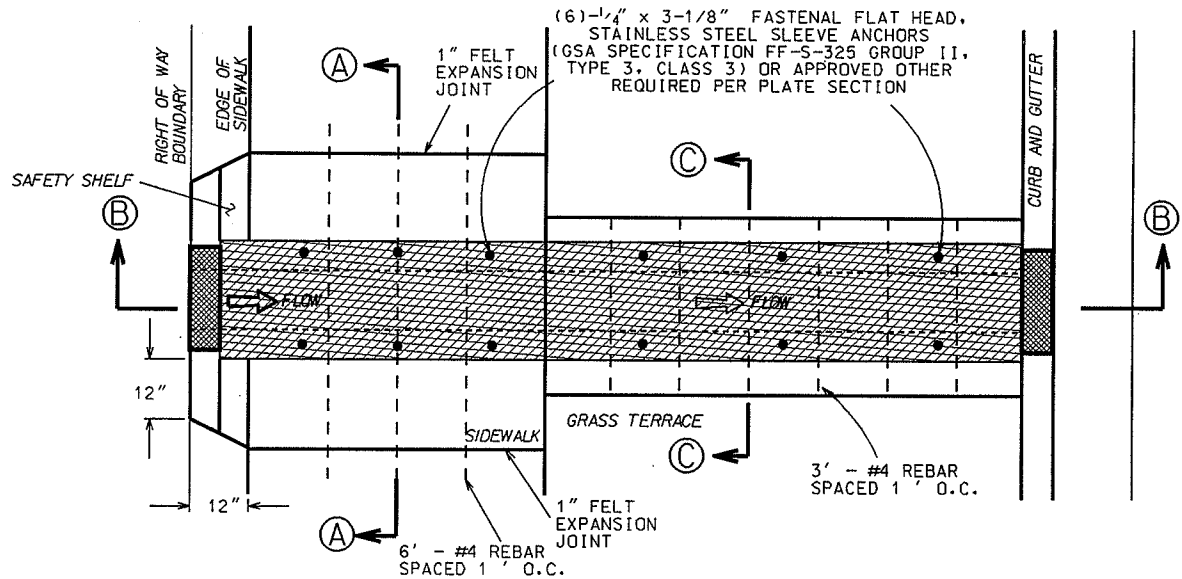


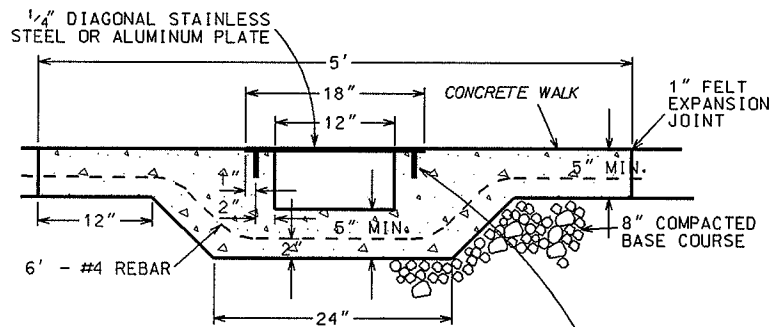
5.4.9



ISOMETRIC VIEW

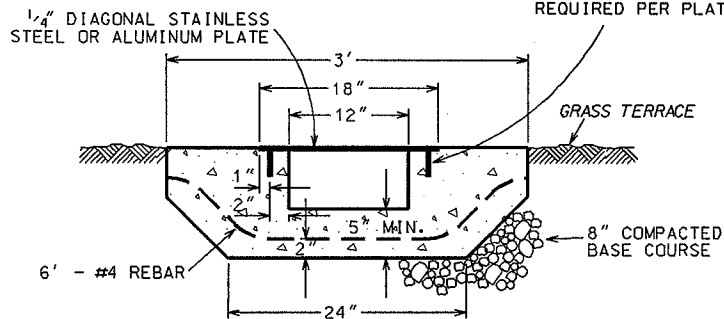


PLAN VIEW

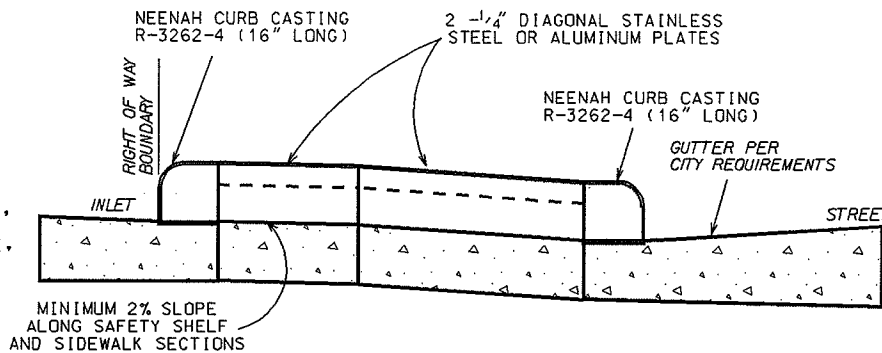


SECTION A-A

(6) - 1/4" x 3-1/8" FASTENAL FLAT HEAD, STAINLESS STEEL SLEEVE ANCHORS (GSA SPECIFICATION FF-S-325 GROUP II, TYPE 3, CLASS 3) OR APPROVED OTHER REQUIRED PER PLATE SECTION



SECTION C-C



SECTION B-B

NOTES:

- 1) WHEN THE SIDEWALK IS ABUTTING A GRASSED PROPERTY, THE CONCRETE FLAG AND NEENAH CASTING ON THE PROPERTY SIDE SHALL BE OMITTED. ONLY ONE NEENAH CURB CASTING IS REQUIRED FOR THE STREET OUTLET.
- 2) WHEN THE SIDEWALK IS ABUTTING A PAVED PROPERTY, THE CONCRETE FLAG SHALL EXTEND 1' BEYOND THE RIGHT OF WAY BOUNDARY.

2004

CITY OF MADISON ENGINEERING DIVISION
SIDEWALK FLUME
STANDARD DETAIL DRAWING 5.4.9