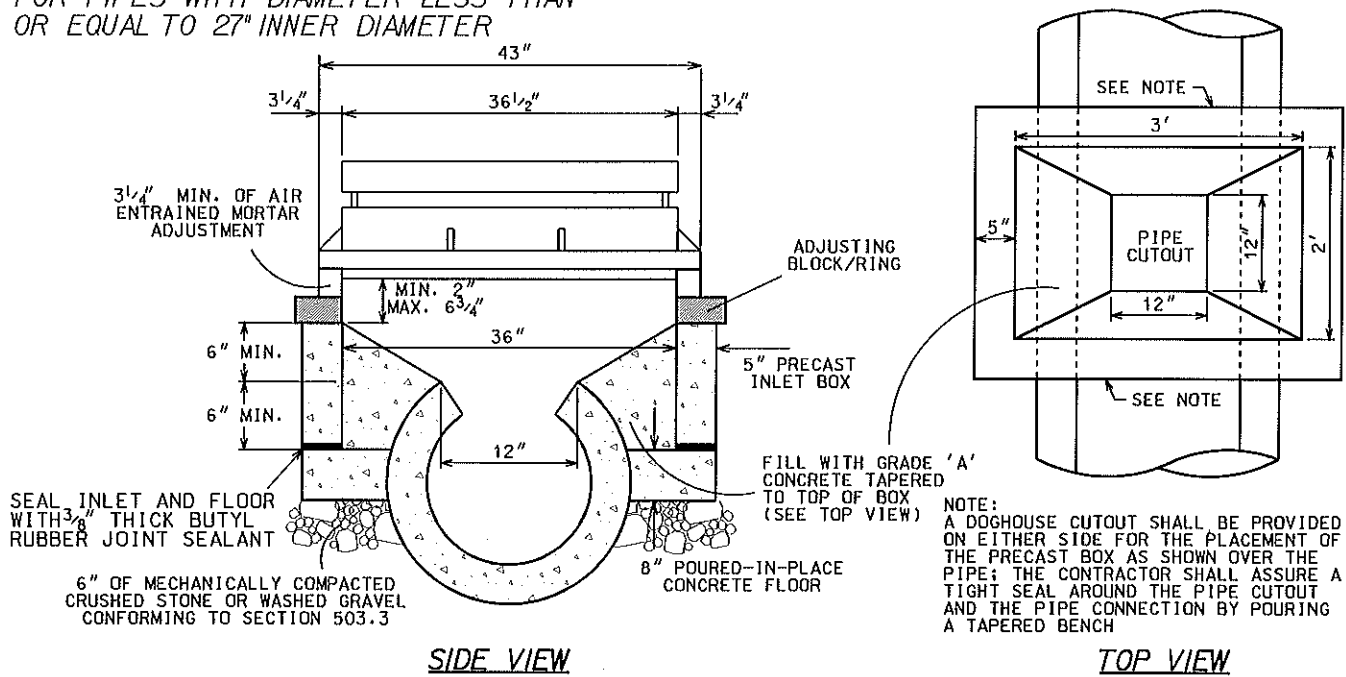


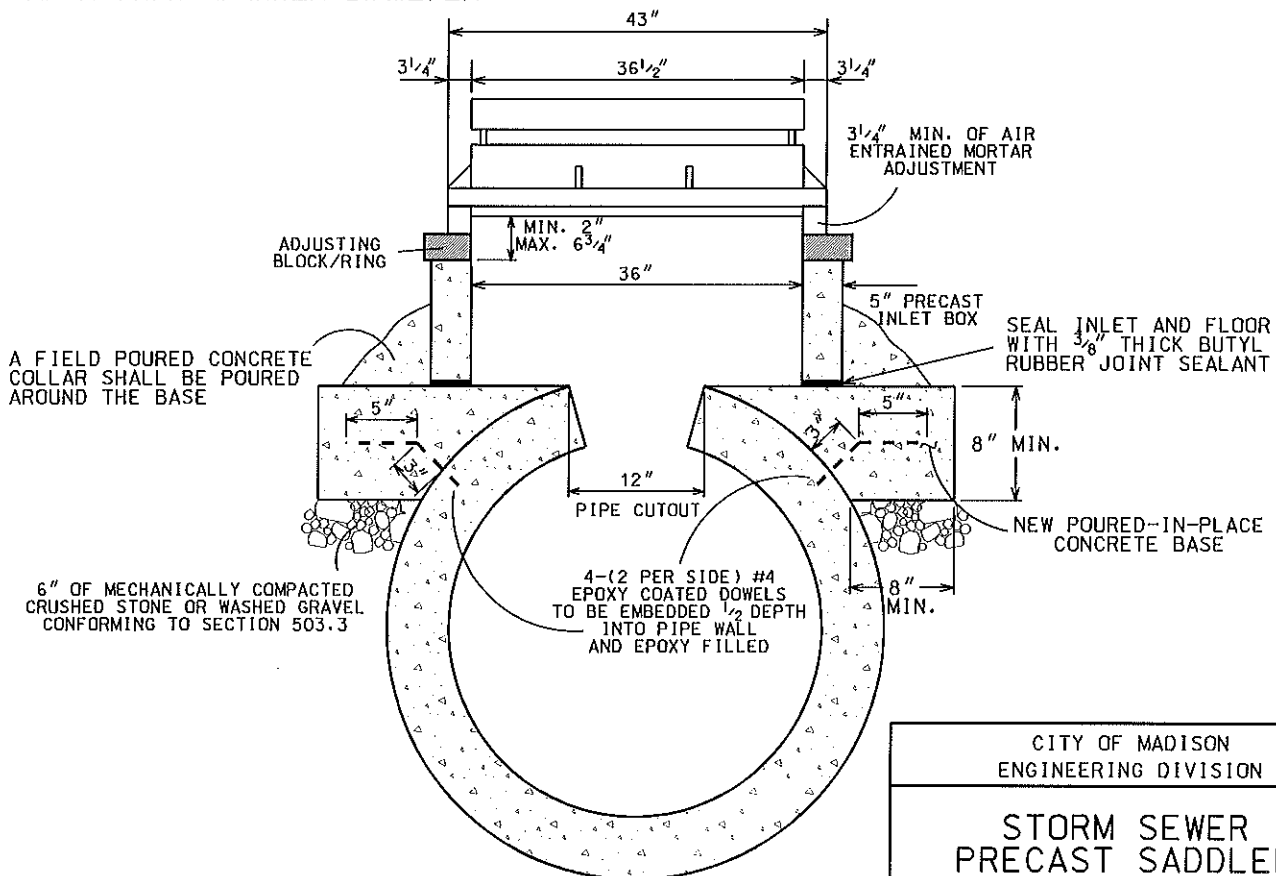
### TYPE A

FOR PIPES WITH DIAMETER LESS THAN OR EQUAL TO 27" INNER DIAMETER



### TYPE B

FOR PIPES WITH DIAMETER GREATER THAN 27" INNER DIAMETER



2006

CITY OF MADISON  
ENGINEERING DIVISION

STORM SEWER  
PRECAST SADDLED  
INLET

STANDARD DETAIL DRAWING 5.7.10

DRAWING NOT TO SCALE