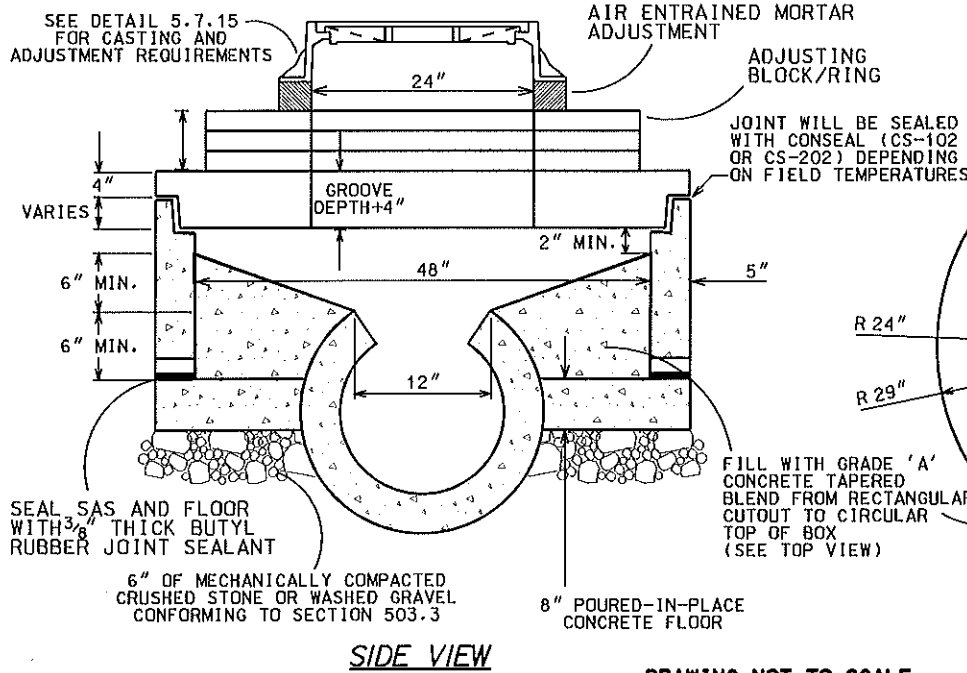
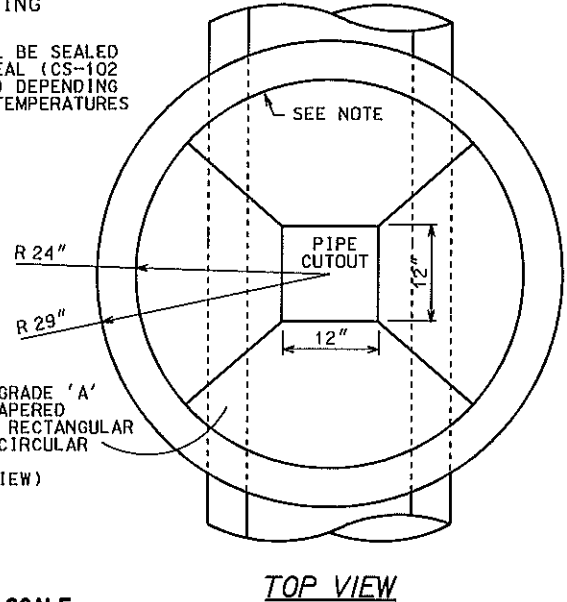


TYPE A

FOR PIPES WITH DIAMETER LESS THAN OR EQUAL TO 2" INNER DIAMETER



NOTE:
A DOGHOUSE CUTOUT SHALL BE PROVIDED ON EITHER SIDE FOR THE PLACEMENT OF THE PRECAST BOX AS SHOWN OVER THE PIPE; THE CONTRACTOR SHALL ASSURE A TIGHT SEAL AROUND THE PIPE CUTOUT AND THE PIPE CONNECTION BY POURING A TAPERED BENCH



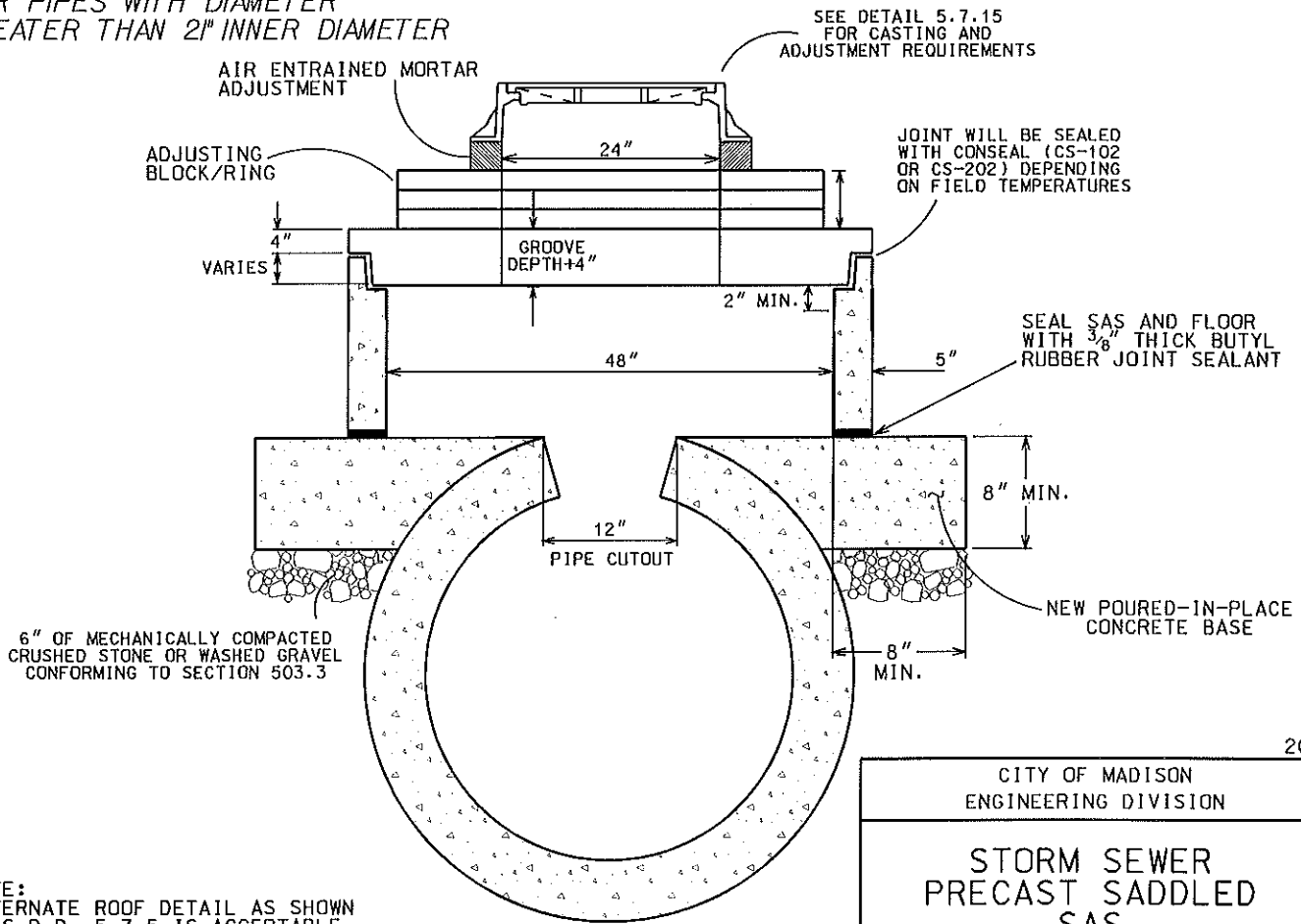
SIDE VIEW

TOP VIEW

DRAWING NOT TO SCALE

TYPE B

FOR PIPES WITH DIAMETER GREATER THAN 2" INNER DIAMETER



NOTE:
ALTERNATE ROOF DETAIL AS SHOWN ON S.D.D. 5.7.5 IS ACCEPTABLE FOR BOTH TYPES A & B.

2007

CITY OF MADISON ENGINEERING DIVISION
STORM SEWER PRECAST SADDLED SAS
STANDARD DETAIL DRAWING 5.7.10A

DRAWING NOT TO SCALE