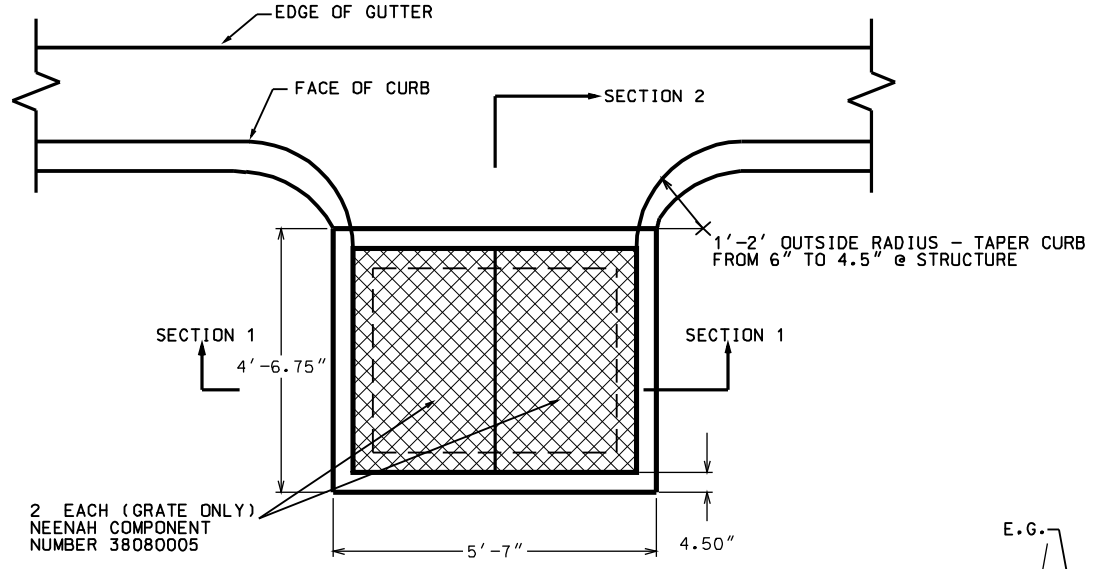
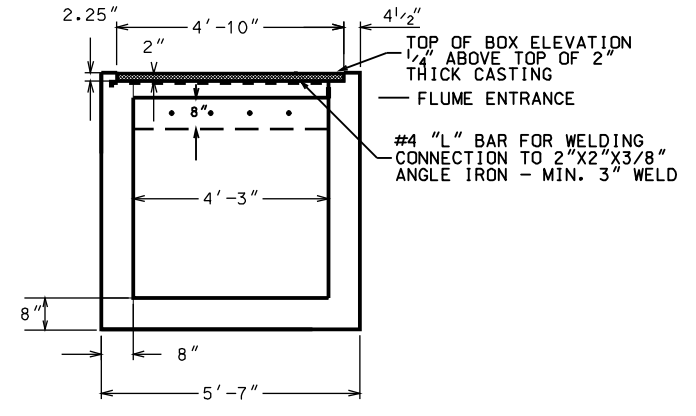


5.7.12

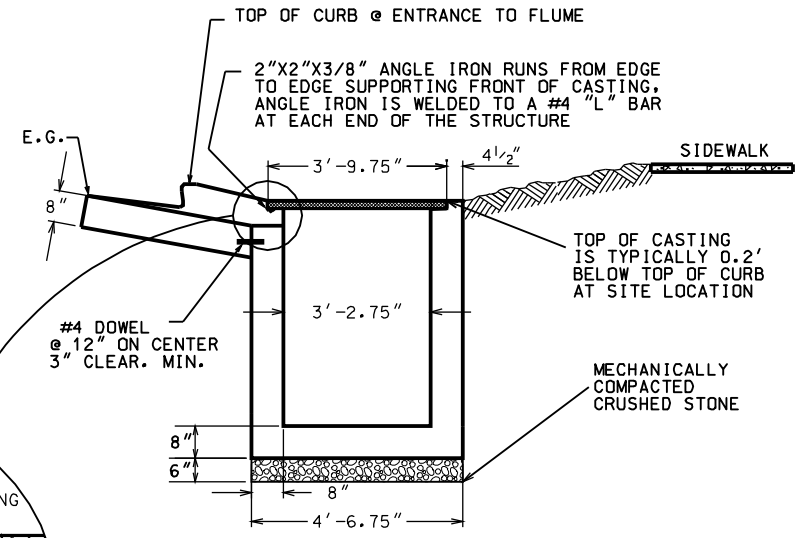
ROAD



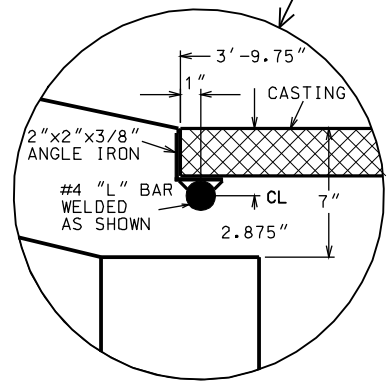
STRUCTURE
PLAN VIEW



SECTION 1



SECTION 2



2005

CITY OF MADISON ENGINEERING DIVISION
TERRACE INLET TYPE 2
STANDARD DETAIL DRAWING 5.7.12 A