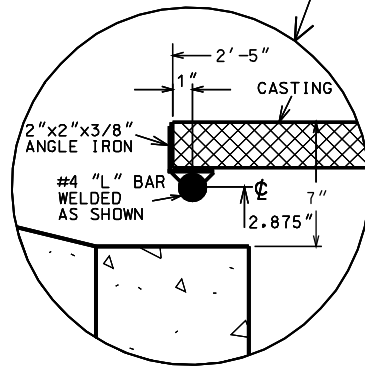
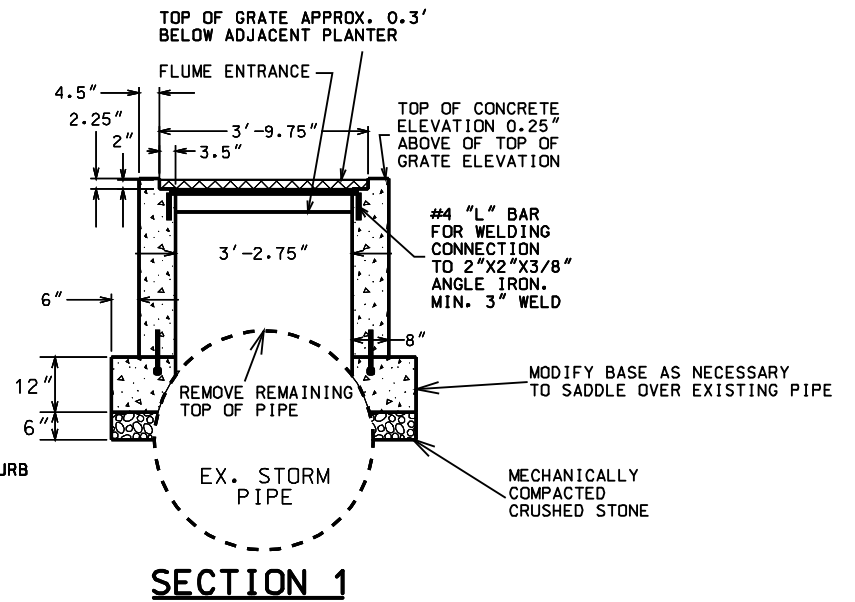


1 EACH (GRATE ONLY)  
NEENAH COMPONENT  
NUMBER 38080005

**PLAN VIEW**

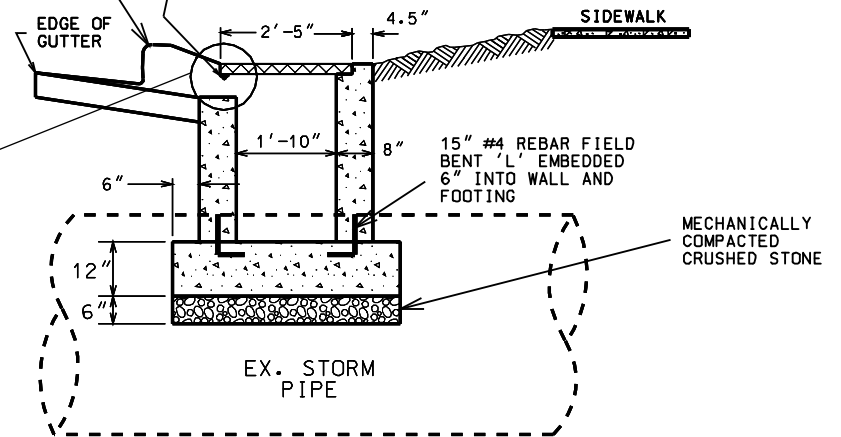


**INSET**



2"x2"x3/8" ANGLE IRON RUNS FROM EDGE TO EDGE SUPPORTING FRONT OF CASTING, ANGLE IRON IS WELDED TO A #4 "L" BAR AT EACH END OF THE STRUCTURE

TOP OF CURB AT ENTRANCE TO FLUME (APPROX. 0.2' ABOVE TOP OF GRATE)



2005

CITY OF MADISON  
ENGINEERING DIVISION

TERRACE INLET  
TYPE 4

STANDARD DETAIL DRAWING 5.7.12 C

5.7.12