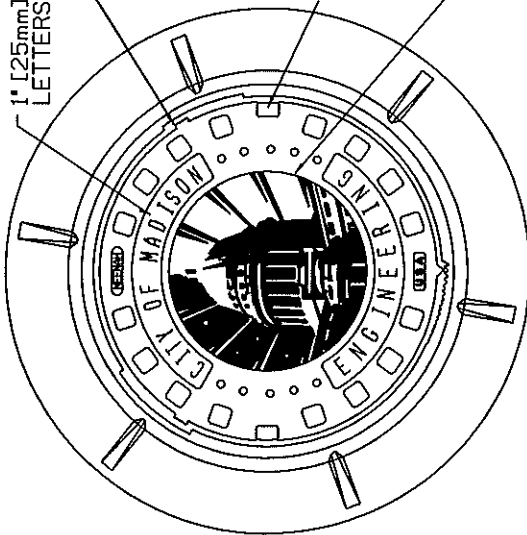


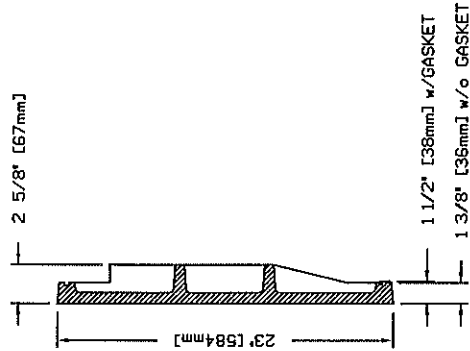
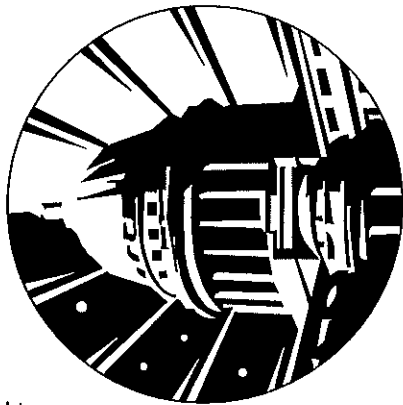
1" [25mm] HIGH LETTERS  
NON-ROCKING FEATURE-  
3 PLACES, 120° APART



(2) CONCEALED  
TYPE PICKHOLES  
PER NF-22642

CITY OF MADISON ENGINEERING LOGO,  
SHADED AREA REPRESENTS RECESSED AREA

LOGO DETAIL



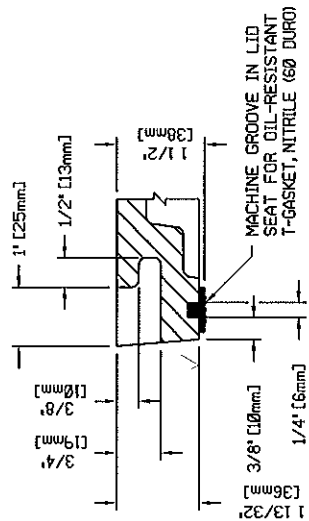
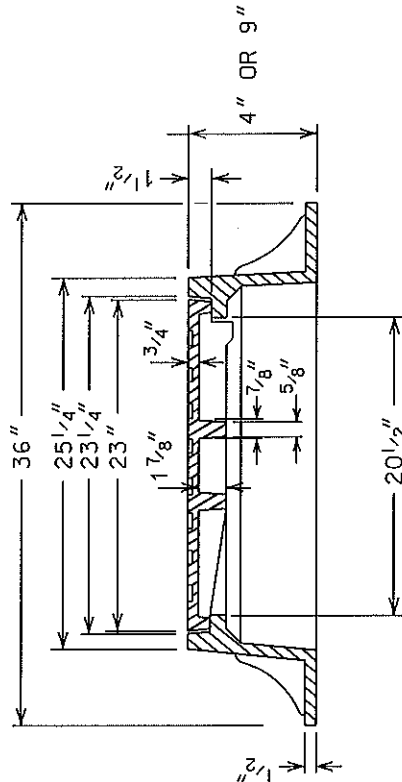
NOTES:

APPROXIMATE TOTAL WEIGHTS:  
R-1550 w/ LOGO LID 1550-0054, 9" FRAME AND LID = 265 LBS.  
R-1689 w/ LOGO LID 1550-0054, 4" FRAME AND LID = 279 LBS.

IF LOCKABLE LID IS NECESSARY, R-1920, 83/4" FRAME AND LID = 300 LBS  
THERE IS NO CITY OF MADISON LOGO LID AVAILABLE FOR THIS  
FRAME AND CASTING.

THE FOLLOWING NEENAH FOUNDRY CASTINGS (OR EQUAL CASTINGS)  
SHALL BE ACCEPTABLE:

1. R-1550, 9" NON-ROCKING ACCESS STRUCTURE FRAME.
2. R-1689, 4" NON-ROCKING ACCESS STRUCTURE FRAME  
(WHEN REQUESTED BY THE CITY CONSTRUCTION ENGINEER).
3. R-1920, 83/4" ACCESS STRUCTURE FRAME WITH LOCKING LID,  
TYPE 'F', LOCKS, AND CONCEALED PICK HOLES. TO BE USED IN  
GREENWAYS AND EASEMENTS.



T-SEAL GASKET / CONCEALED PICK DETAIL

1. FRAME AND COVER SHALL BE MACHINED AND  
FITTED SO THAT ROCKING AND CHATTERING  
WILL BE ELIMINATED.
2. ALL LIDS SHALL BE SELF-SEALING EXCEPT  
FOR STORM SEWER.
3. ALL LIDS SHALL HAVE CITY OF MADISON LOGO  
AS SHOWN IN DETAIL (R-1550-0054 OR EQUIV.)

LID NOTES: ALL DIMENSIONS SHOWN ARE IN ENGLISH AND [METRIC]  
MATERIAL: CAST GRAY IRON ASTM A-48, CLASS 35B

2006

CITY OF MADISON ENGINEERING DIVISION
<b>SAS FRAME &amp; COVER</b>
STANDARD DETAIL DRAWING 5.7.16