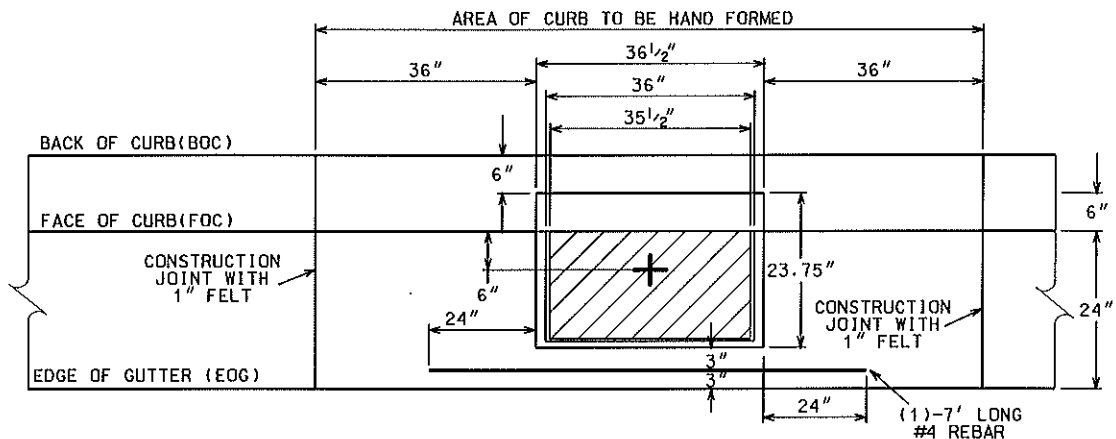
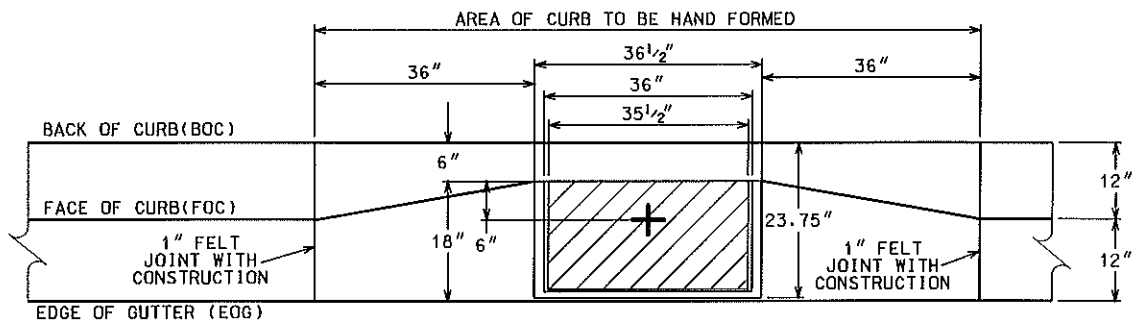


**TYPE "A" CURB AND GUTTER**  
PLAN VIEW

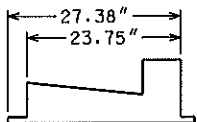


**TYPE "B" CURB AND GUTTER**  
PLAN VIEW



**TYPE "H" CURB AND GUTTER**  
PLAN VIEW

NOTE:  
CASTING FLANGE (NOT SHOWN) PROTRUDES  
APPROXIMATELY 3.63" INTO THE PAVEMENT.  
SEE SDD 5.7.18 FOR INLET FRAME DETAILS.



**INLET CASTING**  
SIDE VIEW

**+** = CENTER OF STRUCTURE  
(STATION AND OFFSET  
AS INDICATED ON THE  
STORM SCHEDULE)

DRAWING NOT TO SCALE

|                                                          |
|----------------------------------------------------------|
| 2006                                                     |
| CITY OF MADISON<br>ENGINEERING DIVISION                  |
| <b>H INLET LOCATIONS<br/>IN DIFFERENT<br/>CURB TYPES</b> |
| STANDARD DETAIL DRAWING 5.7.27                           |