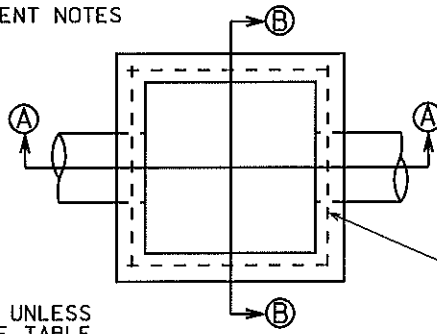
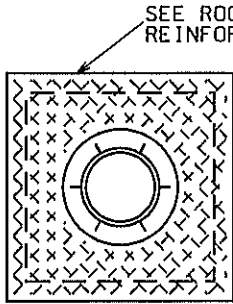


SEWER ACCESS STRUCTURES

ROOF REINFORCEMENT NOTES:

- 1) EPOXY COATED REBARS SHALL BE USED IN ALL CASES
- 2) #4 BARS PLACED ON 6" CENTERS FOR 3'X3', 3'X4', 4'X4', 4'X5', 5'X5' STRUCTURES
- 3) #6 BARS PLACED ON CENTERS FOR 6'X5', 6'X6', AND LARGER STRUCTURES
- 4) 3" CLEAR SHALL BE MAINTAINED IN ALL CASES
- 5) ROOF THICKNESS SHALL BE 8" MINIMUM UNLESS SPECIFIED OTHERWISE.



NOTE: CASTING TO BE CENTERED UNLESS NOTED IN STORM STRUCTURE TABLE

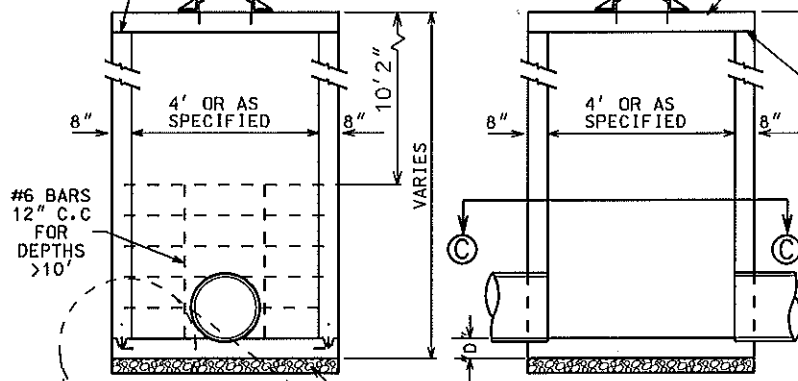
TOP VIEW

SECTION C-C

CONSTRUCTION JOINT

CASTING PER STORM CHART AND SECTION 507.3 (c)

ROOF TO BE POURED SEPERATELY FROM WALLS

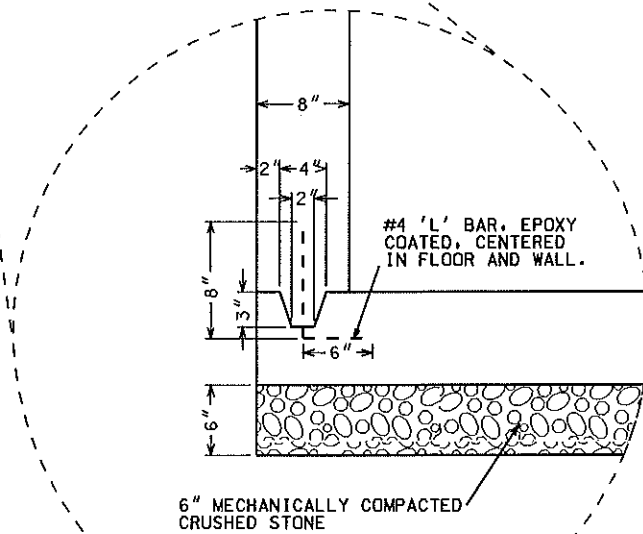


JOINT TO BE SEALED WITH CONSEAL (CS-102 OR CS-202) DEPENDING ON FIELD TEMPERATURES

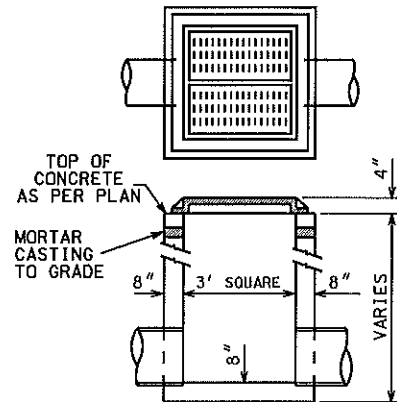
SECTION A-A

NOTE: THICKNESS OF FLOOR (DIMENSION "D") TO BE 8" UP TO 10' DEPTHS AND 10" FOR GREATER DEPTHS

SECTION B-B



3'X3' CATCH BASIN



PRECAST REINFORCED CONCRETE STRUCTURES MAY BE USED IF APPROVED ACCORDING TO ARTICLES 106.3 AND 507.3 (b) OF THE STANDARD SPECIFICATIONS

NEENAH FOUNDRY CASTINGS AS LISTED OR EQUAL. ALL CASTING WITH FLANGE AT BASE.

- LIGHT DUTY
- R-1879-A10G FOR OPEN GRATE
 - R-1879-A10L FOR SOLID LID
- HEAVY DUTY
- R-1878-A10G FOR OPEN GRATE
 - R-1878-A10L FOR SOLID LID

2006

CITY OF MADISON
ENGINEERING DIVISION

STORM SEWER
FIELD POURED SAS
AND CATCH BASINS

STANDARD DETAIL DRAWING 5.7.3