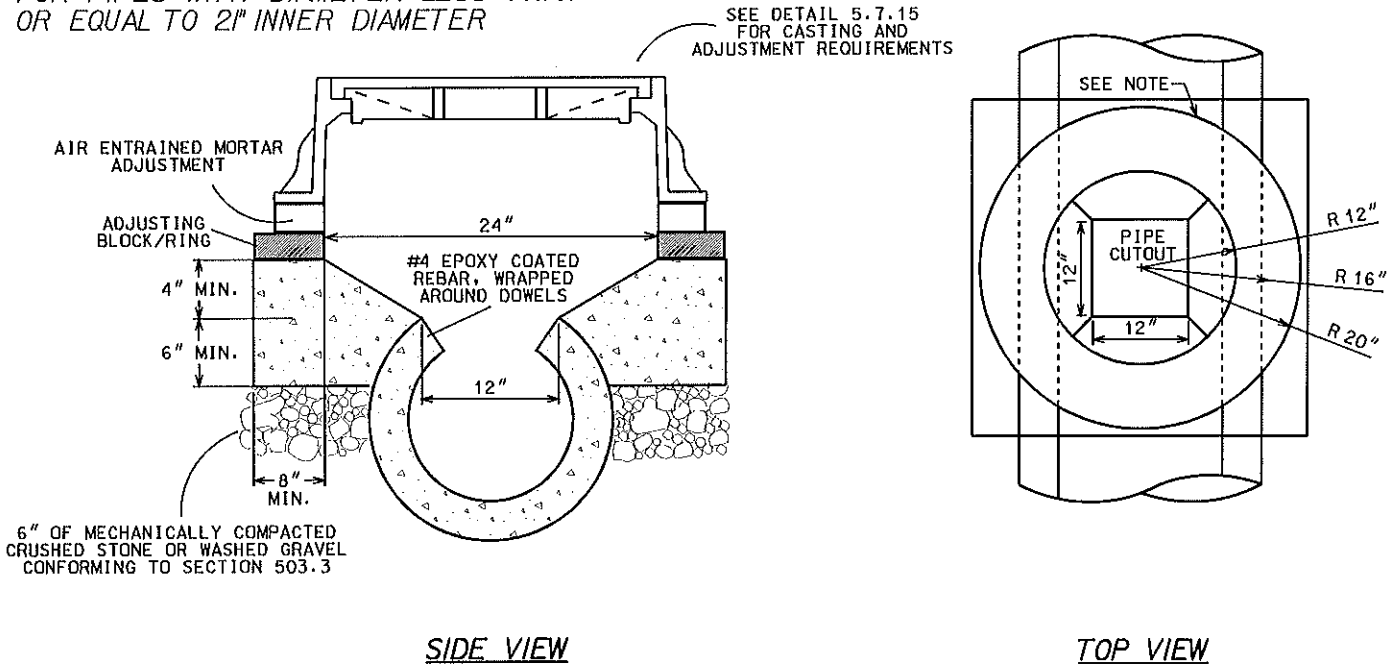


TYPE A

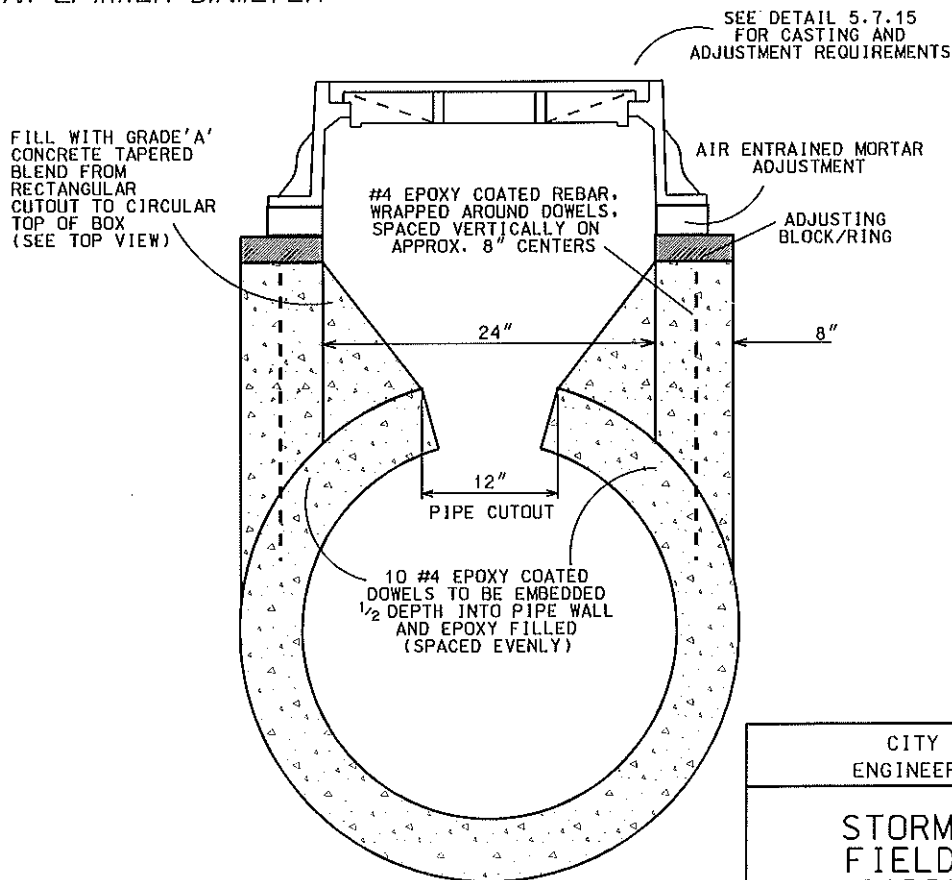
FOR PIPES WITH DIAMETER LESS THAN OR EQUAL TO 24" INNER DIAMETER



DRAWING NOT TO SCALE

TYPE B

FOR PIPES WITH DIAMETER GREATER THAN 24" INNER DIAMETER



DRAWING NOT TO SCALE

2007
CITY OF MADISON ENGINEERING DIVISION
STORM SEWER FIELD POURED SADDLED SAS
STANDARD DETAIL DRAWING 5.7.9A