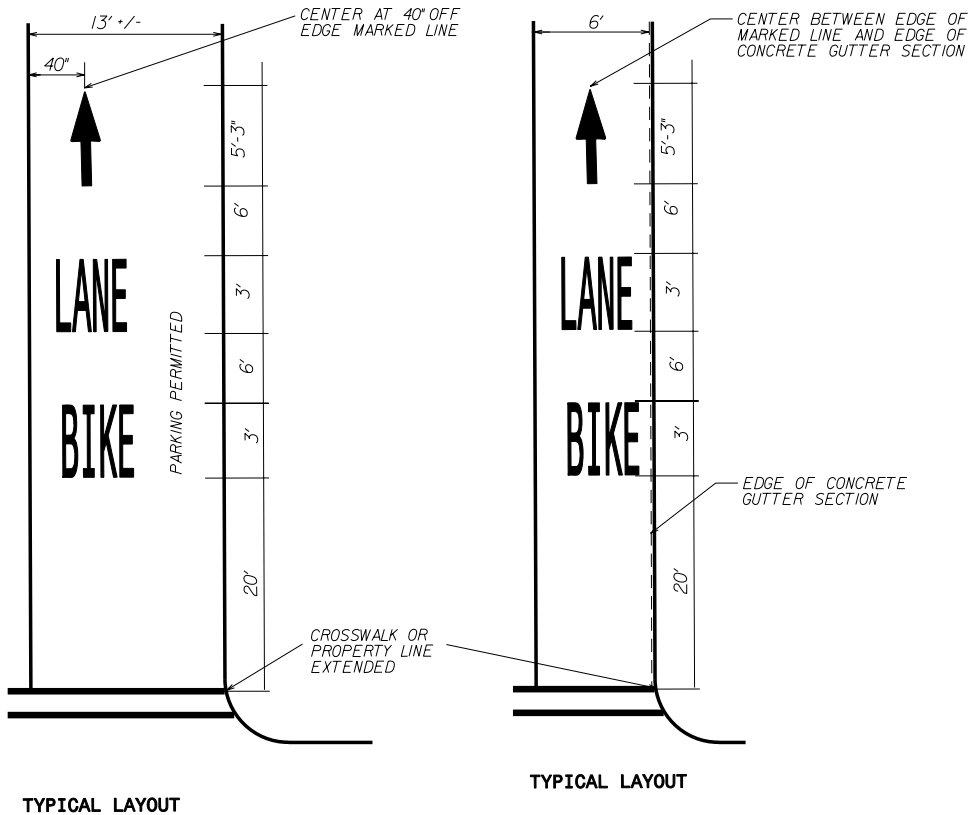
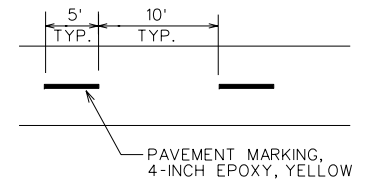
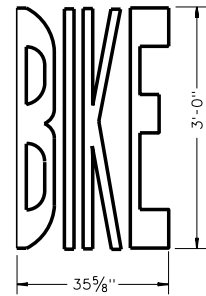
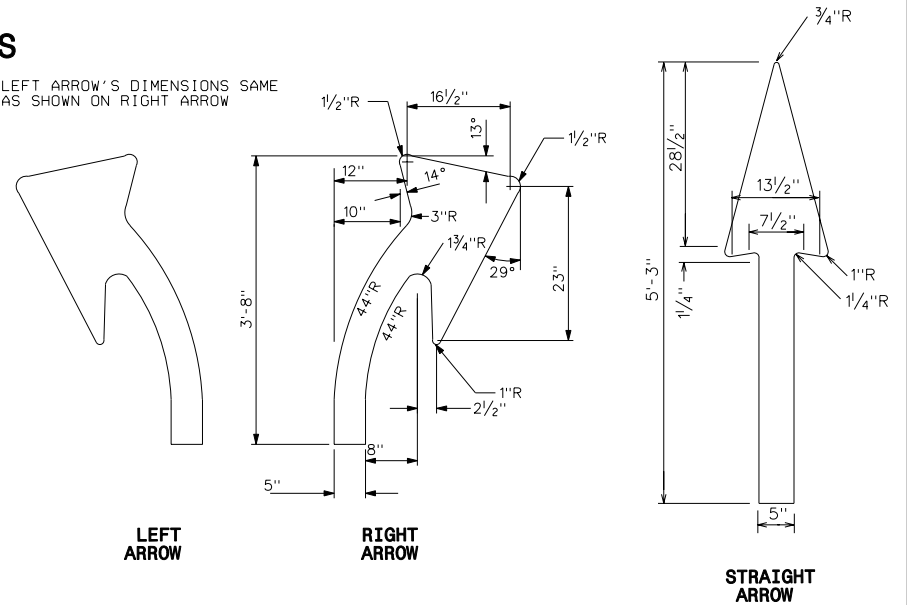


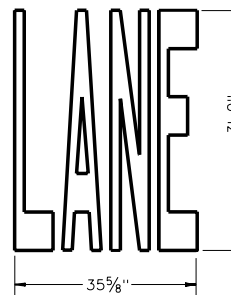
BIKE LANE MARKING DETAILS



LEFT ARROW'S DIMENSIONS SAME AS SHOWN ON RIGHT ARROW



TYPICAL BIKE PATH PAVEMENT MARKINGS



FULL SIZE PATTERNS FOR ARROWS & WORD LEGENDS ARE AVAILABLE AT:
CITY OF MADISON TRAFFIC ENGINEERING
FIELD OPERATIONS FACILITY
1120 SAYLE ST. (608)266-4767

FEB 2005

CITY OF MADISON
ENGINEERING DIVISION

**PAVEMENT MARKING
DETAILS
PAGE 4**

STANDARD DETAIL DRAWING # 6.40