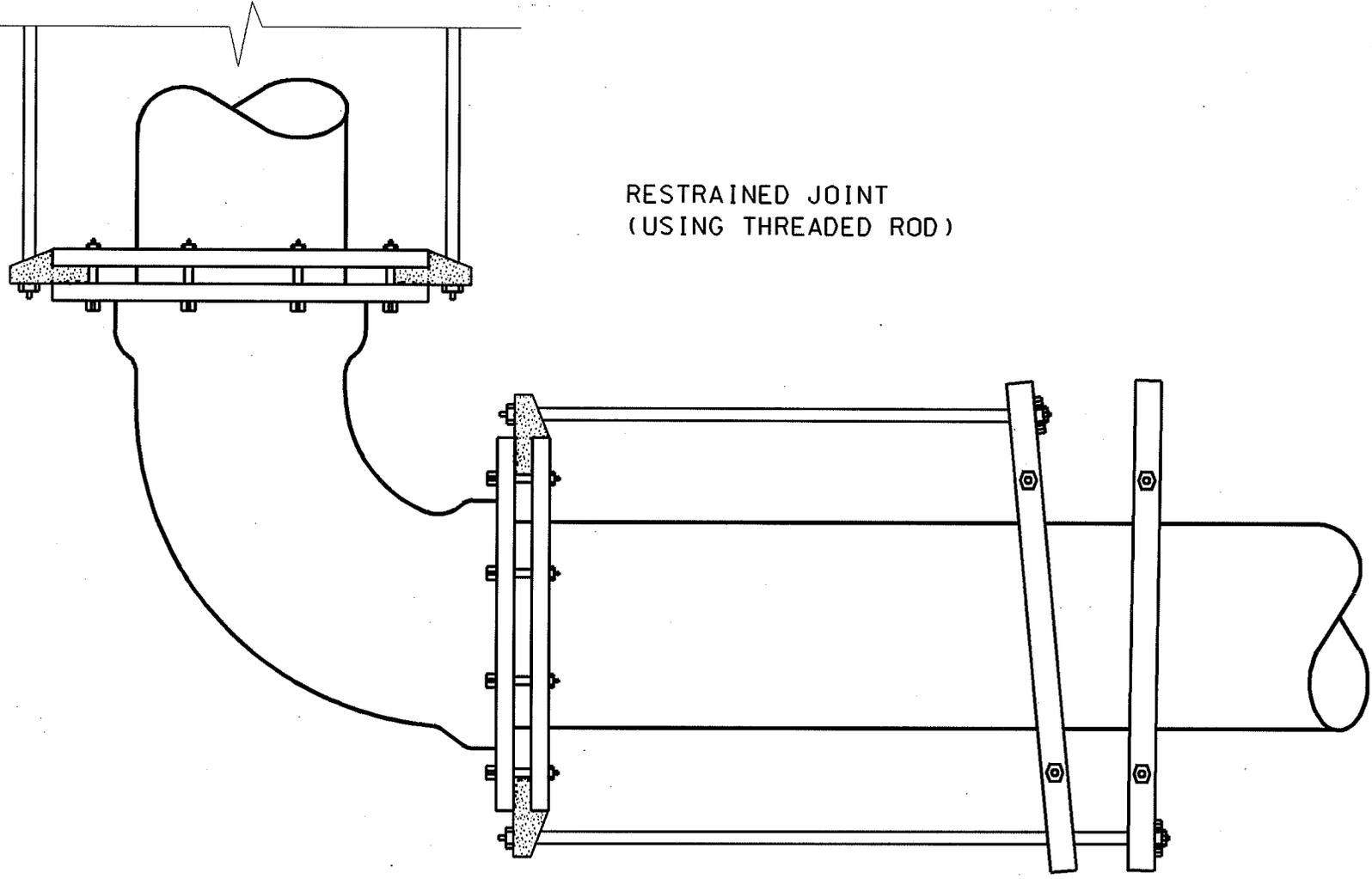


RESTRAINED JOINT  
(USING THREADED ROD)



7.02

2004

CITY OF MADISON  
WATER UTILITY

STANDARD  
THREADED RODDING

STANDARD DETAIL DRAWING 7.02